



Quick Reference Catalog

| Compressors | Valves | Wheel End Solutions | Air Treatment | Integrated Modules | Electronics |

DRIVING SAFER

DOESN'T HAPPEN BY ACCIDENT.

Our nation's roadways are increasingly busy, and the need has never been greater for solutions to help commercial vehicle drivers respond to the situations they encounter every day – especially in today's CSA (Compliance, Safety, Accountability) environment. Bendix is leading the way to improved highway safety with an ever-increasing portfolio of road-tested, advanced commercial vehicle technologies that are affordable and effective.

We offer robust active and supportive safety technologies that help fleets:

- » improve stability
- » reduce collisions
- » increase stopping power
- » strengthen driver performance with actionable data

**Our solutions are driving
in a new era of safety.**



©Bendix Commercial Vehicle Systems LLC, a member of the Knorr-Bremse Group. All Rights Reserved. 06/12

Learn more.

Call **1.800.247.2725** or visit **bendix.com** today. Follow us on Twitter @Bendix_CVS.



Product Group	Page	Product Group	Page	Product Group	Page
ABS & Stability - 13		Electronics - 15		Control Valves (continued)	
AT-3™ 103	103	ET-2™, ET-S2™ 117	117	PP-DC®, RD-3™ 36	36
ATR-1™, ATR-3™, ATR-6™ 104	104			SV-1™, SV-4™ 41	41
Axle Modules 103	103	Foundation Brakes - 22		TW-4™, TW-11™ 40	40
EC-60™ Contoller 99-101	99-101	Drive Axle Drum Brake 120	120	TC-4™, TW-1™ 38	38
EC-30™, Gen 4/5 Contoller 98	98	Steer Axle Drum Brake 119	119	TH-3™, TW-2™, TW-3™ 39	39
ESP®, PS-60™, YAS-60X™,		Trailer Axle Drum Brake 121	121		
YAS-70X™ Sensors 109	109			Inversion Valves	
M-30™, M-32™, M-32QR™ Modulators .. 102-103	102-103			TR-2™, TR-3™ 27	27
MC-30™, A-18™, MC-12™ 105	105	Indicating & Warning Devices - 06			
TABS-6™, BR9235™ 106-107	106-107	Air Horn Kits 71	71	Pressure Protection Valves	
WS-20™, WS-24™ Wheel Speed Sensors ... 108	108	DS-1™, DS-2™ 68	68	PR-2™, PR-4™ 28	28
Lane Departure Warning (LDW) Systems		SL-3™, SL-4™, SL-5™ 69	69	Pressure Reducing Valves	
Autovue® 112-113	112-113	LP-2™, TE-1™ 70	70	RV-3™ 29	29
		LP-3™ 71	71		
Radar Systems				Quick Release Valves	
Wingman® ACB, VORAD® VS-400 110-111	110-111	Slack Adjusters - 05		LQ-2™, QR-1C® 31	31
BlindSpotter® Radar, Side Speaker 114	114	ASA-5® Automatic Slack Adjuster 65	65	QR-L™ 29	29
Tire Pressure Monitoring System		Manual 63	63	QR-1®, QRN™ 30	30
SmarTire™ TPMS 115	115	Versajust® Automatic Slack Adjuster 64-65	64-65		
Diagnostic Tools		Yoke Adapters 64	64	Ratio, Limiting & Proportioning Valves	
RDU, TRDU, ACom®, Electronic Tools 116	116	Yoke Kits 66	66	LQ-4™ 31	31
				LQ-5™, BP-1™, BP-R1® 32	32
Actuators - 02		Tubing & Fittings - 07			
Brake Chambers, Diaphragms, Rotochambers,		C-1™, C-3™ 72	72	Relay Valves	
Spring Brakes, Springs, Yokes 16-21	16-21	C-5™ 73	73	R-6™, R-8™, R-8P™ 42	42
		DV-2™ 74	74	R-12®, R-12P™ 43	43
Air Brake System - 100		Reducer Bushings 78	78	R-7™ Modulating Valve 50	50
Coach, Double Train, School Bus,		Tubing, Tubing Clamps,		R-12DC® 44	44
Tractor, Towing Trailer, Truck 129-136	129-136	Tubing Inserts, Nylon Tubing 75	75	R-14® 45	45
		Tubing Fittings 76-79	76-79	RE-6®, RE-6NC™ 46	46
Air Disc Brake - 23		Air Brake Hose		Safety Valves	
ADB22X™, ADB225™, SB-7™		Hose, Hose Assembly, Hose Couplings, Hose		ST-3™ & ST-4™ 13, 47	13, 47
SN-7™, SK-7™ 122-123	122-123	Fittings & Suspension Spring 80-83	80-83		
		Dummy Couplings 84	84	Spring Brake Valves	
Air Dryers - 08				SR-1™, SR-2™, SR-4™, PR-3™ 48	48
AD-2®, AD-4® 86	86	Valves - 03		SR-5™, SR-7®, SRC-7000™ 49	49
AD-9® 86-87	86-87	Brake Valves			
AD-IP®, AD-IP®DI 89	89	E-2™, E-3™, E-5™ 22	22	Tractor Protection Valves	
AD-IS®, DRM™ 90-92	90-92	E-6®, E-8P®, E-10P™, E-10PR™ 23	23	TP-3®, TP-3DC™ 50	50
AD-SP® 88	88	E-12™, E-14™, E-15™, BVA-85™ 25	25	TP-4™, TP-5™ 51	51
Cartridge Guidelines 94-97	94-97	E-7™, E-10™ 24	24		
Cyclone DuraDrain™ 84	84	TC-2™, TC-6™, TC-7™ 26	26	Valve Changeover 61	61
EverFlow® Air Dryer Module 93	93	TCS-9000™ 27	27	Valve Maintenance Kits 52-60	52-60
PuraGuard®, PuraGuard® QC, AF-3™ 85	85				
Trailer System-Guard® 84	84	Check Valves			
		Double 28	28		
Compressors & Governors - 01		Single, Right Angle Check Valves 29	29		
Compressors, Inlet Gasket 2-3	2-3				
Compressor Changeover 15	15	Control Valves			
Engine Application 4-9	4-9	E-Z-Grip® Soft			
D-2®, SV-1™ Governors & Gaskets 14	14	Button Cover 35	35		
Inlet Check Valve 12	12	MV-3® 37	37		
Maintenance Kits, Service Parts 10-11	10-11	PP-1®, PP-2™, PP-3™ 33	33		
Safety Valve, Air Strainers,		PP-5™, PP-7™ 34	34		
Inlet Regulating Valve 13	13	PP-8™ 35	35		

Bendix® Compressor Sizes

BX-2150™ Compressor
9.5 CFM AT 1250 RPM



Tu-Flo® 400 Compressor
7.25 CFM AT 1250 RPM



Tu-Flo® 500 Compressor
12 CFM AT 1250 RPM



Tu-Flo® 501 Compressor
12 CFM AT 1250 RPM



Tu-Flo® 550 Compressor
13.2 CFM AT 1250 RPM



Tu-Flo® 600 Compressor
14.5 CFM AT 1250 RPM



Tu-Flo® 700 Compressor
15.5 CFM AT 1250 RPM



Tu-Flo® 750 Compressor
16.5 CFM AT 1250 RPM



Tu-Flo® 1000 Compressor
24 CFM AT 1250 RPM



Tu-Flo® 1400L Compressor
31 CFM AT 1250 RPM



DuraFlo 596™ Compressor
27 CFM AT 1250 RPM



BA-921® Compressor
15.8 CFM AT 1250 RPM



- Bendix air compressors are designed to meet a wide range of vehicle needs.
 - Several sizes and various mounting configurations are available.
 - Compressors are available remanufactured exchange.
- V.M.R.S. 13-009-000

Unless indicated, inlet & discharge locations are as shown.



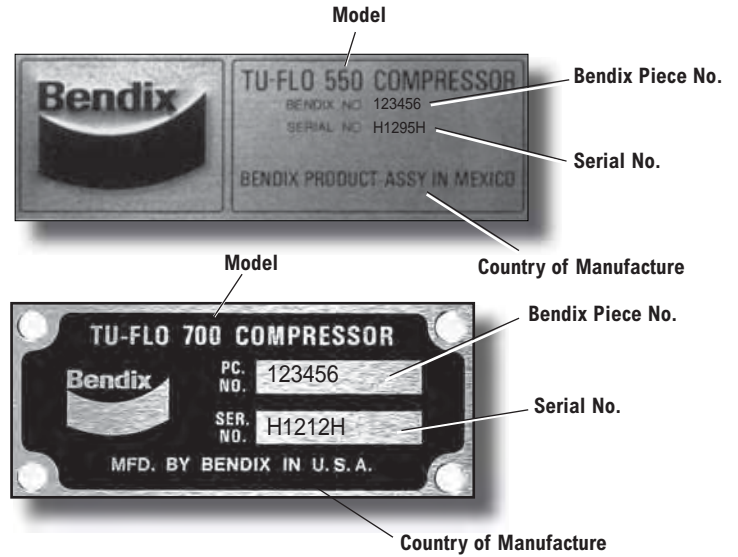
BA-922® Compressor
31.6 CFM AT 1250 RPM



Compressor Nameplates

A nameplate is attached to the crankcase of all compressors. It displays the model, piece number (PC. NO.) and serial number (SER. NO.). When making reference to a particular compressor, use the piece number (PC. NO.) stamped on the nameplate.

The serial number is interpreted as follows: First is an alpha character (A through M, skipping the letter I) representing January through December. The next four characters are numbers representing the day of the month followed by the year (two digits for each). The sixth and last character represents the manufacturing plant. For example serial number H1212H indicates the product was manufactured on August 12, 2012 in the Huntington, Indiana facility.



Gaskets



Inlet Flange Gasket Pc. No. 243430N

For all Bendix® Tu-Flo® Compressors
except Tu-Flo 300 Compressor

Service New Pc. No.	Compressor
5013553	Tu-Flo® 550/750
5016795	Tu-Flo® 501

Base Plate Gasket

For compressors with 1/2" bottom drain port

Phone Numbers:
1-800-AIR-BRAKE
(1-800-247-2725)

Fax: 440-329-9556

Bendix® BA-921® Remanufactured Compressors

w/core group and core class identification



CAT®
Core Group 1K

BA-921®
Air Compressor
(Core Class 2K)
C11 Acert®, C13 Acert
5014428X
(42 tooth drive gear)

external oil supply line

C15 Acert, C18 Acert
5012533X
(40 tooth drive gear)

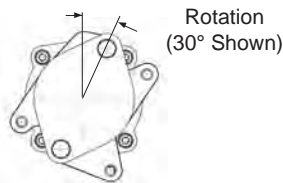


BA-921®
Air Compressor
(Core Class 2K)
5010806X

Rear Flange Rotation - 0°

BA-921®
Air Compressor
(Core Class 2K)
5014428X

Rear Flange Rotation - 30°



CAT

3126, C7 Acert, C9 Acert
Core Group 2K

Note: Flange gasket must be purchased from Caterpillar.



BA-921®
Air Compressor
(Core Class 2J)
5018485X

(63 tooth drive gear with a 21 tooth spline)

Governor pad included on cylinder head.

DDC®

Series 60
Core Group 1J

BA-921®
Air Compressor
(Core Class 2J)
5018653X
(63 tooth drive gear with a 21 tooth spline)



Navistar
IBB Side Mount
Core Group 1X

BA-921®
Air Compressor
(Core Class 1X)
K075155X

BA-921® Compressor Kits

Part No.	Description
Maintenance Kits	
5008559	Compressor Seal Kit
5008558	Cylinder Head Gasket Kit
K023601	Cylinder Head Kit - CAT C7/C9
K023600	Cylinder Head Kit - CAT C11/C13/C15/C18
K023764	Cylinder Head Kit - Navistar Max 11/13
5012367	Engine Interface Seal Kit - CAT C7/C9
5012369	Engine Interface Seal Kit - CAT C15/C18
5012371	Engine Interface Seal Kit - DDC S60
5014183	Governor Adapter Kit
K046477	Unloader Kit
5008557	Unloader Kit w/ Slotted Cap & Screws
5018768	Unloader Kit w/ Cap & Screws

Bendix® BA-922® Remanufactured Compressors

w/core group and core class identification

Caution!
Bendix® BA-922® air compressors cannot be turbocharged.



CAT®
Core Group 1P

BA-922®
Air Compressor
(Core Class 1P)
C11 Acert, C13 Acert
5013058X
(42 tooth drive gear)

BA-922®
Air Compressor
(Core Class 1P)
C15 Acert, C18 Acert
5013059X
(40 tooth drive gear)



DDC®
Core Group 1L

A changeover kit is required if replacing a Bendix® Tu-Flo® 750 or DuraFlo 596™ compressor. See BW2524 for additional information.

BA-922®
Air Compressor
(Core Class 1L)
Series 60 non-EGR & Series 50
5013695X
(69 tooth drive gear with a 21 tooth spline)

Equinox Engine
5012895X



DDC
Series 60 EGR
Core Group 1M

BA-922®
Air Compressor
(Core Class 1M)
5012895X
(63 tooth drive gear with a 21 tooth spline)



John Deere®
Tier 3 PowerTech Plus
Core Group 1N

BA-922®
Air Compressor
(Core Class 1N)
5016389X
(drive gear not included)

Bendix® BA-922® Compressor Kits

Part No.	Description
Maintenance Kits	
5014472	Cylinder Head Gasket Kit
K049446	Unloader Kit (or two Unloader Kits K046477)
5008557	Unloader Kit w/ Slotted Caps & Screws
5018768	Unloader Kit w/ Caps & Screws
5014183	Governor Adapter Kit
5008559	Compressor Seal Kit
K033300	Cylinder Head Replacement Kit - CAT C11, C13, C15 & C18
5012369	Engine Interface Kit - CAT C11, C13, C15, C18
5012371	Engine Interface Kit - DDC S60
5018827	Engine Interface Kit - John Deere
Changeover Kits	
5015871	Series 50 CNG Kit
5016263	Series 50 Diesel, Series 60 non-EGR (rear mount ECM)
5016728	Series 50 Diesel, Series 60 non-EGR (side mount ECM)

Bendix® Tu-Flo® 550 & Tu-Flo® 750 Remanufactured Compressors

w/core group and core class identification



CAT®
Core Group 1A

Tu-Flo® 550
Air Compressor
(Core Class 1A)
3406, C10, C12, C15, C16
5002984X
(rear end cover studs)
3176, C15, C16
5005790X

107509X
(2½° tilt)

Tu-Flo® 750
Air Compressor
(Core Class 2A)
3406, C10, C12, C15, C16
5002713X
(rear end cover studs)

3176, C15, C16
5002983X

107508X
(2½° tilt)



CAT
3116, 3126,
C7 Acert®, C9 Acert
Core Group 1A

Tu-Flo® 550
Air Compressor
(Core Class 1A)
5011016X

***5008249X**

107981X
(Left Inlet)

Tu-Flo® 750
Air Compressor
(Core Class 2A)
5004118X

Top inlet unless noted.
Removable rear flange cover.

* High torque thru drive.



CAT 3306
Core Group 1A

Tu-Flo® 550
Air Compressor
(Core Class 1A)
109251X

Tu-Flo® 750
Air Compressor
(Core Class 2A)
109287X



Cummins® ISB & C
Core Group 1E

37 tooth gear

Tu-Flo® 550
Air Compressor
(Core Class 1E)
108804X
(top air inlet)

109653X
(left air inlet)

Tu-Flo® 750
Air Compressor
(Core Class 2E)
109382X
(top air inlet)



Cummins
ISM, N14, M11
Core Group 1B

Tu-Flo® 550
Air Compressor
(Core Class 1B)
107506X

Tu-Flo® 750
Air Compressor
(Core Class 2B)
107507X

Optional Tu-Flo® 550 & 750 compressors available with premium crankshafts for severe duty applications. See Bendix bulletin TCH-001-054.



DDC®
Core Group 1D

Bendix® Tu-Flo® 550
Air Compressor
(Core Class 1D)
Series 60 non-EGR
5004188X
*(69 tooth gear
with a 21 tooth spline)*

Tu-Flo® 750
Air Compressor
(Core Class 2D)
**Series 60 non-EGR &
Series 50**
5004187X
*(69 tooth gear
with a 21 tooth spline)*

Bendix® BA-922® air compressor upgrade available.



DDC
Core Group 1C

Tu-Flo® 550
Air Compressor
(Core Class 1C)
Series 60 non-EGR
107622X
(21 tooth spline)

Tu-Flo® 750
Air Compressor
(Core Class 2C)
**Series 60 non-EGR &
Series 50**
107623X
(21 tooth spline)

Bendix® BA-922® air compressor upgrade available.



NPT Ports

International® V8
Pre-2004
Core Group 1I

Note: 300 pound maximum
side load on belts.

Tu-Flo® 550
Air Compressor
(Core Class 60)
T444E
107514X



International V8
2004 - 2006
Core Group 1I

*Engines built before 6/05 may
require kit pc. no. 5016415
for oil and water port adapters
- see Bendix Bulletin
TCH-001-055.*

Note: 300 pound maximum
side load on belts.



International V8
2007
Core Group 1I

Note: 300 pound maximum
side load on belts.

Tu-Flo® 550
Air Compressor
(Core Class 60)
VT365
5019445X
*(M18 water port &
M10 oil port)*



Volvo®
Core Group 1H

Tu-Flo® 550
Air Compressor
(Core Class 1H)
108937X

Bendix® Tu-Flo® 750
Air Compressor
(Core Class 2H)
108935X



NPT Ports

International® I-6
Pre-2004
Core Group 1G

Bendix® Tu-Flo® 550
Air Compressor
(Core Class 1G)
DT466, HT530
5004613X

Bendix® Tu-Flo® 750
Air Compressor
(Core Class 2G)
HT530
5004614X

Optional Bendix® Tu-Flo® 550 & 750 compressors available with premium crankshafts for severe duty applications. See Bendix bulletin TCH-001-054.



Bottom drain & metric ports

International I-6
2004 - 2006
Core Group 1G

Tu-Flo® 550
Air Compressor
(Core Class 1G)
DT466
5014144X

HT570
***5014488X**

Tu-Flo® 750
Air Compressor
(Core Class 2G)
HT570
***5014489X**

* Premium crankshaft for severe duty applications.



Bottom drain & metric ports

International I-6
2007
Core Group 1G

Tu-Flo® 550
Air Compressor
(Core Class 1G)
DT466
5019320X

HT570
***5019321X**

Tu-Flo® 750
Air Compressor
(Core Class 2G)
HT570
***5019322X**

* Premium crankshaft for severe duty applications.



Mack Extended
Core Group 1F

Tu-Flo® 550
Air Compressor
(Core Class 1F)
***108866X**
(Pre -1997)
5002865X

Tu-Flo® 750
Air Compressor
(Core Class 2F)
***5003729X**
(Pre -1997)
5002868X

* Head contoured for special clearance applications.

Other Common Bendix® Compressors

Model	Piece Number	Core Class
<u>Flange Mount</u>		
BX-2150™, CAT	108223X	26
DuraFlo 596™, CAT	5006570X	97
DuraFlo 596™, DDC	5005875X	97
Tu-Flo® 501, CAT/Mack	108213X	14
Tu-Flo® 501, CAT/Mack	103274X	14
Tu-Flo® 700, CAT	103278X	05
Tu-Flo® 700, DDC	289925X	05
Tu-Flo® 1000, CAT	108221X	64
<u>Base Mount</u>		
Tu-Flo® 501	286528X	59
Tu-Flo® 700	289350X	61

Don't see your compressor?

Please contact your Bendix Account Representative or call
1-800-AIR BRAKE (1-800-247-2725)
to talk with our Tech Team for a service replacement.



Engine Application

Flanges	Engines	Bendix® Compressor							
		Tu-Flo® 500	Tu-Flo® 501	Tu-Flo® 700	Tu-Flo® 1400	Tu-Flo® 550	Tu-Flo® 750	BA-921®	BA-922®
	CAT® 3406	-	286546X	289349X	-	-	-	-	-
	CAT 3406B	-	103274X	103278X	104583X	107509X	107508X	-	-
	CAT 3408	-	286552X	-	-	-	-	-	-
	CAT 3116	-	-	-	-	-	-	-	-
	CAT C11/C13 CAT C15/C18	-	-	-	-	-	-	-	5014428X 5012533X
Mack® 6 cylinder Mack (other)	284662X -	286544X 286620X	289340X -	- 104584	107511X -	- 107510X	- -	- -	- -
	CAT 3126, C7 and C9	-	-	-	-	-	-	5010806	-
	Cummins® NH, NTC, KT, KTA Series Engines (See bulletin TCH-001-002)	284718X* 284699X	286618X* 286554X	289339RX	-	107506X	107507X	-	-
	Detroit Diesel® 0° Tilt 45° Tilt	276962RX 285252X	286539X -	289941X 101158X	108779X -	107513X -	107512X -	- -	- -
	Series 60 0° Tilt	-	286619X❶	106780X❶	-	107622X❶	107623X❶	-	-
	Detroit Diesel	-	-	-	-	-	-	-	5013695X
	International® DT466 MT530 MT I-6	- - - -	- - - -	- - - -	- - - -	5014144X 5004613X 5014488X 5019320X 5019321X	- 5004614X 5014489X 5019322X	- - - -	- - - -

❶ Series 60 Compressors must be replaced with Series 60 Compressors only. Failure to do so will result in compressor damage.

*Top Discharge - Cylinder Head

**Bendix® Tu-Flo® 700 Compressor Cylinder Head incorporates both side & top discharge

Bendix® Compressor Maintenance and Service Kits

	Bendix® Compressor						
	U-7¼	E-12™ & F-12™	BX-2150™	Tu-Flo® 300	Tu-Flo® 400	Tu-Flo® 500	Tu-Flo® 501
NUMBER OF CYLINDERS	2	2	1	2	2	2	2
FIELD MAINTENANCE KIT	NA	NA	108848N 109356 (CAT)	229415N	229416	229417N	287043N
UNLOADER KIT	NA	NA	108847N	279613N	279614	279615N	279615N
GASKET SET	NA	NA	NA	NA	280511	280512N	101558
PISTON RING SETS (3) = 3 ring piston (4) = 4 ring piston (5) = 5 ring piston Unless otherwise indicated one piston ring set services the entire compressor.							
Standard Size	226721N	225514	104045	226778N	226721N (4) 289603N (3)	225514	106105N (5)
.010 O.S.	226722N	225515N	104046	226779	226722N (4) 289604 (3)	225515N	106106 (5)
.020 O.S.	226723N	225516N	104047	226780	226723N (4) 289605 (3)	225516N	106107 (5)
.030 O.S.	226724	225517N	104048	226781	226724 (4) 289606 (3)	225517N	106108 (5)
.040 O.S.	NA	NA	NA	NA	NA	NA	5005216
PISTON AND WRIST PIN KITS (5) = 5 ring piston * These piston and wrist pin kits have a selected fit. A set contains one piston & one pin. All other piston & wrist pin kits have a non-selected fit and each kit contains one piston, one wrist pin & two wrist pin buttons.							
Standard Size	NA	NA	104049	225704N*	289438N	289928N	106109N (5)
.010 O.S.	NA	NA	104050N	226630*	289439N	289929N	106110N (5)
.020 O.S.	NA	NA	104051	226631*	289440N	289930N	106111N (5)
.030 O.S.	NA	NA	104052	226632*	289441	289931N	106112N (5)
.040 O.S.	NA	NA	NA	NA	NA	NA	5005217
ALUMINUM CONNECTING RODS (services 1 connecting rod)							
Without Inserts	229083	NA	NA	NA	229083	NA	NA
With Std. Inserts	229082N	NA	102398RX (Std.) 107465RX (.010 O.S.) 107466RX (.020 O.S.)	227479 (Std.)	229082N	NA	NA
STEEL CONNECTING RODS (services 1 connecting rod)							
Without Inserts	NA	229085	NA	NA	NA	229085	286258
With Std. Inserts	NA	NA	NA	NA	NA	NA	286259
CONNECTING ROD INSERT KIT (services 1 connecting rod)							
Standard Size	282763N	282767N	NA	NA	282763N	282767N 287062N(M)	286254N 287058N(M)
.010 O.S.	282764N	282768N	NA	NA	282764N	282768N 287063(M)	286255N 287059N(M)
.020 O.S.	282765N	282769N	NA	NA	282765N	282769N 287064(M)	286256N 287060N(M)
.030 O.S.	282766N	282770N	NA	NA	282766N	282770N	286257N 287061N(M)
.040 O.S.	NA	NA	NA	NA	NA	NA	5005218 5005219(M)
PISTON RINGS AND CONN. ROD KIT (services the entire compressor)	NA	NA	NA	NA	NA	NA	NA
CRANKSHAFT BEARING KIT	NA	NA	NA	NA	NA	NA	NA

(M) For Mack® style compressors with power steering driven by the compressor crankshaft.

NA - Not Available



Bendix® Compressor Maintenance and Service Kits

	Bendix® Compressor							
	Tu-Flo® 550	Tu-Flo® 600	Tu-Flo® 700	Tu-Flo® 750	Tu-Flo® 1000	Tu-Flo® 1400	BA-921®	BA-922®
NUMBER OF CYLINDERS	2	2	2	2	4	4	1	2
FIELD MAINTENANCE KIT	107516N	229417N	289998N	107516N	229417N (2 req'd.)	104592	NA	NA
UNLOADER KIT	107515N	279615N	279615N	107515N	279615N (2 req'd.)	279615N (2 req'd.)	K046477	K049446 (or two K046477 kits)
GASKET SET	NA	101559	101559	NA	NA	NA	5008558	5014472
PISTON RING SETS (3) = 3 ring piston (4) = 4 ring piston (5) = 5 ring piston Unless otherwise indicated one piston ring set services the entire compressor.								
Standard Size	107639N	282525N (5)	282525N	5005361	288646	282525N (2 req'd.)	NA	NA
.010 O.S.	107640	282526N (5)	282526N	5005362	288647N	282526N (2 req'd.)	NA	NA
.020 O.S.	107641	282527N (5)	282527N	5005363	288648	282527N (2 req'd.)	NA	NA
.030 O.S.	107642	282528N (5)	282528N	5005364	288649	282528N (2 req'd.)	NA	NA
PISTON AND WRIST PIN KITS (5) = 5 ring piston * These piston and wrist pin kits have a selected fit. A set contains one piston & one pin. All other piston & wrist pin kits have a non-selected fit and each kit contains one piston, one wrist pin & two wrist pin buttons.								
Standard Size	107647	289891N	289891N	107643	289928N	289891N	NA	NA
.010 O.S.	107648	289892N	289892N	107644	289929N	289892N	NA	NA
.020 O.S.	107649	289893	289893N	107645	289930N	289893N	NA	NA
.030 O.S.	107650	289894	289894N	107646	289931N	289894N	NA	NA
ALUMINUM CONNECTING RODS (services 1 connecting rod)								
Without Inserts	NA	NA	NA	NA	NA	NA	NA	NA
With Std. Inserts	NA	NA	NA	NA	NA	NA	NA	NA
STEEL CONNECTING RODS (services 1 connecting rod unless otherwise noted)								
Without Inserts	108841 (serv. 2)	229085	229085	108841 (serv. 2)	289029	229085	NA	NA
With Std. Inserts	NA	NA	NA	NA	NA	NA	NA	NA
CONNECTING ROD INSERT KIT (services 1 connecting rod unless otherwise noted)								
Standard Size	107651 (serv. 2)	282767N 287062N(M)	282767N	107651 (serv. 2)	282751N	282767N	NA	NA
.010 O.S.	107652 (serv. 2)	282768N 287063(M)	282768N 287063(M)	107652 (serv. 2)	282752N	282768N	NA	NA
.020 O.S.	107653 (serv. 2)	282769N 287064(M)	282769N 287064(M)	107653 (serv. 2)	282753N	282769N	NA	NA
.030 O.S.	107654 (serv. 2)	282770N	282770N	107654 (serv. 2)	282754N	282770N	NA	NA
PISTON RINGS AND CONN. ROD KIT (services the entire compressor)	108843 (std.) 5000334 (.010 O.S.) 5000333 (.020 O.S.) 5000332 (.030 O.S.)	NA	NA	108842N (std.) 5000331 (.010 O.S.) 5000330 (.020 O.S.) 5000329 (.030 O.S.)	NA	NA	NA	NA
CRANKSHAFT BEARING KIT	107969N	NA	NA	107969N	NA	NA	NA	NA

(M) For Mack® style compressors with power steering driven by the compressor crankshaft.

NA - Not Available

See pages 4 and 5 for additional Bendix® BA-921® and BA-922® compressor kits.

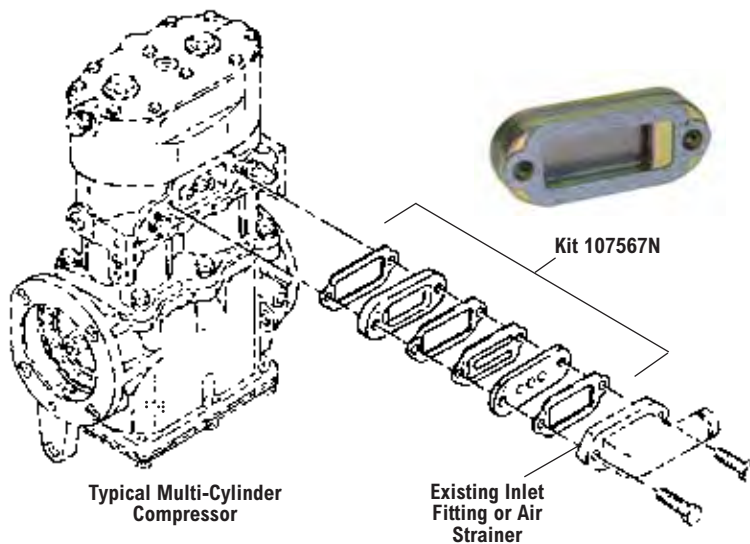
Inlet Check Valve

The inlet check valve may be used on naturally aspirated compressors to prevent oil misting during the unloaded cycle. **Do Not** use the inlet check valve if the compressor inlet is connected to the pressure side of the supercharger or turbocharger.

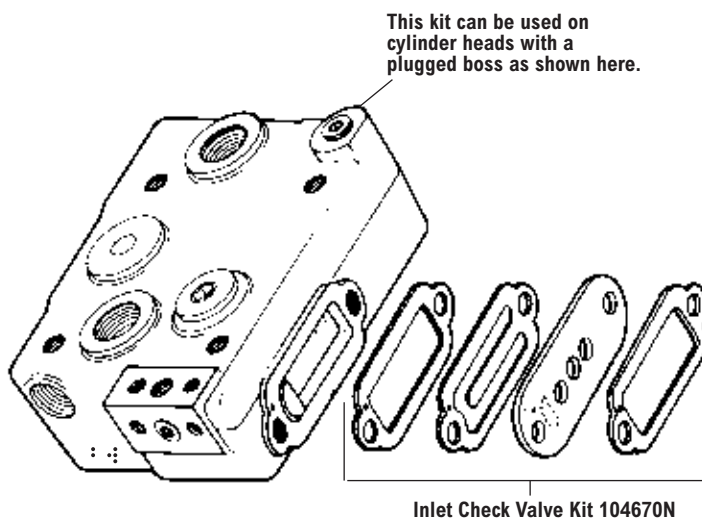
Important: *Installation of the inlet check valve assembly must be as shown in all illustrations.*

Applications & Kits

Bendix® Compressor	Kit	Comments
Tu-Flo® 300	–	
Tu-Flo® 400	107567N	
BX-2150™	See Illustration & Notes Below	
Tu-Flo® 500	107567N	
Tu-Flo® 501	107567N	
Tu-Flo® 550	107567N	
Tu-Flo® 700	107567N	
Tu-Flo® 750	107567N	
Tu-Flo® 1000	107567N	Two kits required
Tu-Flo® 1400	107567N	Two kits required



Inlet Check Valve Kit 104670N for Bendix® BX-2150™ Compressor Cylinder Heads



Bendix® ST-4™ Safety Valve

V.M.R.S. 13-010-073

ST-4™ Safety Valve Pc. No.	Used in Conjunction with	Pressure Setting	Thread	No. of Holes
131081		250 psi	1/2-14 NPT	2
800019		150 psi	1/2-14 NPT	2
800154		250 psi	1/2-14 NPT	2
800155		200 psi	1/4-18 NPT	1
800350	Dryer Reservoir Module	153 psi	1/4-18 NPT	1
800533		250 psi	3/4-16 UNF-2A	2
800534		250 psi	M16 x 1.5-6H	2
801116		250 psi	7/8-14 UNF-2A	2



See the valve section of this catalog for additional safety valves.

Air Strainers

Service New Pc. No. includes air strainer & hardware.
Can not be used on a Tu-Flo® 300 compressor.

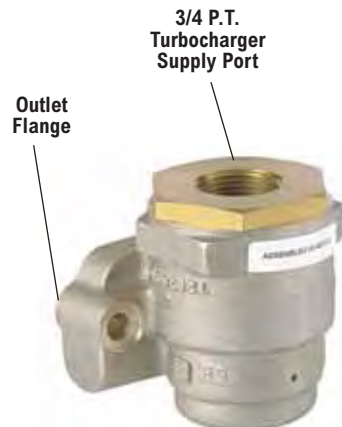


Air Strainer Kit Pc. No.	Service New Pc. No.	Replacement Filter
278500N	279901N	243009N



Air Strainer Kit Pc. No.	Service New Pc. No.	Filter & Gasket Kit	Replacement Filter
227785N	226469N	277157	239292N

Bendix® Inlet Regulating Valve



Service New Pc. No.
104171N

Do not use on a Bendix® BX-2150™ Compressor.
Can not be used on a Bendix® Tu-Flo® 300 Compressor.

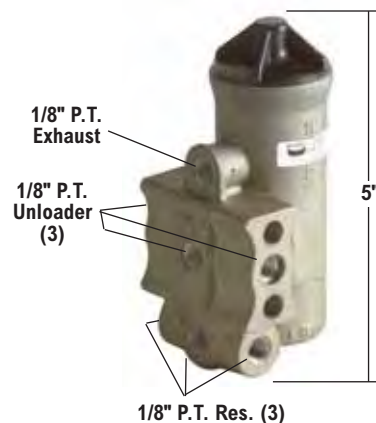
Bendix® D-2® Governor

- Available Remanufactured Exchange
- Maintenance Kit With High Temperature O-Rings Pc. No. 280915
- Maintenance Kit With Standard O-Rings 276121N
- Mounting Gasket 5007834
- Governor Check Valve Kit 5004049
- Operating cut-in and cut-out pressures are adjustable to OE equivalent pressures except for the non-adjustable governor.

V.M.R.S. 13-010-018

Reman. Exch. Pc. No.	Service New Pc. No.	Pressure Range P.S.I.	Comments
-	065018	100-120	Non-Adjustable
-	275200N	90-105	-
275491RX	275491N	100-120	-
-	275508N	95-110	-
-	275530N	120-150	-
275707RX	275707N	105-125	-
-	277486N	110-130	-
-	283657N	115-135	-
284358RX	284358N	105-125	See Note 1
-	800361N	105-130	Non-Adjustable

1 Governor supplied with high temperature o-rings and waterproof cover



Bendix® D-2® Governor



Bendix® D-2A™ Governor
(Non-Adjustable)

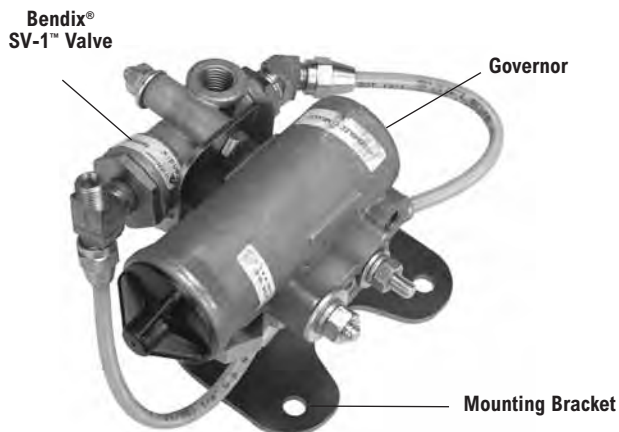
Governor Maintenance Kit Contents
276121N and 280915



Bendix® D-2®/SV-1™ Module

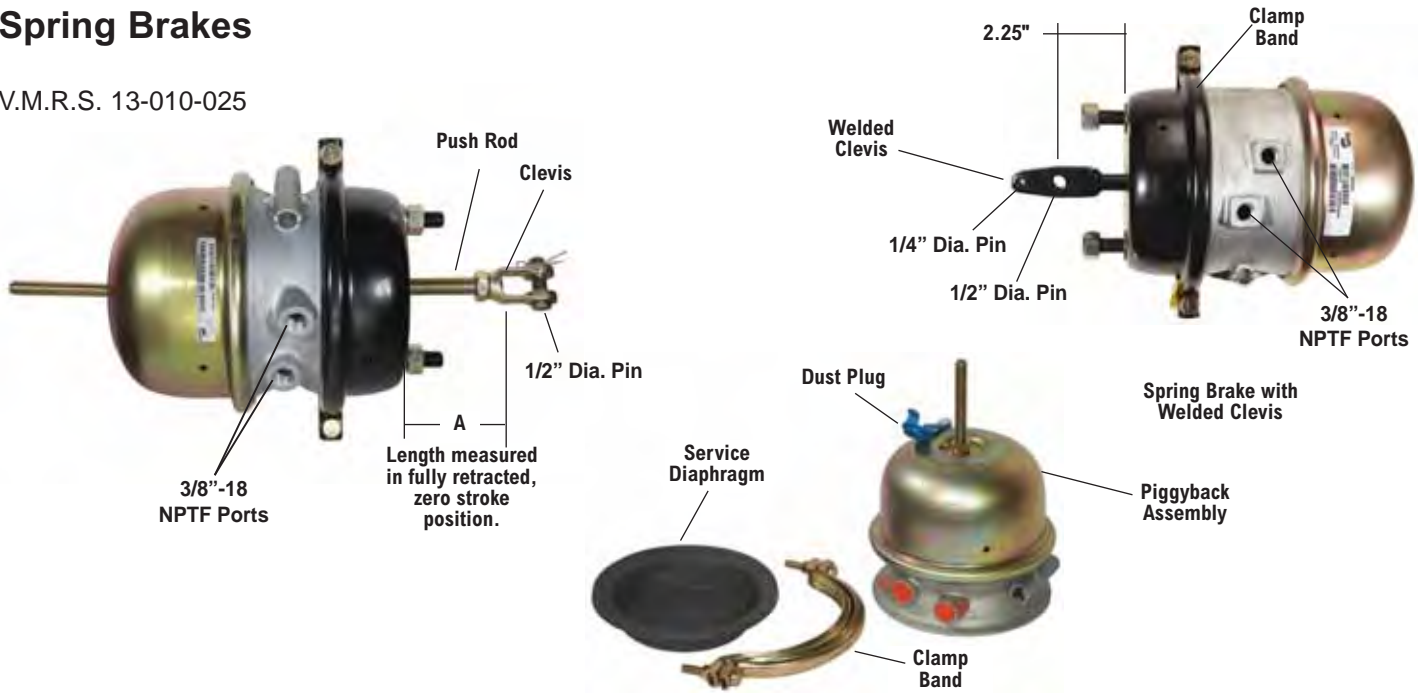
Used in conjunction with the DuraFlo 596™ Compressor.

Service New Pc. No.	Type
5005365N	Steel Piston SV-1™ Valve 130 PSI
5007116	Standard D-2®/SV-1™ Module
5007404N	(High Temperature) w/unloader hose D-2®/SV-1™ Module



Spring Brakes

V.M.R.S. 13-010-025



Model & Type	Stroke	A Push Rod Length ¹	Spring Brake Service New Pc. No.		Piggyback Kit ³	Piggyback	Rubber Service Diaphragm ⁴	Clamp Band	Dust Plug ⁵	Service Return Spring
			w/o Clevis	w/Clevis ²						
SB-4™ 20/24	2.25"	8.20"	800828	5007129	K027229	5007123	802488	800908		
SB-4™ 24/24	2.50"	8.00"	800829	5007130	K027230	5007124	802489	800909	K034202	800919
		9.75"	K026559	—						
SB-4™ 24/30	2.50"	8.00"	800830	5007131	K027231	5007125	802489	800909	K034202	800920
		9.75"	K026561	—						
SB-4™ 24/30 ELS	3.00"	7.80"	5010434	5010402	5011593	801376N	801378	800909	K034202	800920
EverSure® 30/30	2.50"	5.62"	NT3030STD-56	NT3030STD-56TC	NT3030STD-KIT	NT3030STD-PIG	K037502	800910	K057632	800919
		7.80"	NT3030STD-78	NT3030STD-78TC						
		9.75"	K049898	—						
		12.00"	NT3030STD-120	NT3030STD-120TC						
		2.25" Welded Clevis	—	NT3030STD-WC						
EverSure® 30/30 ELS	3.00"	8.00"	NT3030ELS-80	NT3030ELS-80TC	NT3030ELS-KIT	NT3030ELS-PIG	801379	800910	K057632	800920
		9.91"	NT3030ELS-99	—						
		2.25" Welded Clevis		NT3030ELS-WC						
SB-4™ 30/36	2.50"	7.80"	800832	5007133	K024654	5007127	802490	800910	802067	800919
SB-4™ 36/36 ELS	3.00"	8.50"	800833	5007134N	K027243	5007128	802491	800911	802067	800920

¹ Push rod length measured in the fully retracted, zero stroke position.

² Yoke piece number 228790N is included. See yoke information below.

³ Piggyback kit includes: Piggyback assembly, clamp bands with hardware, and a rubber service diaphragm.

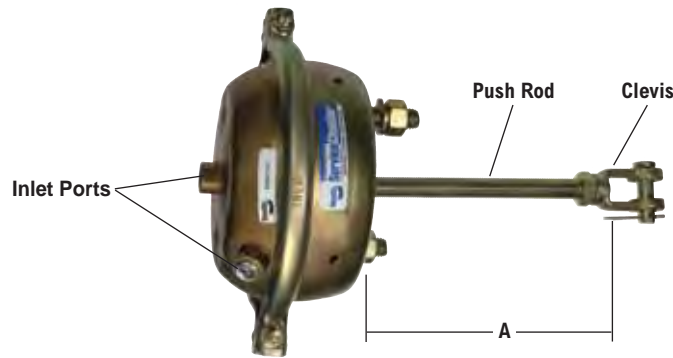
⁴ Service diaphragm piece number 802490 should be used when servicing earlier Bendix® Type 30/30 spring brake assemblies with a 2.50" stroke.

⁵ Dust plug piece number K034202 should be used if servicing earlier Bendix® SB-4™ Type 30/30 spring brake assemblies.

Brake Chambers

Fully Threaded Push Rod

V.M.R.S. 13-010-034



Brake Chamber with Welded Clevis

Brake Chamber Type	Stroke	Service New Pc. No. w/o Yoke	A Push Rod Length	Service New Pc. No. w/Yoke	Inlet Port Size	Push Rod Thread	Rubber Diaphragm	Clamp Band	Spring
Standard Yoke									
12	1.75"	800822	8.60"	5007117N	1/4"-18 NPTF	1/2"-20 UNF	802486	800906	800918
16	2.25"	800823	8.60"	5007118N	1/4"-18 NPTF	1/2"-20 UNF	802487	800907	
20	2.50"	802990	8.20"	800824	3/8"-18 NPTF	5/8"-18 UNF	802488	800908	800919
24	2.50"	802986	7.80"	800825	3/8"-18 NPTF	5/8"-18 UNF	802489	800909	
24 ELS	3.00"	—	8.00"	K025365	3/8"-18 NPTF	5/8"-18 UNF	801378		
30	2.50"	800826	7.60"	5007121N	3/8"-18 NPTF	5/8"-18 UNF	802490	800910	800920
30 ELS	3.00"	K025360	8.00"	K025365	3/8"-18 NPTF	5/8"-18 UNF	801379	800910	
36 ELS	3.00"	800827	8.40"	5007122N	3/8"-18 NPTF	5/8"-18 UNF	802491	800911	800920
Welded Clevis									
20	2.50"	—	2.25"	K058715	3/8"-18 NPTF	5/8"-18 UNF	802488	800908	800919
24	2.50"	—	2.25"	K058691	3/8"-18 NPTF	5/8"-18 UNF	802489	800909	800919
24 ELS	3.00"	—	2.25"	K058753	3/8"-18 NPTF	5/8"-18 UNF	801378	800909	800920
30	2.50"	—	2.25"	K058721	3/8"-18 NPTF	5/8"-18 UNF	802490	800910	800919
30 ELS	3.00"	—	2.25"	K058740	3/8"-18 NPTF	5/8"-18 UNF	801379	800910	800920

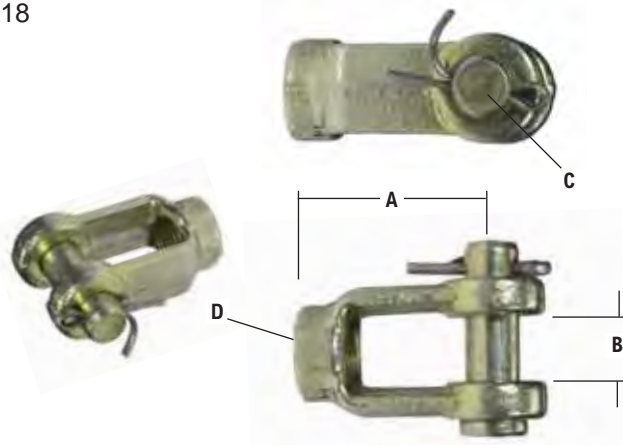


Diaphragm

Clevis / Yoke Assemblies

For Brake Chambers & Rotochambers

V.M.R.S. 13-004-018

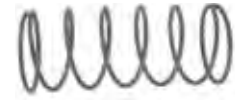
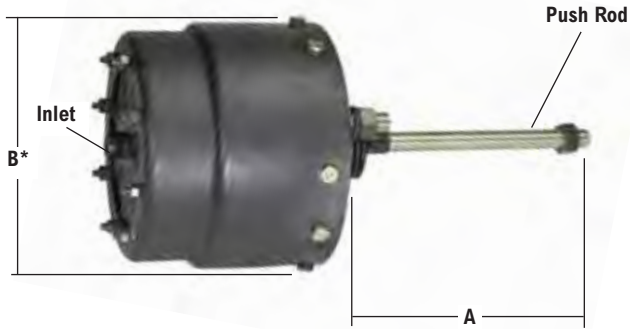


Yoke Assembly Pc. No.	A End to Pin	B Slot Width	C Pin Dia.	D Thread Size
205948N	1-3/4"	9/16"	1/2"	1/2-20
228790N	1-3/4"	9/16"	1/2"	5/8-18
228798N	1-3/4"	9/16"	5/8"	5/8-18
229496N	1-7/8"	13/16"	3/4"	5/8-18
282592N	2"	13/16"	3/4"	3/4-16

Rotochambers

V.M.R.S. 13-010-034

Fully Threaded Push Rod



Spring



Diaphragm

Type	Service New Pc. No.	Port Size (NPT)	A Push Rod Length	Push Rod Thread	B Diameter*	Diaphragm Material and Size			Spring
						Rubber	Neoprene	C Diameter	
9	229814N	1/4"-18	13"	1/2"-20	4-3/4"	231472	236524	4-5/16"	231481
12	229815	3/8"-18	11"	1/2"-20	5-9/32"	231506	236525	4-27/32"	231513
16	229816N	3/8"-18	7-7/8"	1/2"-20	5-7/8"	231525	236526	5-7/16"	231531
20	229817N	3/8"-18	6-7/8"	1/2"-20	6-13/32"	231982	236527	5-31/32"	231933
24	229818N	1/4"-18	5-13/16"	1/2"-20	6-15/16"	231516	236528	6-7/16"	231522
30	229819N	1/4"-18	9-1/16"	5/8"-18	7-17/32"	231543	236529	7-3/32"	231549
36	229820N	1/4"-18	8-1/16"	5/8"-18	8-5/32"	231534	236530	7-21/32"	231540
50	229821N	3/8"-18	10-15/16"	3/4"-16	9-13/32"	231491	236531	8-29/32"	231498

* Diameter "B" measurement includes the bolt heads.

Bendix® EverSure® Air Disc Brake Spring Brake Chamber

V.M.R.S. 13-010-025



Type	Stroke	Spring Brake Service New Pc. No.	Diaphragm Kit	Clamp Ring Kit	Dust Plug	Bellows Kit
16/24	2.25"	K042457	K052484	K090235	K034202	K090594
18/24	2.25"	K043329	K052484			
20/24	2.50"	K041960	K052486	K090236		
22/24	2.50"	K043148	K052487	K090237		
24/24	2.50"	K043270	K052488			

The chamber type is noted as TXX/5.6kN on the chamber. Note that 5.6kN refers to the force of the power spring.

Air Disc Brake spring brake chamber for trailers piece number K026451 has been replaced by piece number K043329.

Bendix® NG-3™ Piston Style Spring Brake Chamber

V.M.R.S. 13-010-025



Type	Stroke	Spring Brake Service New Pc. No.	Diaphragm Kit	Clamp Ring Kit	Bellows Kit
14/24	2.25"	K026735	—	—	K090594
16/24	2.25"	K026731	K052484	K090235	
18/16	2.25"	K027557	K052485		
18/24	2.50"	K025670	K052486	K090236	
20/24	2.50"	K025669	K052486		
22/24	2.50"	K026737	K052488	K090237	
24/24	2.50"	K026734	K052488		

For additional air disc brake information refer to section 23 of this catalog.

Air Disc Brake Service Chambers

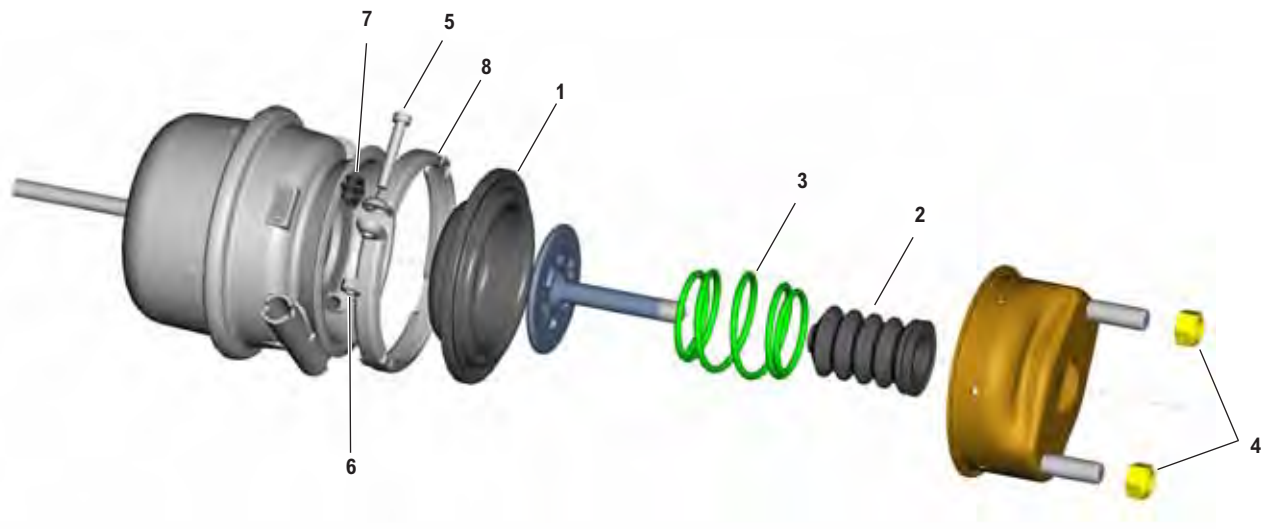
V.M.R.S. 13-010-034



Type	Service New Pc. No.	Stroke	Diaphragm Kit	Clamp Ring Kit	Bellows Kit
12	K028227	2.25"	—	—	K090594
14	K028039	2.25"			
16	K028226	2.25"	K052484	K090235	
18	K028022	2.50"	K052486	K090236	
20	K028225	2.50"	K052486		
22	K028238	2.50"	K052487	K090237	
24	K028252	2.50"	K052488		

For additional air disc brake information refer to section 23 of this catalog.

Maintenance Kits for Air Disc Brake Chambers



Item No.	Description	Kit Contents		
		Diaphragm Kit	Clamp Ring Kit	Bellows Kit
1	Diaphragm	1	—	—
2	Bellow	1	—	1
3	Spring	1	—	—
4	Lock Nut	2	—	2
5	Screw	1	1	—
6	Hex Nut	1	1	—
7	Spacing Sleeve	1	1	—
8	Clamp Ring	—	1	—
9	Grease Packet (not shown)	1	—	1

Caution: Be sure to follow the instruction sheet included in the kit when servicing.
 The replacement diaphragm must match the original diaphragm.
 The clamp band torque is 28 Nm. (20 ft-lbs)
 The mounting nut torque is 180 Nm. (133 ft-lbs)

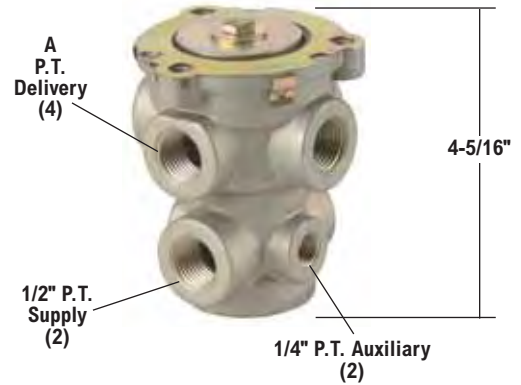
For additional air disc brake information refer to section 23 of this catalog.

Bendix® E-2™ Brake Valve (Basic)

- Available Remanufactured Exchange
- Maintenance Kits
 - Pc. No. 276119N Minor Repair
 - Pc. No. 289324N Major Repair

Treadle and Mounting Plate not furnished. If required, refer to master Parts Catalog.
V.M.R.S. 13-010-019

Reman. Exch. Pc. No.	Service New Pc. No.	A Pipe Thread (Delivery)
229500RX	229500N	3/8"
229501RX	229501N	1/2"

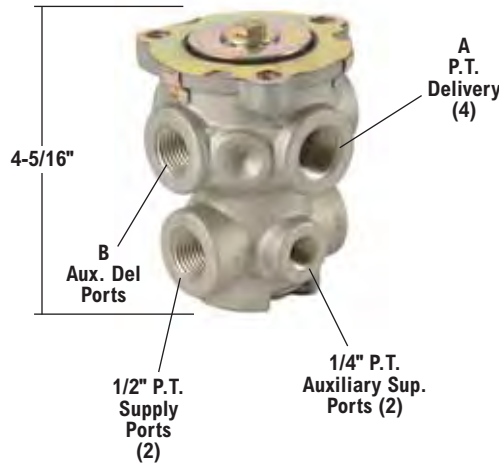


Bendix® E-3™ Brake Valve (Basic)

- Available Remanufactured Exchange
- Maintenance Kits
 - Pc. No. 276119N Minor Repair
 - Pc. No. 289329N Major Repair

Treadle and Mounting Plate not furnished. If required refer to master Parts Catalog.

V.M.R.S. 13-010-019



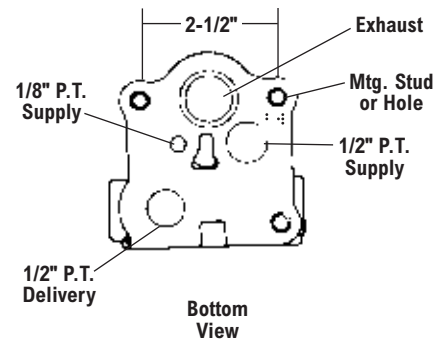
Reman. Exch. Pc. No.	Service New Pc. No.	A Pipe Thread (Delivery)	B Auxiliary Ports
277863RX	277863N	1/2"	NONE
278998RX	278998	1/2"	2-1/4"

Bendix® E-5™ Brake Valve (Basic)

- Available Remanufactured Exchange
- Maintenance Kits
 - Pc. No. 281084N Minor Repair
 - Pc. No. 289334N Major Repair

Pedal and Mounting Plate not furnished. If required, refer to master Parts Catalog.

V.M.R.S. 13-010-019



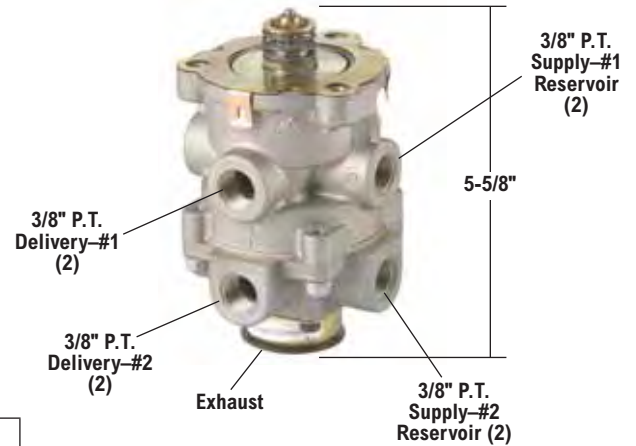
Service New Pc. No.
279950N

Bendix® E-6® Dual Brake Valve (Basic)

- Available Remanufactured Exchange
- Maintenance Kits
 - Pc. No. 287368N Minor Repair
 - Pc. No. 5019319 Minor Repair - High Temp
 - Pc. No. 289335 Major Repair

Treadle and Mounting Plate not furnished. If required, refer to master Parts Catalog.

V.M.R.S. 13-010-051



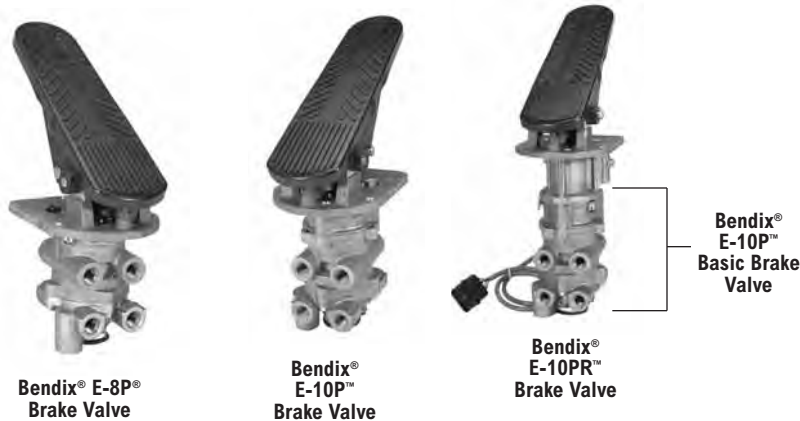
Reman. Exch. Pc. No.	Service New Pc. No.	Comments
286171RX	286171N	
-	802911	High Temp.

Bendix® E-8P®, E-10P™ & E-10PR™ Dual Brake Valves

- Maintenance Kits
 - Pc. No. 287368N Minor Repair
 - Pc. No. 289335 Major Repair

V.M.R.S. 13-010-051

Service New Bendix® E-8P® Brake Valve	Replaces Bendix® E-12™ Brake Valve	Comments*
800629	065313, 800583	Lower Body Rotated 90°
800630	065458	Lower Body Rotated 90°
800631	065460, 800407	1/2" NPT Exhaust
802924	-	High Temp
800599	-	PTC Fittings



Service New Bendix® E-10P™ Brake Valve	Replaces Bendix® E-15™ Brake Valve
800632	065315
	800318

Service New Bendix® E-10P™ Brake Valve	Replaces Bendix® E-15R™ Brake Valve
800632	800319

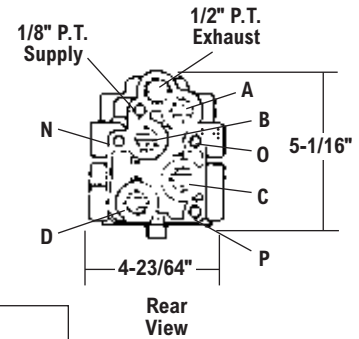
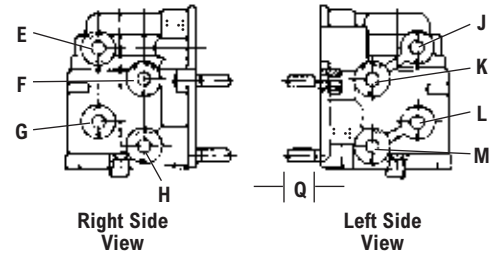
*PTC - Push-To-Connect Fittings

Bendix® E-7™ Dual Brake Valve (Basic)

- Available Remanufactured Exchange
- Maintenance Kits
Pc. No. 289352N Minor Repair
Pc. No. 289353 Major Repair

Pedal and Mounting Plate not furnished. If required, refer to master Parts Catalog.

V.M.R.S. 13-010-051



Reman. Exch. Pc. No.	Service New Pc. No.	Port Thread Sizes & Locations												Mtg. Studs in Positions "N", "O" "P" Above	Stud Length Q	Stud Thread Size
		A	B	C	D	E	F	G	H	J	K	L	M			
†284760RX	†284760N	No Thd	No Thd	No Thd	No Thd	1/4	-	1/4	-	-	-	-	-	No	-	-
286773RX	286773	1/2	1/2	1/2	1/2	1/4	1/4	1/4	1/4	1/4	1/4	1/4	1/4	Yes	1-1/2"	3/8"-24
286775RX	-	1/2	1/2	1/2	1/2	1/4	1/4	1/4	1/4	1/4	1/4	1/4	1/4	Yes	3/4"	3/8"-16
287411RX	287411N	1/2	1/2	1/2	1/2	1/4	1/4	1/4	1/4	3/8	3/8	3/8	3/8	No	-	-
*287564RX	*287564N	1/2	1/2	1/2	1/2	1/4	3/8	1/4	3/8	1/4	1/4	1/4	1/4	Yes	15/16"	3/8"-16
*288383RX	*288383N	1/2	1/2	1/2	1/2	1/4	1/4	1/4	1/4	1/4	1/4	1/4	1/4	No	-	-
101818RX	101818N	1/2	1/2	1/2	1/2	1/4	3/8	1/4	3/8	1/4	3/8	1/4	3/8	No	-	-

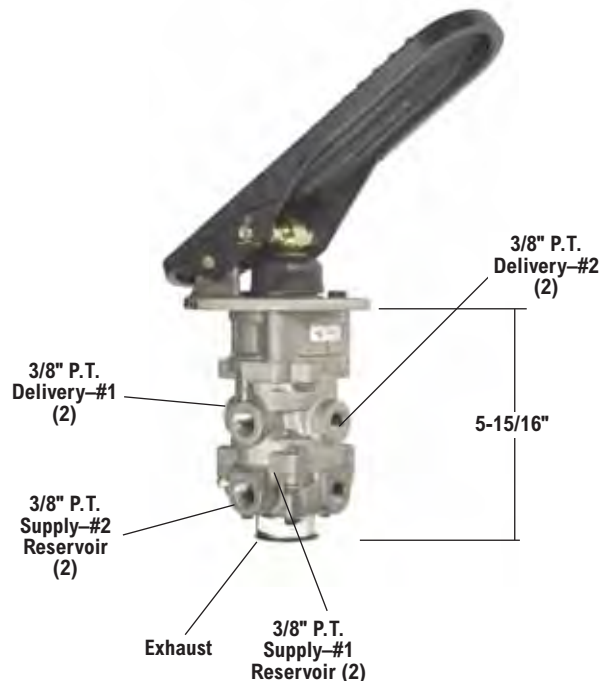
† Ford® Basic Valve Kit: Includes a basic valve and 10 sealing rings.
* Exhaust port contains a diaphragm.

Bendix® E-10™ Dual Brake Valves (Basic)

- Maintenance Kit
Pc. No. 102100

Treadle and Mounting Plate not furnished. If required, refer to master Parts Catalog.

V.M.R.S. 13-010-051

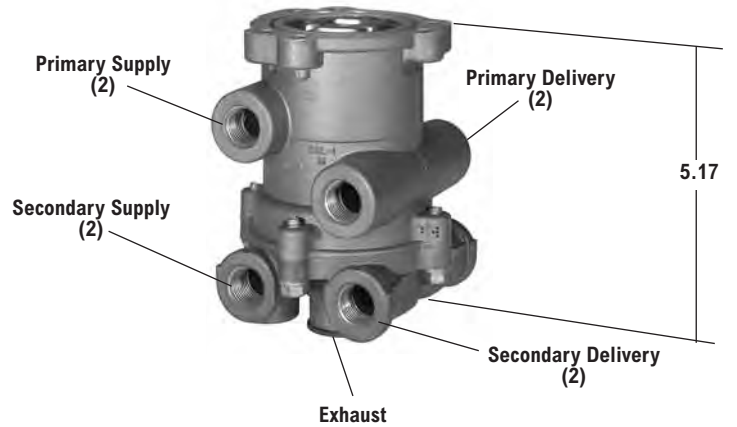


Reman Exch. Pc. No.	Service New Pc. No.
101100RX	101100N

Bendix® E-12™ & E-15™ Dual Brake Valves

- Maintenance Kit Pc. No. 108367 Minor Repair

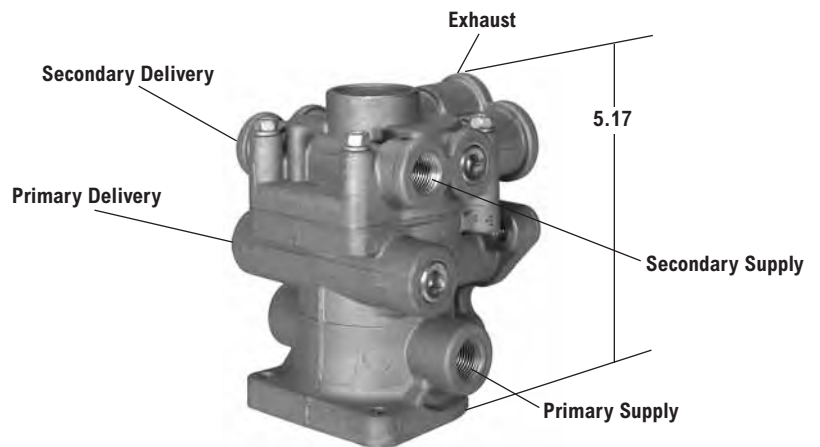
V.M.R.S. 13-010-051



Bendix® E-14™ Dual Brake Valve (Basic)

- Maintenance Kit Pc. No. 108367 (Minor Repair)

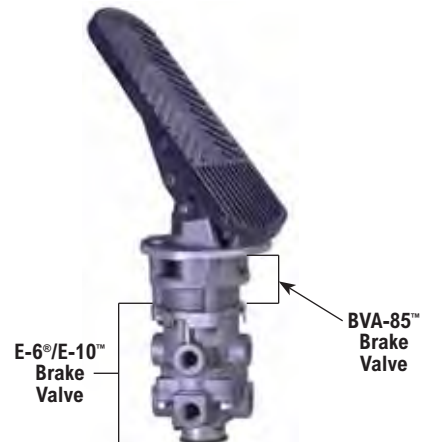
V.M.R.S. 13-010-051



Bendix® BVA-85™ Brake Valve Actuator

Service New Pc. No.	Comments*
5009593	1/4" PTC Port
5009594	1/4" NPT Port
K039060	1/4" NPT Port - High Temp.

*PTC - Push-To-Connect Fittings

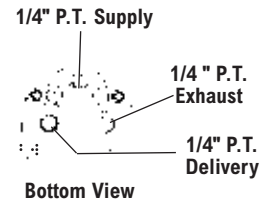
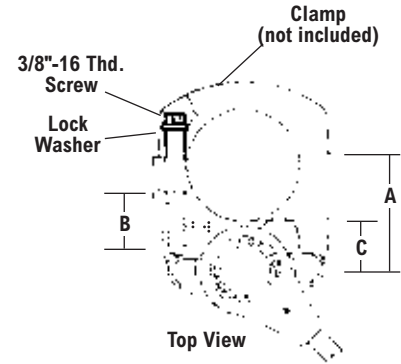


Bendix® TC-2™ Brake Valve (Basic)

- Available Remanufactured Exchange
- Maintenance Kit Pc. No. 276122

Handle not furnished, if required refer to master parts catalog.

V.M.R.S. 13-010-014



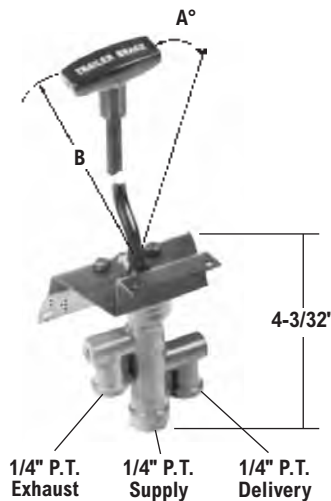
Reman. Exch. Pc. No.	Service New Pc. No.	Graduated Range Pressure (psi)	Final Delivery Pressure (psi)	A	B Thd./Drill Depth	C
-	101460	5-125	125	2.35"	1.4"	.97"
276270RX	276270N	5-80	Reservoir	3.44"	1.1"	2.1"
-	800172	5-125	Reservoir	1.25"	Through	.09"
-	800173	5-80	80	1.25"	Through	.09"
-	802634	5-80	80	3.44"	1.1"	2.1"

Bendix® TC-6™ Brake Valve

- Maintenance Kit Pc. No. 289890

Mounting Plate not furnished, if required refer to master parts catalog.

V.M.R.S. 13-010-159



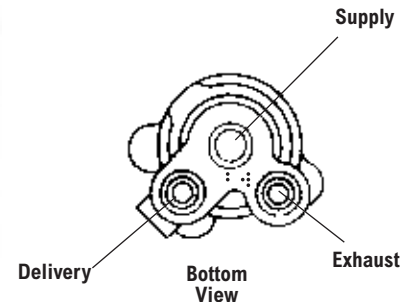
Service New Pc. No.	Handle		Final Delivery Pressure (psi)
	A°	B	
065512	55	7.03"	85
106385	55	8.93" Self-returning	85
101786N	75	8.52"	120
289884N	75	4.5"	120
289885N	75	4.5"	50
5003601N	55	8.9"	85

Bendix® TC-7™ Brake Valve

- Maintenance Kit Pc. No. 102145

Handle and Mounting Bracket not furnished, if required refer to master parts catalog.

V.M.R.S. 13-010-159



Service New Pc. No.	Comments	Handle Travel	Final Delivery Pressure	Ports*
101860	Positioning	71° CW	Reservoir	1/4" PT
102394N	Self-returning	71° CW	Reservoir	1/4" PT
102707	Positioning	50° CW	80 psi	1/4" PT
108233N	Self-returning	50° CW	80 psi	1/4" PT
800960	Positioning	71° CW	Reservoir	3/8" PTC
802672	Self-returning	71° CW	Reservoir	3/8" PTC

*PTC - Push-To-Connect Fittings

Bendix® TCS-9000™ Control Valve

Service New Pc. No.	Supply	Delivery	Comments	Handle Text
802033	3/8"	3/8"	Self-returning	No Handle Cap
K031988	3/8"	3/8"	Self-returning	No Handle Cap
K024944	1/4"	1/4"	Self-returning	Rear Brake
K024946	3/8"	3/8"	Self-returning	Trailer Brake
K024947	3/8"	3/8"	Self-returning	Rear Brake
K024948	3/8"	3/8"	Positioning	Trailer Brake - Not for Parking



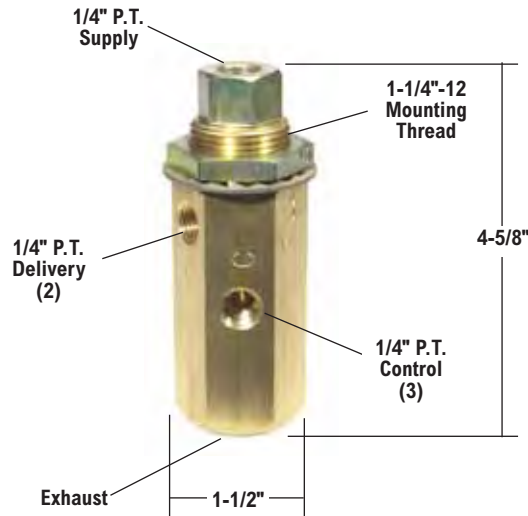
*PTC – Push-To-Connect Fittings

Bendix® TR-2™ Inversion Valve

- Available Remanufactured Exchange
- Maintenance Kit 281138N

V.M.R.S. 13-010-047

NOTE: With 125 psi supply pressure, valve must begin to exhaust at 65 psi nominal ascending control pressure. Valve must deliver full supply pressure with 40 psi nominal descending control pressure.



Reman. Exch. Pc. No.	Service New Pc. No.
277340RX	277340N

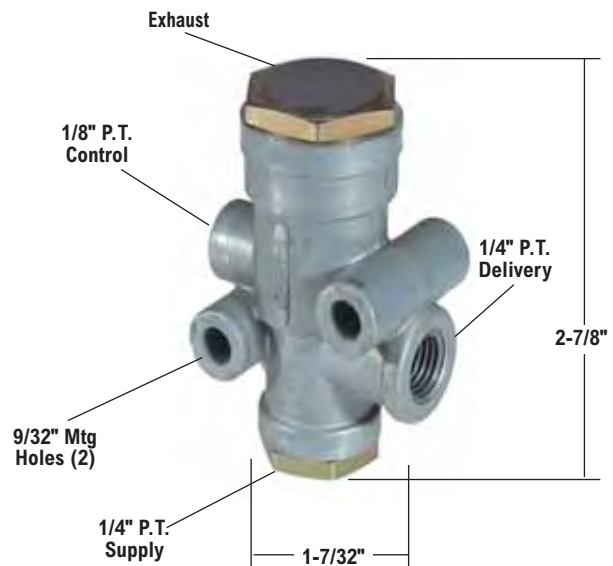
Bendix® TR-3™ Inversion Valve

- Available Remanufactured Exchange

V.M.R.S. 13-010-047

NOTE: With common control & supply pressure, inlet opens at "A" descending pressure and exhaust opens at "B" ascending pressure.

Reman. Exch. Pc. No.	Service New Pc. No.	A (psi)	B (psi)
--	280758N	45	60
281318RX	281318N	35	70
281459RX	281459N	25	40
*101450RX	*101450N	25	40



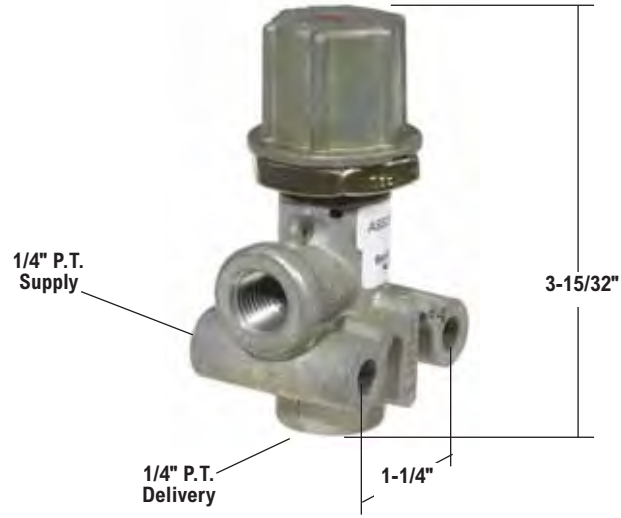
*Special-Duty Bus Application

Bendix® PR-2™ Pressure Protection Valve

V.M.R.S. 13-010-044

With Adjustable Pressure Setting.

Reman. Exch. Pc. No.	Service New Pc. No.	Nominal Closing Pressure (psi)	Comments
277147RX	277147N	65	
277148RX	277148N	85	
-	277222N	95	
277226RX	277226N	60	
-	277227N	75	
-	279505N	65	w/lockwire
-	281467N	50	-
-	282517N	60	w/lockwire



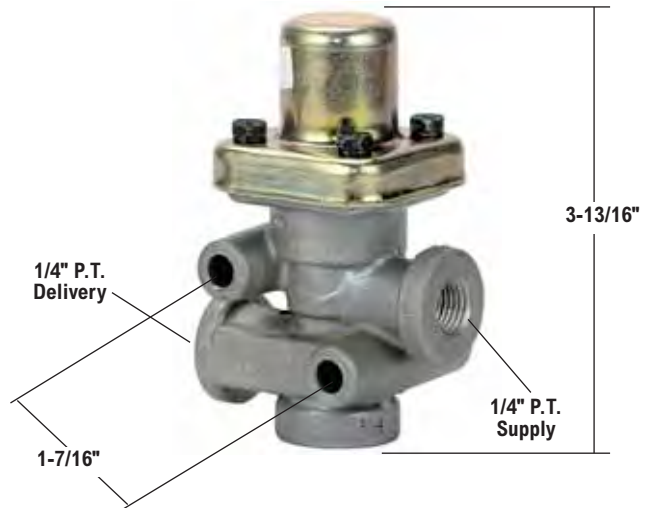
Bendix® PR-4™ Pressure Protection Valve

• Maintenance Kit Pc. No. 287366
(Note: Not for use with Pc. No. 103976N)

V.M.R.S. 13-010-044

Fixed Pressure Setting.

Reman. Exch. Pc. No.	Service New Pc. No.	Nominal Closing Pressure (psi)	Supply & Delivery Ports
286500RX	286500N	85	1/4"
288323RX	288323N	70	1/4"



Bendix® Double Check Valves

V.M.R.S. 13-010-092



Service New Pc. No.	Pipe Thread Dimensions		
	A	B	C
278614N	3/8"	3/8"	3/8"
278615N	1/4"	1/4"	1/4"

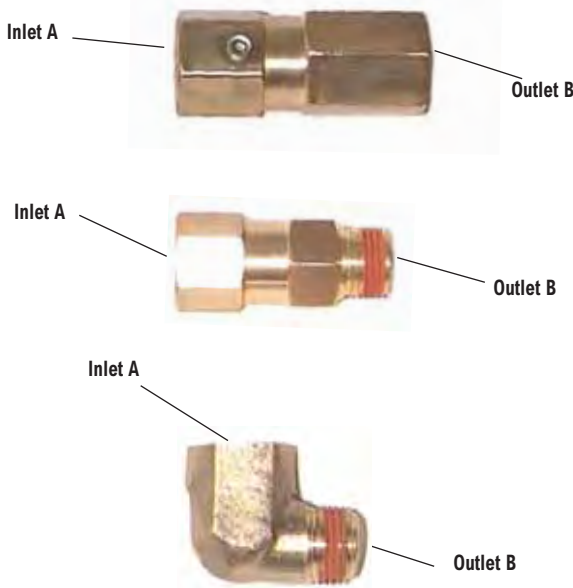


Service New Pc. No.	Pipe Thread Dimensions			
	A	B	C	D
278595N	1/4"	1/4"	1/2"	1/4"
278596N	3/8"	3/8"	1/2"	1/4"
278597N	1/4"	1/4"	3/8"	1/4"
278598N	3/8"	3/8"	3/8"	1/4"
280809N	3/8"	3/8"	3/8"	3/8"

Bendix® Single Check Valves

• Bendix® SC-3™ valves replace both the Bendix® SC-1™ and SC-2™ valves

V.M.R.S. 13-010-013



Single Check Valve: Female inlet – Female outlet		
A	B	Service New Pc. No.
1/4"	1/4"	801144
1/2"	1/2"	800370
3/4"	3/4"	800369

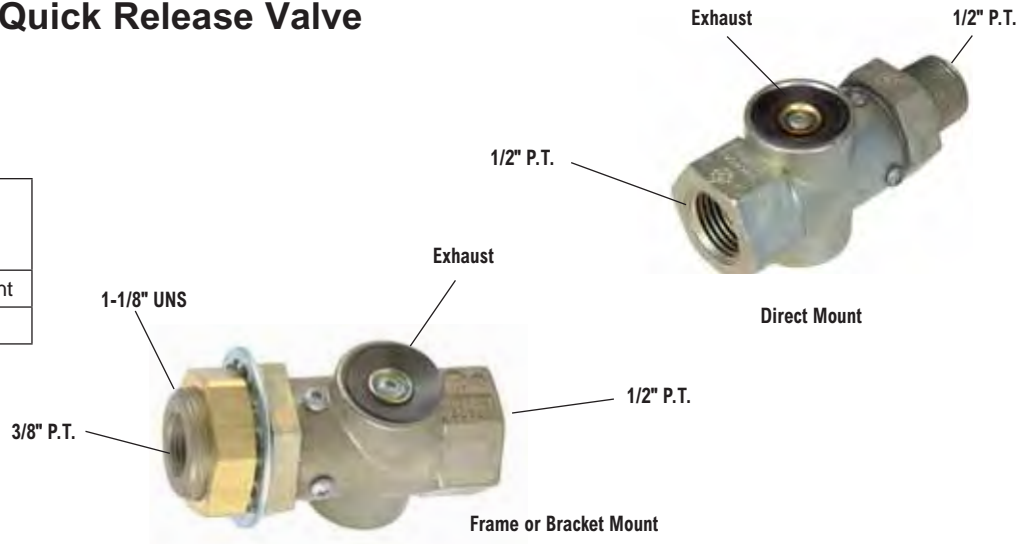
Single Check Valve: Female inlet – Male outlet		
A	B	Service New Pc. No.
1/4"	1/8"	800374
1/4"	1/4"	800375
3/8"	3/8"	800373
1/2"	1/2"	800372

Single Check Valve: Female inlet – Male outlet		
A	B	Service New Pc. No.
1/2"	1/2"	800376

Bendix® QR-L™ Inline Quick Release Valve

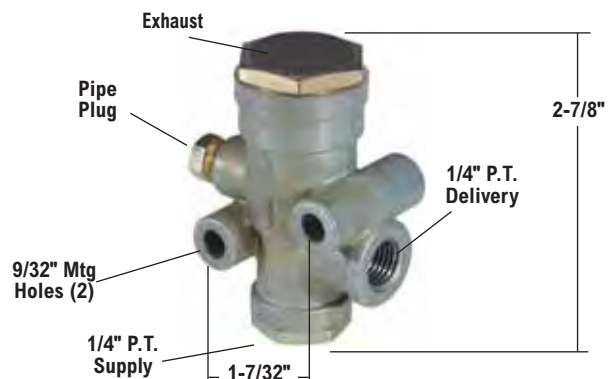
V.M.R.S. 13-010-008

Service New Pc. No.	Comments
800332	Frame or Bracket Mount
800333	Direct Mount



Bendix® RV-3™ Pressure Reducing Valve

Service New Pc. No.	Delivery Pressure (psi)
101837N	85
107154N	44

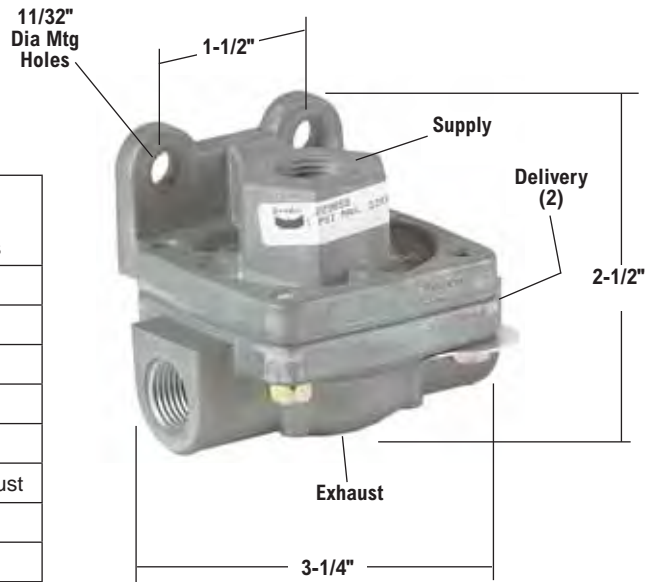


Bendix® QR-1® Quick Release Valve

- Available Remanufactured Exchange
- Use maintenance kit piece no. 260519 to convert 0 psi crack pressure valves to 1 psi

V.M.R.S. 13-010-008

Reman. Exch. Pc. No.	Service New Pc. No.	Supply Port (PT)	Delivery Ports (PT)	Crack Pressure (psi)	Comments
229813RX	229813N	3/8"	1/4"	0	
229844RX	229844N	1/2"	1/4"	0	
229859RX	229859N	3/8"	3/8"	0	
229860RX	229860N	1/2"	3/8"	0	
281024RX	281024N	1/4"	1/4"	0	
288251RX	288251N	3/8"	3/8"	0	3/8" PT Exhaust
278483RX	278483N	1/2"	3/8"	5-8	
-	102344N	3/8"	3/8"	10-16	
289525RX	289042N	3/8"	1/4"	1 max	w/ insert
289525RX	289525N	3/8"	3/8"	1 max	w/ insert



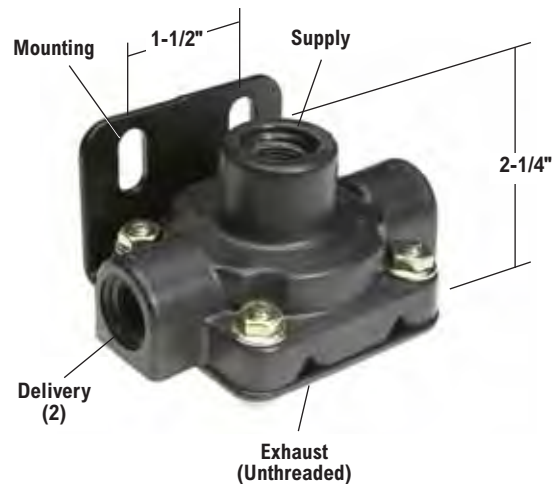
Bendix® QRN™ Quick Release Valve

- Maintenance Kit 104463

V.M.R.S. 13-010-008

Service New Pc. No.	Supply Port (P.T.)*	Delivery Ports (P.T.)*	Crack Pressure (psi)	Mounting
802745	1/2"	3/8"	1 Max	.34 holes
802743	3/8"	3/8"	1 Max	.34 holes
802741	3/8"	3/8"	5-8	.34 holes
802744	3/8"	3/8"	1 Max	.34 x .75 slots
065213	3/8"	3/8"	4.5-7.5	.34 x .75 slots
065214	3/8"	3/8"	2-4.5	.34 x .75 slots
802742	1/2"	3/8"	5-8	.34 holes
065311	1/2"	3/8"	4.5-7.5	.34 x .75 slots
065347	1/2"	3/8"	2-4.5	.34 x .75 slots
800439	1/2"	3/8"	2-4.5	-
K049771	1/2"	3/8"	0	.34 holes
K049772	3/8"	3/8"	0	.34 holes
K049774	1/2" PTC	1/2" PTC	0 PSI	.34 holes

*PTC - Push-To-Connect Fittings

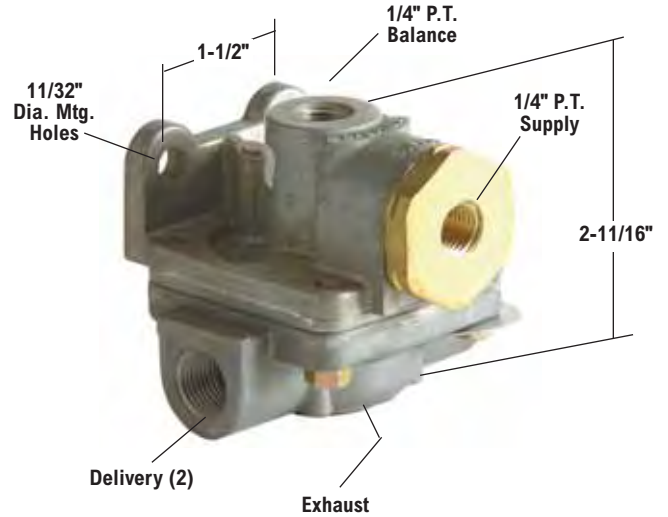


Bendix® QR-1C® Quick Release Valve

- Available Remanufactured Exchange
- Use maintenance kit piece no. 260519 to convert 0 psi crack pressure valves to 1 psi

V.M.R.S. 13-010-008

Reman. Exch. Pc. No.	Service New Pc. No.	Delivery Port (P.T.)	Exhaust Port (P.T.)	Crack Pressure (psi)
289182RX	289182N	1/4"	–	0
289714RX	289714N	3/8"	–	0
–	107881N	3/8"	1/2" w/ Silencer	0
–	800539	3/8"	–	1 Max
–	109094N	3/8"	–	5-8

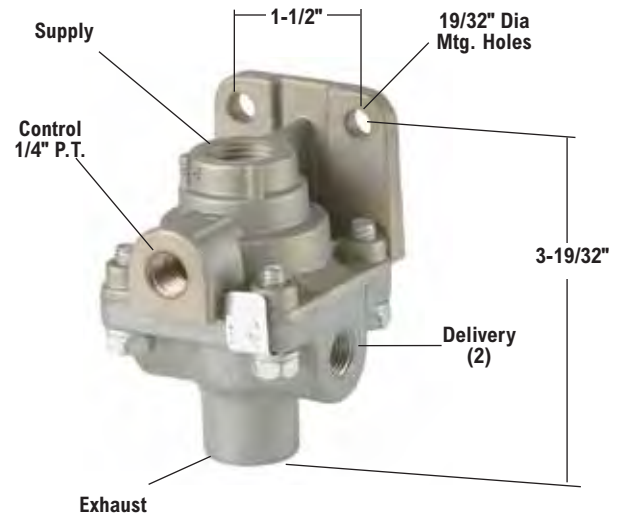


Bendix® LQ-2™ Limiting and Quick Release Valve

- Available Remanufactured Exchange
- Maintenance Kit 282098N

V.M.R.S. 13-010-008

Reman. Exch. Pc. No.	Service New Pc. No.	Supply Port (P.T.)	Delivery Port (P.T.)	Exhaust Port (P.T.)
229505RX	229505N	3/8"	3/8"	–
229507RX	229507N	1/2"	1/4"	–
229509RX	229509N	3/8"	1/4"	–
288417RX	288417N	3/8"	3/8"	3/8"

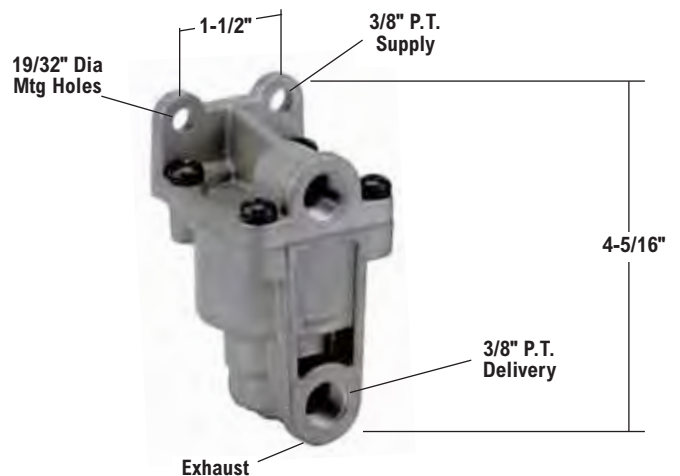


Bendix® LQ-4™ Front Axle Ratio Valve

- Available Remanufactured Exchange
- Maintenance Kit 289500N

V.M.R.S. 13-010-034

Reman. Exch. Pc. No.	Service New Pc. No.	Nominal Hold Off Pressure (psi)	Nominal Equalizing Pressure (psi)
101311RX	101311N	20	70
289144RX	289144N	4	60
289148RX	289148N	10	65

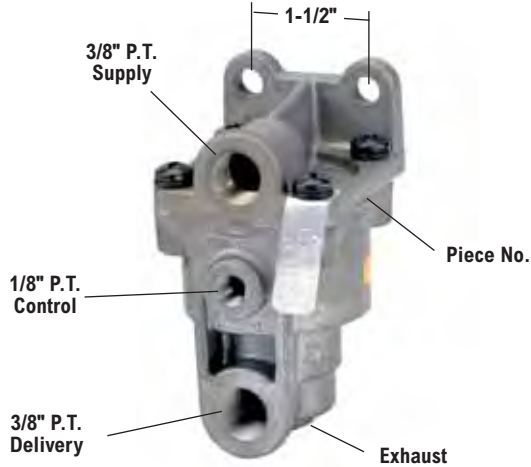


Bendix® LQ-5™ Bobtail Limiting Valve

- Available Remanufactured Exchange
- Maintenance Kit 107195

V.M.R.S. 13-010-010

Reman. Exch. Pc. No.	Service New Pc. No.
065154RX	065154



Bendix® BP-1™ Air Brake Proportioning Valve

- BP-1™ Air Brake Proportioning Valve Front Maintenance Kit 104710
- BP-1™ Air Brake Proportioning Valve Rear Maintenance Kit 104711

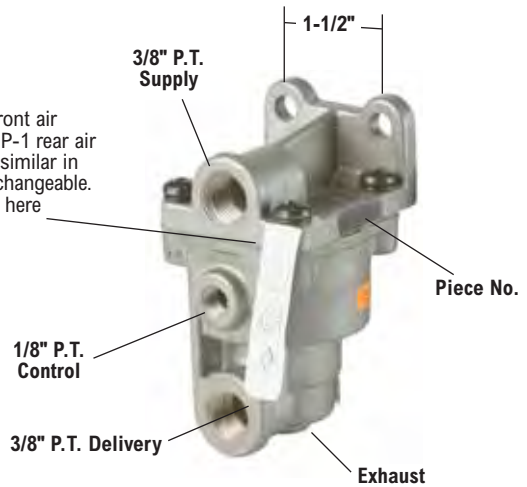
V.M.R.S. 13-010-222

Front Service New Pc. No.	Nominal Hold Off Pressure (psi)	Nominal Equalizing Pressure (psi)
104598N	4	50

V.M.R.S. 13-010-222

Rear Service New Pc. No.	Nominal Inshot Pressure (psi)	Nominal Equalizing Pressure (psi)
106284	8	105

Caution: The Bendix® BP-1™ front air brake proportioning valve & BP-1 rear air brake proportioning valve are similar in appearance but are NOT interchangeable. Note identification tag located here



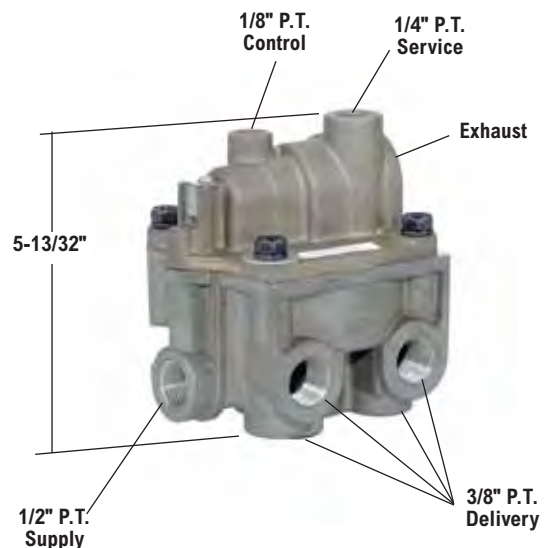
- Field Installation Kit **209924** (vehicles *with* front axle limiting)

BP-R1® Bobtail Brake Proportioning Relay Valve

- Maintenance Kit 106932
- Universal Mounting Bracket 296010N furnished with Exchange Valve

V.M.R.S. 13-010-222

Reman. Exch. Pc. No.	Service New Pc. No.	Crack Pressure
065145RX	065145N	4
065146RX	065146N	5.5



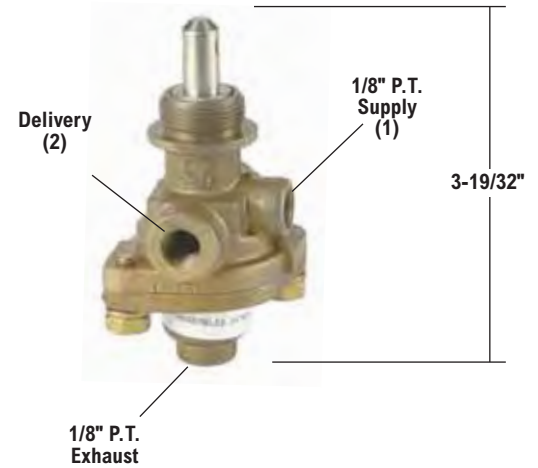
Bendix® PP-1® Control Valve

- Available Remanufactured Exchange
- Maintenance Kit 281126N
- Button and Mounting Nut not furnished with Exchange Valve
- Refer to Master Parts Catalog for Button or Dial Plate Pc. No.

V.M.R.S. 13-010-016

Reman. Exch. Pc. No.	Service New Pc. No.	Automatic Release Pressure (psi)	Delivery Port (P.T.)
276566RX	276566N	20	1/8"
276567RX	276567N	40	1/8"
278450RX	278450N	—	1/8"
*281587RX	—	40	1/8"
283828RX	283828N	60	1/8"
287417RX	287417N	30	1/4"
287600RX	287600N	40	1/4"

*Remote controlled

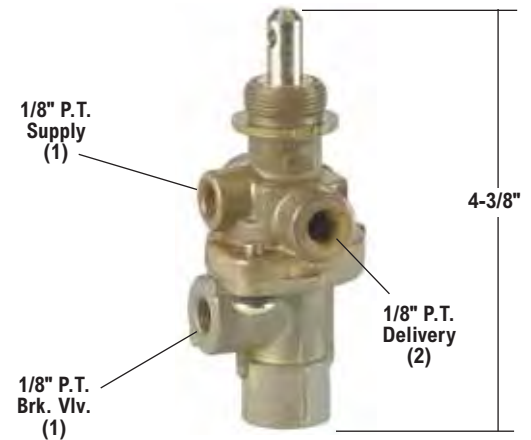


Bendix® PP-2™ Control Valve (Pressure Balanced)

- Available Remanufactured Exchange
- Maintenance Kit 281127N
- Button and Mounting Nut not furnished with Exchange Valve
- Refer to Master Parts Catalog for Button or Dial Plate Pc. No.

V.M.R.S. 13-010-104

Reman. Exch. Pc. No.	Service New Pc. No.	Automatic Release Pressure (psi)
276462RX	276462N	40



Bendix® PP-3™ Control Valve (Automatic Tripper)

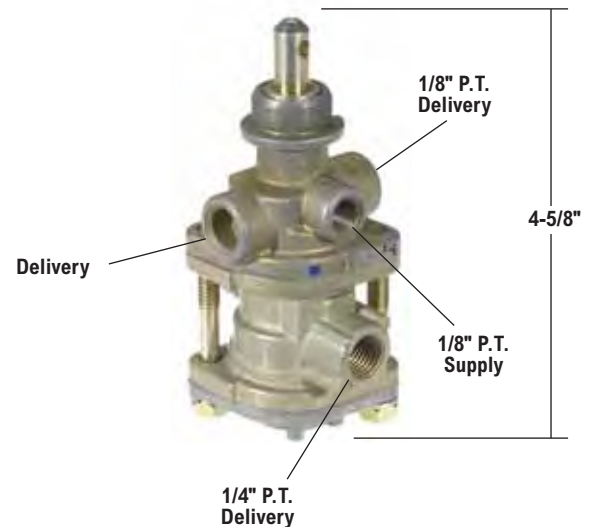
- Available Remanufactured Exchange
- Maintenance Kit 280857N
- Button and Mounting Nut not furnished with Exchange Valve
- Refer to Master Parts Catalog for Button or Dial Plate Pc. No.

V.M.R.S. 13-010-016

Reman. Exch. Pc. No.	Service New Pc. No.	Delivery (P.T.)
†*279787RX	†*279787	None
288746RX	288746N	None
289477RX	289477	1/8"
*289512RX	—	1/8"

Tripper Exhausts at 30 psi & Charges above 50 psi. Plunger Trips at 40 psi and Charges Manually.

*Remote Controlled
†Mounting Nut Furnished

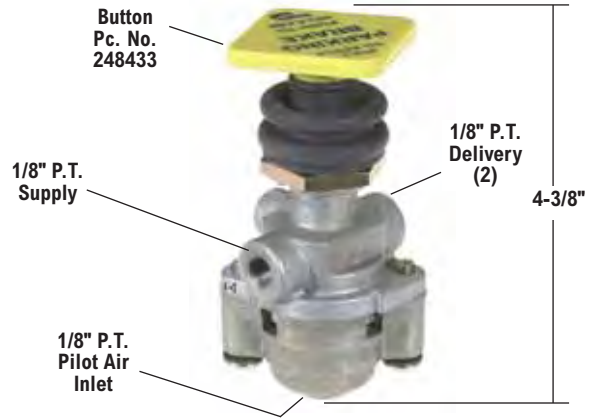


Bendix® PP-5™ Control Valve
(With Pilot Air Release)

- Maintenance Kit 281949
- Button is Furnished with Valve Pc. No. 284744N
- Refer to Master Parts Catalog for additional Buttons.

V.M.R.S. 13-010-104

Service New Pc. No.	Automatic Release Pressure (psi)
281946N	40
284744N	Manual



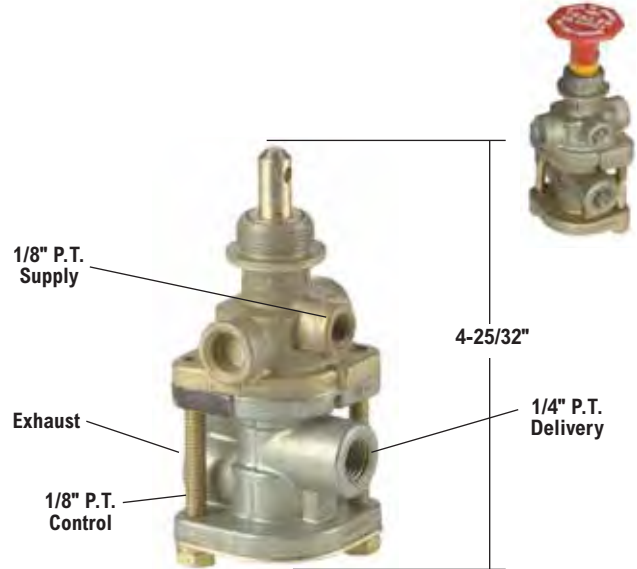
Bendix® PP-7™ Trailer Supply Valve

- Available Remanufactured Exchange
- Maintenance Kit 287367
- Button and Mounting Nut not furnished with Exchange Valve
- Refer to Master Parts Catalog for Button or Dial Plate Pc. No.

V.M.R.S. 13-010-016

Reman. Exch. Pc. No.	Service New Pc. No.	Comments
288239RX	288239N	-
288241X	106113	1/4" Exhaust (P.T.)
288242RX	288242	Remote Controlled

Automatic Release Pressure 40 psi

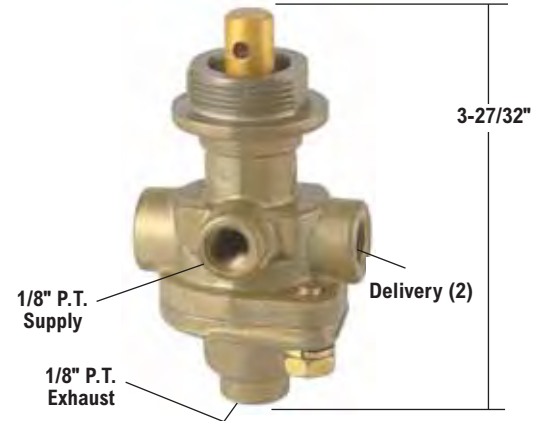


Bendix® PP-8™ Control Valve

- Available Remanufactured Exchange
- Button and Mounting Nut not furnished with Exchange Valve
- Refer to Master Parts Catalog for Button or Dial Plate Pc. No.

V.M.R.S. 13-010-104

Reman. Exch. Pc. No.	Service New Pc. No.	Delivery Port (P.T.)
287238RX	287238N	1/8"
287418RX	287418N	1/4"



Bendix® E-Z-Grip® Soft Button Cover

Service New Pc. No.	Button Shape	Description
801526	◇	Fits Bendix® MV-3®/PP-DC® Valve Style
801593	◇	Fits Bendix® PP-1® Valve Style
802123	○	Fits Bendix® PP-7™ Valve Style
802124	○ and ◇	Contains both Bendix® MV-3® Button Covers



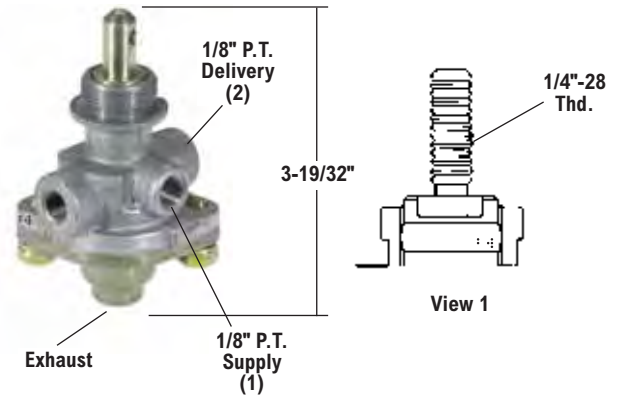
Button not included

Bendix® RD-3™ Push Type Control Valve

- Available Remanufactured Exchange
- Maintenance Kit 281126N
- Button not furnished with Exchange Valve, Roll Pin Furnished
- Refer to Master Parts Catalog for Button or Dial Plate Pc. No.

V.M.R.S. 13-010-104

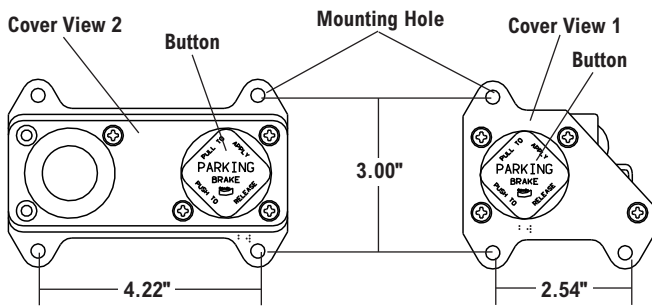
Service New Pc. No.	Comments
286211N	-
104644	See View 1



Bendix® PP-DC® Control Valve

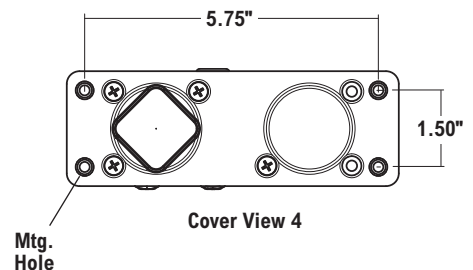
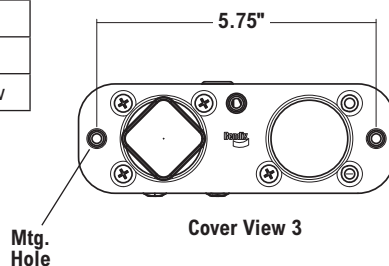
- Maintenance Kit 5006939

V.M.R.S. 13-101-017



Service Pc. No.	Cover View	Mounting Holes	Port Type*
065643	2	.27" Dia.	3/8" PTC
065661	1	1/4-20 Thread	3/8" PTC
065690	1	.27" Dia.	3/8" PTC
800034	2	.27" Dia	1/4" NPT
800142	1	1/4-20 Thread	1/4" NPT
800309	3	M6 x 1-6H	3/8" PTC
800620	4	M8 x 1-6H	3/8" PTC
800841	2	M6 x 1-6H	3/8" PTC
801315	2	.27" Dia	3/8" PTC Elbow

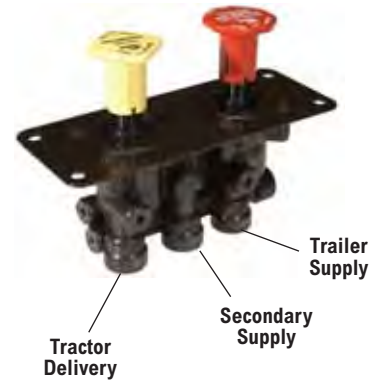
*PTC - Push-To-Connect Fittings



Bendix® MV-3® Control Module

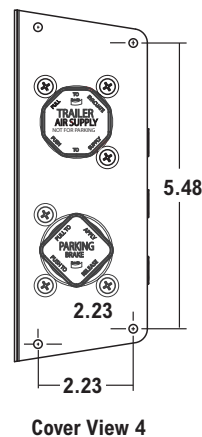
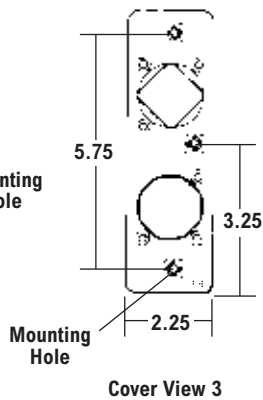
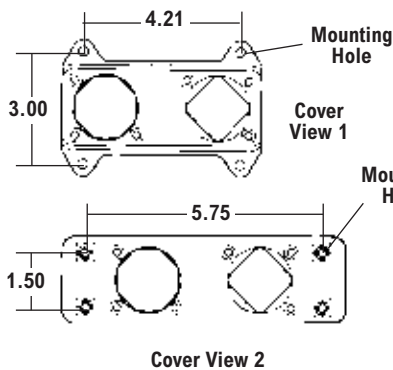
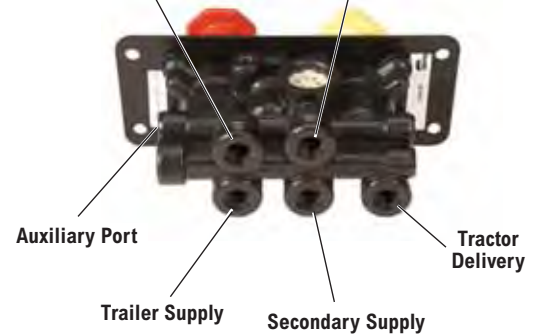
- Maintenance Kit 5002741
- Shuttle Kit 5002742

V.M.R.S. 13-010-112



Service New Pc. No.	Replaces	Cover View	Mounting Hole	Auxiliary Port	Port Type*
800257	065523	1	.28" Dia.	—	3/8" PTC
800259	800036	1	1/4-20 Thread	—	3/8" PTC
800260	—	1	M5 x .8-6H Thread	—	3/8" PTC
800445	—	2	.27" Dia.	—	1/4" NPT
800516	065157	1	.28" Dia.	—	1/4" NPT
	065697				
800517	065159	2	#10-24 Thread	—	1/4" NPT
	065379				
800518	065160	1	.28" Dia.	1/8" NPT	1/4" NPT
800519	065186	1	1/4-20 Thread	—	1/4" NPT
800521	065192	3	1/4-20 Thread	—	1/4" NPT
800522	065208	1	M6 x 1-6H Thread	1/8-27	1/4" NPT
800523	065248	1	#10-24 Thread	—	1/4" NPT
800573	065187	1	1/4-20 Thread	—	1/4" NPT
801631	5012393	4	.20" Dia	—	3/8" PTC Elbow
K031485	K031484	1	1/4-20 Thread	—	3/8" PTC Elbow

*PTC - Push-To-Connect Fittings



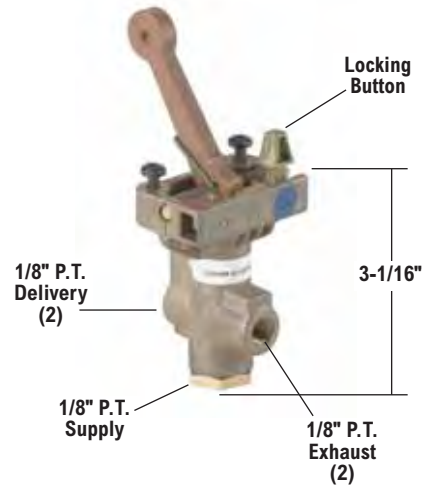
Bendix® MV-3® Valve with Push-to-Connect Fittings

Bendix® TC-4™ Modulating Control Valve (With Lever Latch)

- Available Remanufactured Exchange
- Dial Plate not furnished with Exchange Valve
- Refer to master Parts Catalog for Dial Plate Pc. No.

V.M.R.S. 13-010-104

Reman. Exch. Pc. No.	Service New Pc. No.	Locking Button Position	Delivery Pressure (psi)	Comments
282368RX	282368N	LEFT	86-100	–
–	282382N	LEFT	86-100	Includes Dial Plate



Bendix® TW-1™ Control Valve

- Available Remanufactured Exchange
- Dial Plate not furnished with Exchange Valve
- Refer to Master Parts Catalog for Dial Plate Pc. No.

V.M.R.S. 13-016-016

Reman. Exch. Pc. No.	Service New Pc. No.	Lever Material and Finish
228729RX	228729N	Zinc-Chrome
229635RX	229635N	Steel-Chrome
277516RX	277516N	Nylon-Black

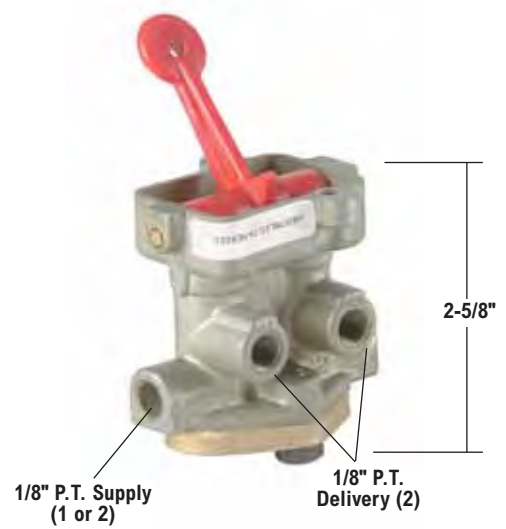


Bendix® TW-2™ & TH-3™ Control Valve

(TW-2 Control Valve Two Lever Positions)
 (TH-3 Control Valve Three Lever Positions)

- Available Remanufactured Exchange
- Maintenance Kit 282391
- Dial Plate not furnished with Exchange Valve
- Refer to master Parts Catalog for Dial Plate Pc. No.

Service New TW-2™ Control Valve Pc. No.	Service New TH-3™ Control Valve Pc. No.	Lever
280905N	280904N	Centering
–	281560N	Positioning

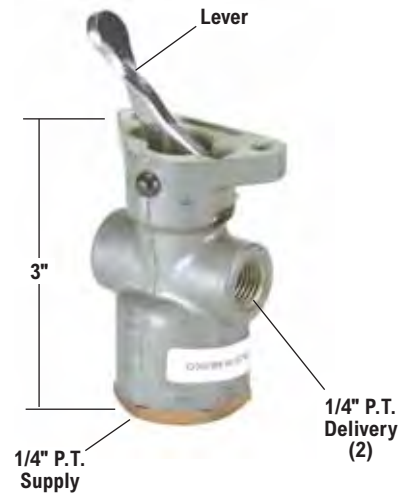


Bendix® TW-3™ Control Valve

- Available Remanufactured Exchange
- Dial Plate not furnished with Exchange Valve
- Refer to master Parts Catalog for Dial Plate Pc. No.

V.M.R.S. 13-010-016

Reman. Exch. Pc. No.	Service New Pc. No.	Lever Material
225892RX	225892N	Zinc
228762RX	228762N	Steel
283040RX	283040N	Steel

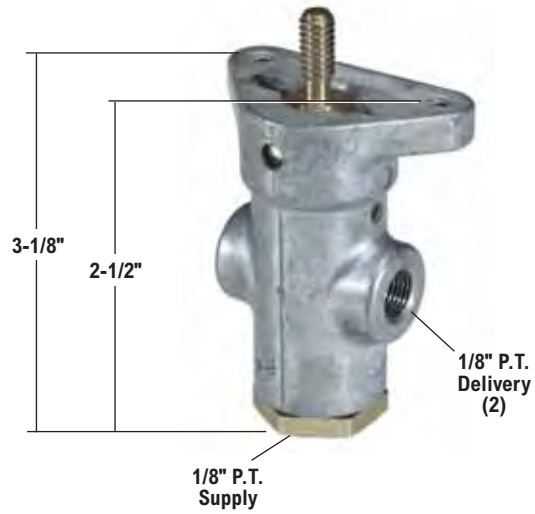


Bendix® TW-4™ Control Valve

- Available Remanufactured Exchange
- Refer to Master Parts Catalog for Button Pc. No.

V.M.R.S. 32-004-007

Service New Pc. No.
276635N



Bendix® TW-11™ Control Valve

- Used in conjunction with the Bendix® HR-1™ Hydraulic Relay Valve.

Service New Pc. No.	Configuration
065356	Fig. B
065316	Fig. A

Fig. B

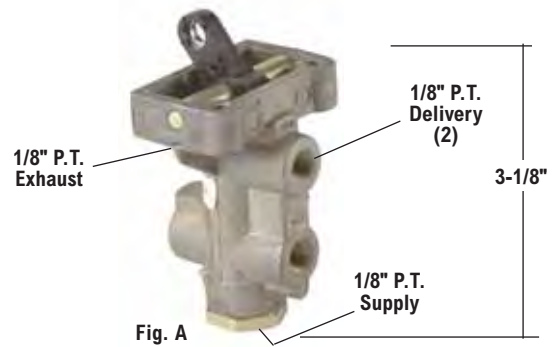
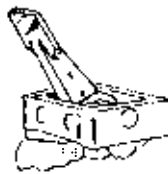
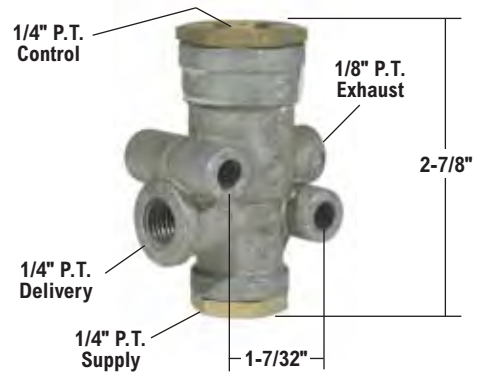


Fig. A

Bendix® SV-1™ Synchronizing Valve

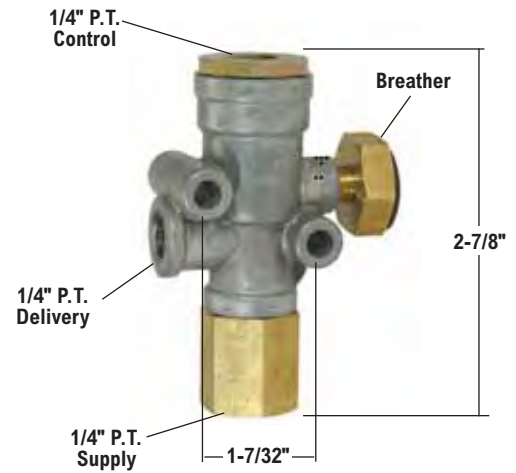
Service New Pc. No.	A (psi)	B (psi)
278825N	42	28
282472N	21	11
283700N	62	50

With Common Control & Supply Pressure, Inlet Opens at A and Exhaust Opens at B



Bendix® SV-4™ Trailer Release Valve

Service New Pc. No.	Breather Valve Size/Shape
108769	1" Hex
109149	9/16" 12 point



Bendix® R-6™ Relay Valve

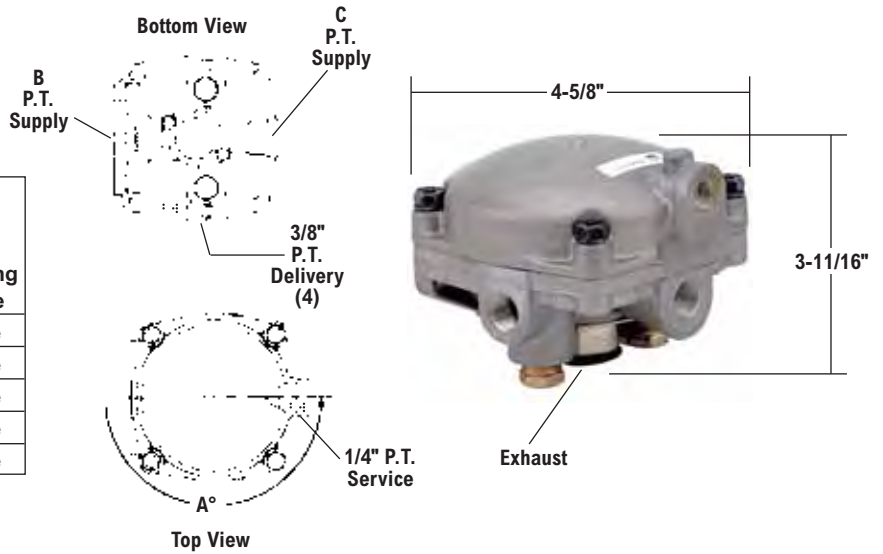
- Available Remanufactured Exchange
- Maintenance Kit 280856N

V.M.R.S. 13-010-009

Reman. Exch. Pc. No.	Service New Relay Valve Pc. No.	A° Service Port Angle	B (P.T.)	C (P.T.)	Mounting Flange
—	279180N	180°	—	3/8"	2 Hole
279952RX	279952N	180°	3/4"	3/8"	2 Hole
280375RX	280375	90°	—	1/2"	2 Hole
279952RX	*280651N	180°	3/4"	3/8"	2 Hole
283940RX	283940N	270°	3/8"	3/8"	4 Hole

Crack Pressure 2 psi

*Pipe Plugs & Gasket Attached

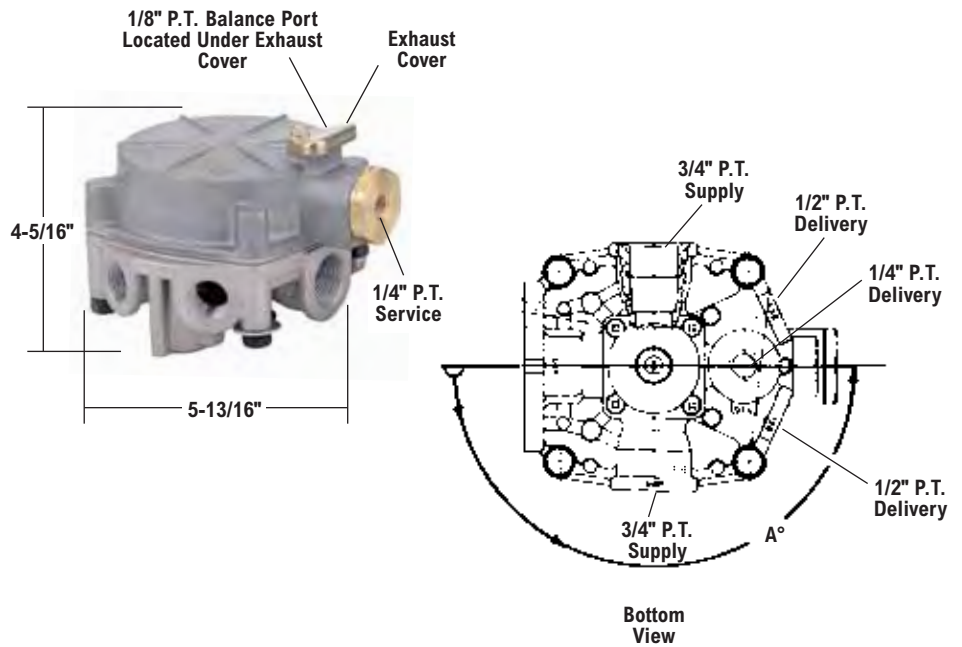


Bendix® R-8™ Relay Valve

- Available Remanufactured Exchange
- Maintenance Kit 287370N

V.M.R.S. 13-010-009

Reman. Exch. Pc. No.	Service New Pc. No.	A° Service Port Location	Comments
286370RX	286370N	90°	
286371RX	286371N	90°	No Exh. Cover
287260RX	287260N	180°	No Exh. Cover
288369RX	288369N	180°	
288781RX	288781	180°	Waterproof

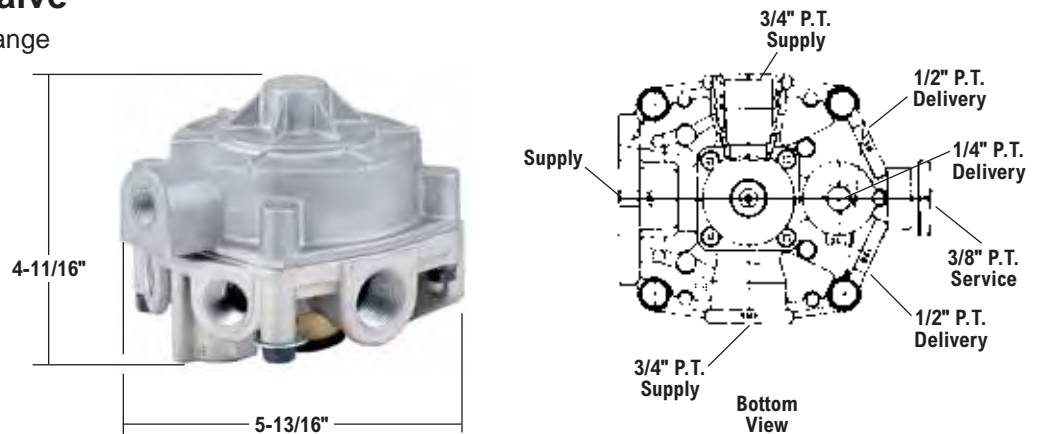


Bendix® R-8P™ Relay Valve

- Available Remanufactured Exchange
- Maintenance Kit 103799

V.M.R.S. 13-010-009

Reman. Exch. Pc. No.	Service New Pc. No.	Comments
287114RX	287114N	—



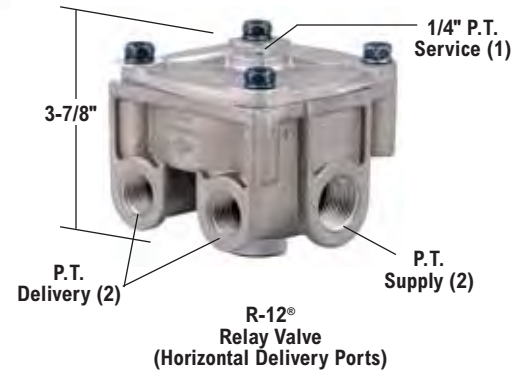
Bendix® R-12® Relay Valves

- Available Remanufactured Exchange
- All Universal Bendix R-12® and R-14® Relay Valves include Installation Instructions and a Universal Mounting Bracket as indicated.
- Field maintenance kit for R-12® and R-14® Relay Valves is Pc. No. 102802N.

V.M.R.S. 13-010-009

Vertical Delivery Ports

Reman. Exch. Pc. No.	Service New Pc. No.	Crack Pressure (psi)	Delivery Port Size (P.T.)	Maint. Kit	Mounting Bracket
5003365X	065104	4	3/8"	102802N	296010N
-	065181	5.5	1/2"	102802N	296010N
102626RX	102626N	4	1/2"	102802N	296010N
103912RX	103912	7.5	1/2"	102802N	296010N
104561RX	-	5.5	3/8"	102802N	296010N
-	*800365	4	3/8"	102802N	296010N



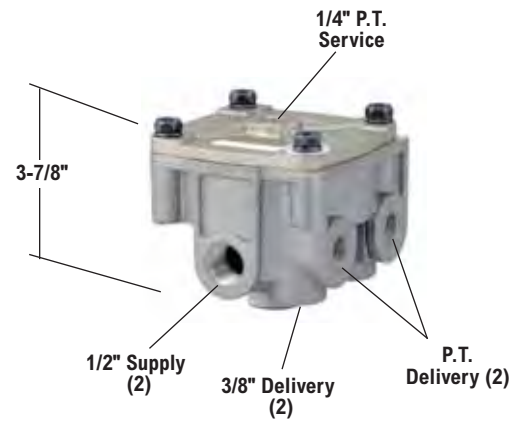
Horizontal Delivery Ports

Reman. Exch. Pc. No.	Service New Pc. No.	Crack Pressure (psi)	Supply Port Size (P.T.)	Maint. Kit	Mounting Bracket	Delivery (P.T.)
-	065125	5.5	1/2"	102802N	296010N	1/2"
-	065309	4	1/2"	102802N	296010N	1/2"
-	065546	4	1/2"	109523	296010N	1/2"
103009RX	103009N	4	3/4"	102802N	296010N	1/2"
104165RX	-	7.5	3/4"	102802N	296010N	1/2"
-	800238	4	3/4"	102802N	N/A	1/2"
-	800305	4	1/2"	5002831	296010N	1/2"
-	*800366	5.5	1/2"	5004029	296010N	3/8"
-	*800365	4	1/2"	5004029	296010N	1/2"

*Self draining piston

Two (2) Vertical & Horizontal Delivery Ports

Service New Pc. No.	Crack Pressure (psi)	Delivery Port Size (P.T.)	Maint. Kit	Mounting Bracket
065206	5.5	3/8"	102802N	296010N
065303	4	3/8"	102802N	296010N
800095	4	3/8"	102802N	102846N**
800441	5.5	3/8"	102802N	102846N**
800483	5.5	1/2"	102802N	N/A
800484	5.5	1/2"	102802N	296010N
800485	4	1/2"	102802N	N/A
800486	4	1/2"	102802N	296010N
800508	5.5	1/2"	102802N	N/A



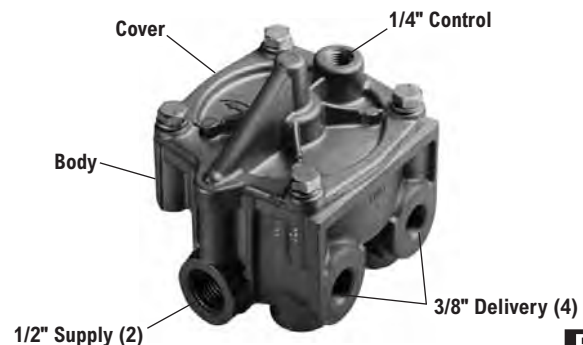
**Mounting bracket 102846N includes two 5/16" mounting studs.

Bendix® R-12P™ Pilot Relay Valve

- Available Remanufactured Exchange
- Universal Mounting Bracket 296010 included
- Field Maintenance Kit 109265

V.M.R.S. 13-010-009

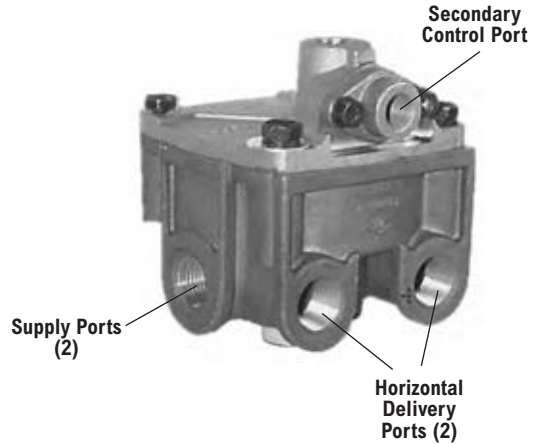
Service New Pc. No.	Reman. Exch. Pc. No.
065476	109264X



Bendix® R-12DC® Relay Valve with Biased Double Check

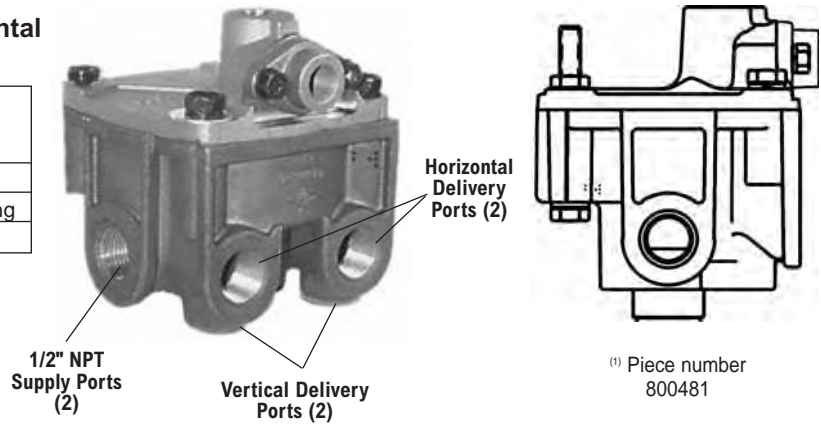
Bendix® R-12DC® Relay Valve with Two (2) Horizontal Delivery Ports

Service New Pc. No.	Crack Pressure PSI	Supply Ports NPT	Delivery Ports NPT	Bracket Pc. No. (Included)
800470	4	1/2"	1/2"	296010N
800471	5.5	1/2"	1/2"	294649N
800627	4	1/2"	1/2"	294649N



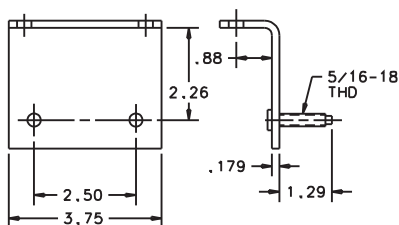
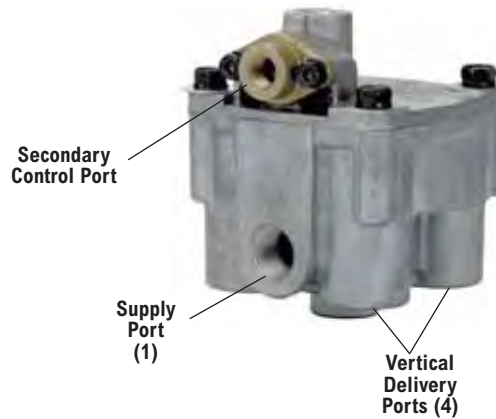
Bendix® R-12DC® Relay Valve with two (2) Horizontal and two (2) Vertical Delivery Ports

Service New Pc. No.	Crack Pressure PSI	Horizontal Delivery Ports NPT	Vertical Delivery Ports NPT	Bracket Pc. No. (Included)
800481	4	1/2"	3/8"	None ⁽¹⁾
801305	4	1/2"	3/8"	3/8" Tube Fitting
801381	5.5	1/2"	3/8"	102846N

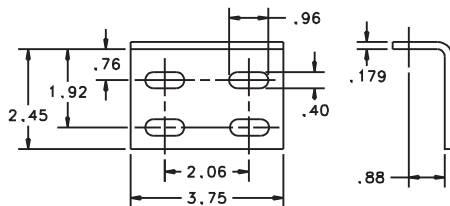


Bendix® R-12DC® Relay Valve with four (4) Vertical Delivery Ports

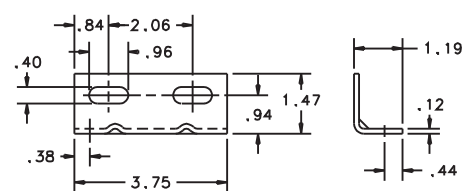
Service New Pc. No.	Crack Pressure PSI	Vertical Delivery Ports (NPT)	Bracket Pc. No. (Included)
800477	4	1/2"	102846N
800479	4	1/2"	294649N



Mounting Bracket
Pc. No. 102846N



Mounting Bracket
Pc. No. 296010N

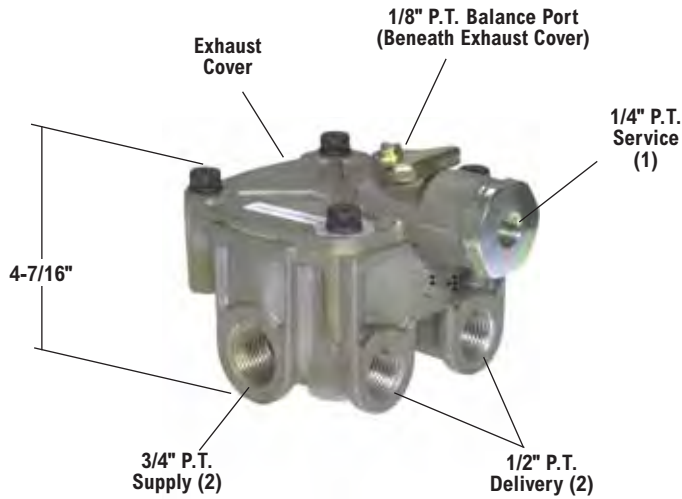


Mounting Bracket
Pc. No. 294649N

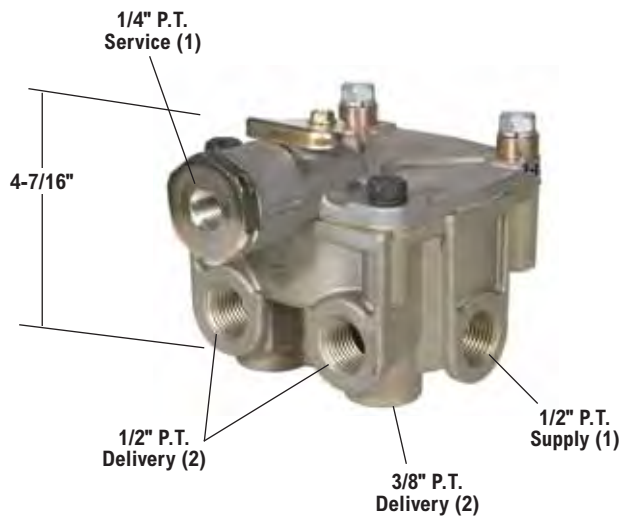
Bendix® R-14® Relay Valve

- Available Remanufactured Exchange
- Field Maintenance Kit for Bendix® R-12® & R-14® Relay Valves is Pc. No. 102802N
- All Universal R-12® and R-14® Relay Valves Include Installation Instructions and a Universal Mounting Bracket Pc. No. 296010N.

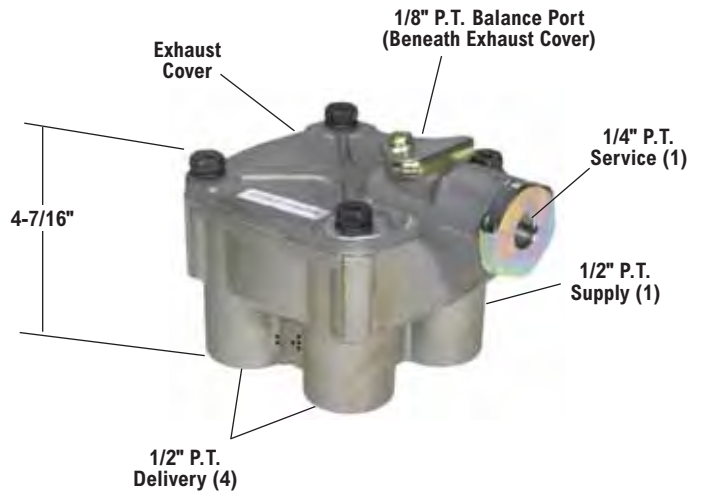
V.M.R.S. 13-010-009



Bendix® R-14® Relay Valve
(Horizontal Delivery Ports)



Bendix® R-14® Relay Valve
(Horizontal & Vertical Delivery Ports)



Bendix® R-14® Relay Valve
(Vertical Delivery Ports)

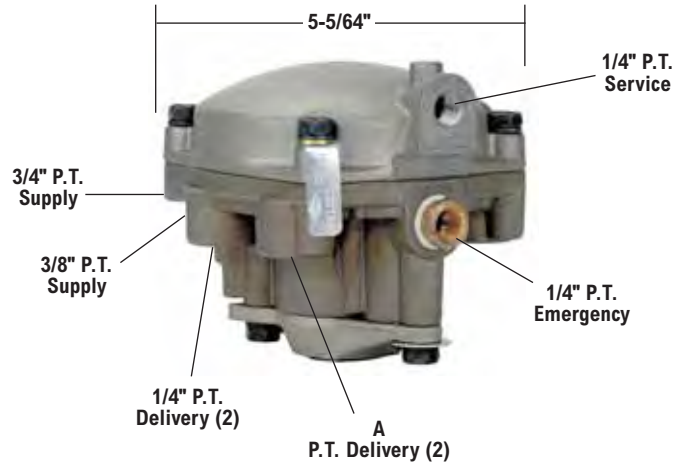
Reman. Exchange Pc. No.	Service New Pc. No.	Crack Pressure (psi)	Supply
Horizontal Delivery Ports			
103010RX	103010N	4	3/4"
103294RX	103294N	5.5	3/4"
103835X	103835	7.5	3/4"
–	104345	5	3/4"
104574RX	104574	4	1/2"
Vertical Delivery Ports			
103028RX	103028N	4	1/2"
–	103833	7.5	1/2"
–	106313	5.5	1/2"
Vertical & Horizontal Delivery Ports*			
–	065430	4	1/2"

*Delivery ports two 3/8" & two 1/2"

Bendix® RE-6® & RE-6NC™ Relay Emergency Valves

- Available Remanufactured Exchange
- Maintenance Kits:
282812 Complete Valve
282813 Insert Only

V.M.R.S. 13-010-037



Reman. Exch. Pc. No.	Service Pc. No.	Valve	A Delivery (P.T.)
281865X	281865	RE-6® Relay Emergency Valve	3/8"
281860X	281860	RE-6 Relay Emergency Valve	1/4"
-	065451	RE-6NC™ Relay Emergency Valve	1/4"

The RE-6NC relay emergency valve must be used in conjunction with a Bendix® PR-3™ reservoir control valve.

BENDIX® REMANUFACTURED AIR BRAKE SHOES AND KITS – WHY SETTLE FOR ANYTHING LESS?

Your customers deserve the best and you can deliver with Bendix® brand Reman Brake Shoes & Kits. Remanufactured – not just relined – they set the standard for coining, advanced paint coating, precision riveting, and quality control.

SELL WITH CONFIDENCE

Experience counts and Bendix has that covered with more than 40 million brake shoes produced over the past 21 years. Made in the USA at the Bendix Reman Shoe Center, you can count on:

- **Industry-Leading Friction Development and Testing** for maximum value and long service life;
- **Engineering Expertise from a full brake system supplier**, not just a friction manufacturer;
- **Precision Riveting** to ensure correct lining attachment, virtually eliminating loose lining and cracking;
- **Next Generation Coating** tested tough for superior adhesion that eliminates corrosion; and
- **Packaging Accuracy and Strict Quality Standards.**

RELIABLE SERVICE LIFE AND AFTER SALES SUPPORT

Bendix brand Reman Brake Shoes & Kits – like all Bendix products – are supported with field-tested sales and service professionals, a 100 percent ASE-certified field technical support team, and the Bendix Tech Team – an expert technical support line dedicated to helping you.

Brakes are no place to cut corners. To learn more, contact your Account Manager or visit www.bendix.com.



Bendix® ST-3™ Safety Valves

V.M.R.S. 13-010-073

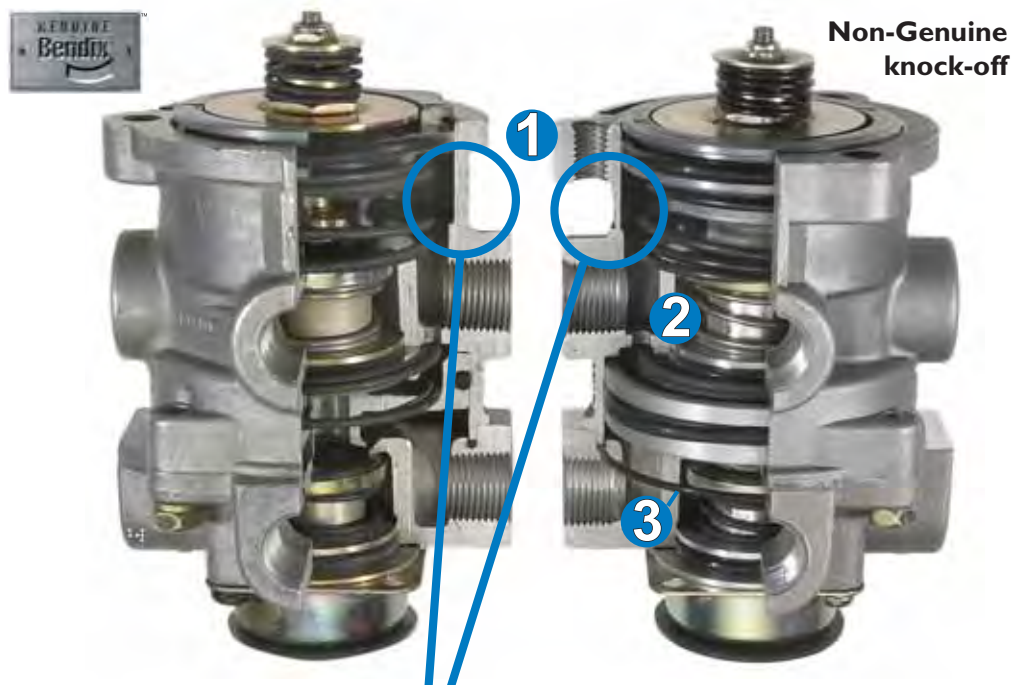
See the Compressor section (01) of this catalog for Bendix® ST-4™ Safety Valves.



ST-3™ Safety Valve Pc. No.	Pipe Thread	Pressure Setting (psi)
284142	1/4"	150
284143	3/8"	150
285849	1/4"	175
285850	1/4"	75

Do you really know what's inside the valves you buy?

Appearances can be deceiving. The two valves pictured below may look alike but their performance is drastically different. The non-genuine knock-off is a component bought right off the shelf, and its poor quality is just a sample of what is being sold in the market every day.



- ❶ The knock-off valve's wall is 56% thinner, making it more susceptible to cracking or even a complete valve rupture.
- ❷ O-rings, seals, bolts & pistons — all built with inferior materials — can lead to accelerated wear and leakage.
- ❸ Inconsistent spring tension on the knock-off can result in brake imbalance and longer stopping distances.

Your brakes are not the place to cut corners. A poorly manufactured knock-off valve — like the one pictured on the right above — can, and frequently does, affect the performance, durability and long-term reliability of your braking system. Protect your vehicle by using only genuine Bendix® parts.

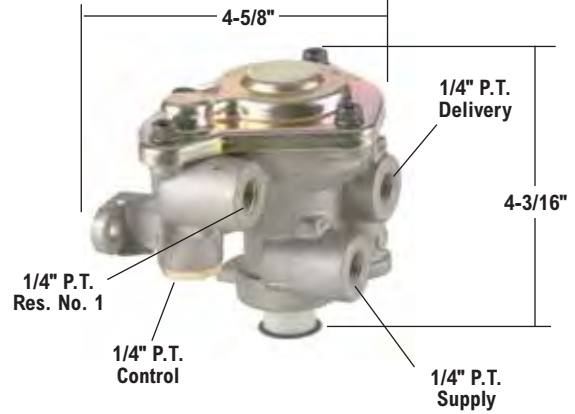
Use the best. Use Bendix. Look for the familiar Bendix name and logo on the box. For the name of the authorized distributor nearest you talk to your Bendix Account Manager, call 1-800-AIR-BRAKE (1-800-247-2725) or visit www.bendix.com today.

Bendix® SR-1™ Spring Brake Valve

- Available Remanufactured Exchange
- Maintenance Kit 108123

V.M.R.S. 13-010-048

Reman. Exch. Pc. No.	Service New Pc. No.	Customer Identification	Reservoir Trip Pressure (psi)
286364RX	286364N	NONE	55
288063RX	288063N	IHC-459271-C92	30



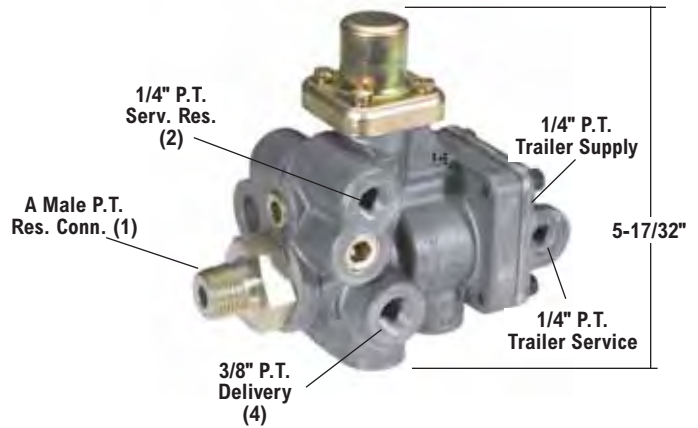
Bendix® SR-2™ Trailer Spring Brake Valve

- Available Remanufactured Exchange
- Maintenance Kit 287691

V.M.R.S. 13-010-048

Reman. Exch. Pc. No.	Service New Pc. No.	A P.T.
*287376RX	*287376N	3/4"
102761RX	102761N	3/4"
103061RX	103061N	1/2"

*Does not have trailer service port for anti-compounding.

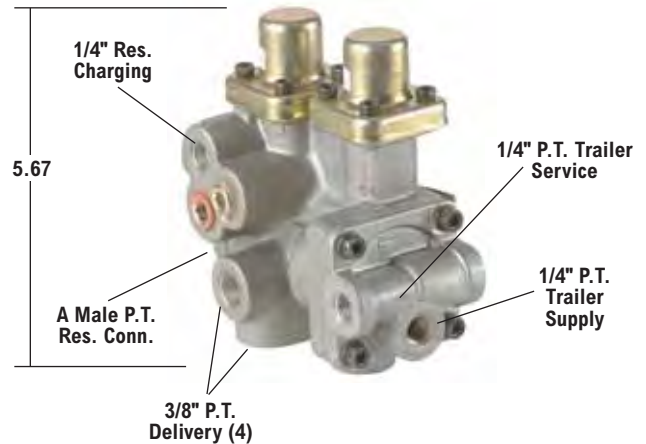


Bendix® SR-4™ Trailer Spring Brake Valve

- Maintenance Kit 108259

V.M.R.S. 13-010-111

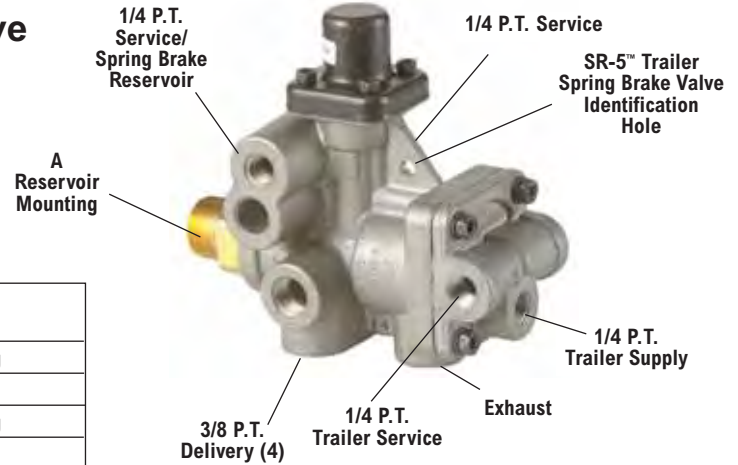
Bendix® SR-4™ Trailer Spring Brake Valve Svc. New Pc. No.	Bendix® SR-5™ Trailer Spring Brake Valve Svc. New Pc. No.	A	Comments
107539N	065437	3/4" NPT	With Anti-Compounding
—	065439	1/2" NPT	With Anti-Compounding



Bendix® SR-5™ Trailer Spring Brake Valve

• Maintenance Kit 109015

V.M.R.S. 13-010-048

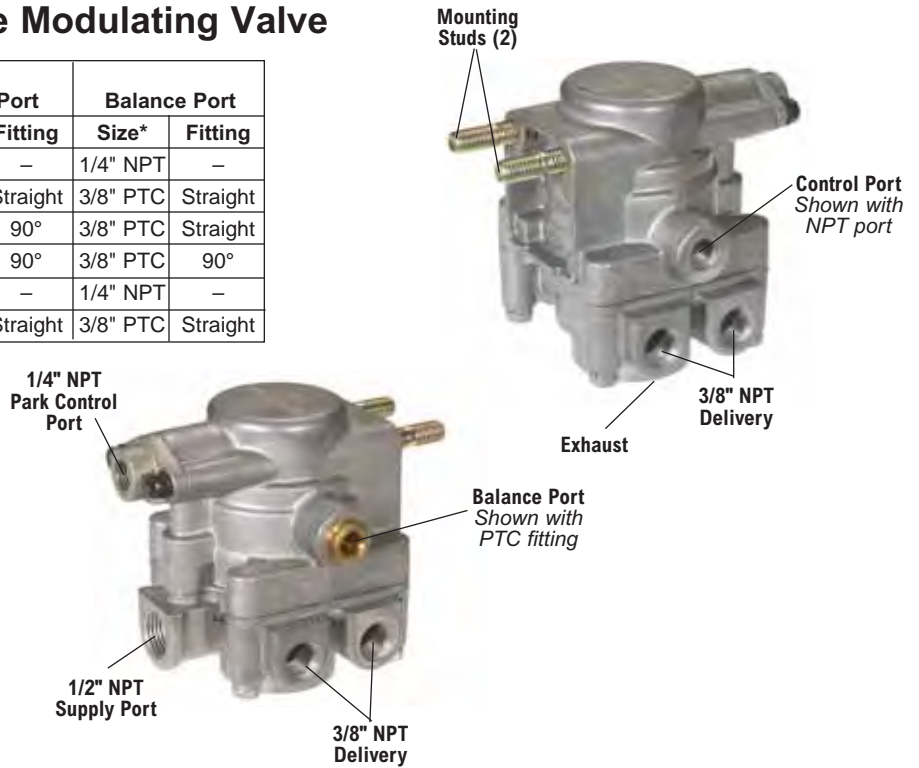


Reman. Exch. Pc. No.	Service New Pc. No.	A Male (P.T.)	Comments
109615X	065437	3/4"	With Anti-Compounding
109616X	065438	3/4"	–
109617X	065439	1/2"	With Anti-Compounding
109618X	065440	1/2"	–

Bendix® SR-7® Spring Brake Modulating Valve

Service New Pc. No.	Mounting Stud		Control Port		Balance Port	
	Thd.	Length	Size*	Fitting	Size*	Fitting
K021557	3/8"-16	.94"	1/4" NPT	–	1/4" NPT	–
K021558	3/8"-16	.94"	3/8" PTC	Straight	3/8" PTC	Straight
K021559	3/8"-16	.94"	3/8" PTC	90°	3/8" PTC	Straight
K021560	M10	1.38"	3/8" PTC	90°	3/8" PTC	90°
K021562	–	–	1/4" NPT	–	1/4" NPT	–
K021563	–	–	3/8" PTC	Straight	3/8" PTC	Straight

*PTC - Push-To-Connect Fittings



Bendix® SRC-7000™ Trailer Spring Brake Valve

Service New Pc. No.	Mounting Nipple	Comments
K025778	1/2" NPT	Replaces Sealco® 110500

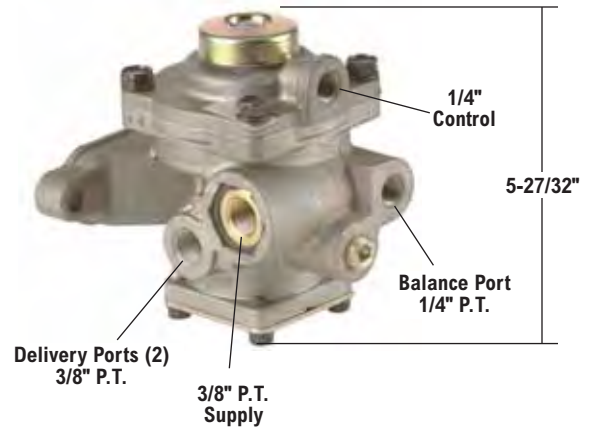


Bendix® R-7™ Modulating Valve

- Available Remanufactured Exchange
- Maintenance Kit 283861

V.M.R.S. 13-010-009

Reman. Exch. Pc. No.	Service New Pc. No.	Spring Brake Release Pressure (psi)
103081RX	103081N	95

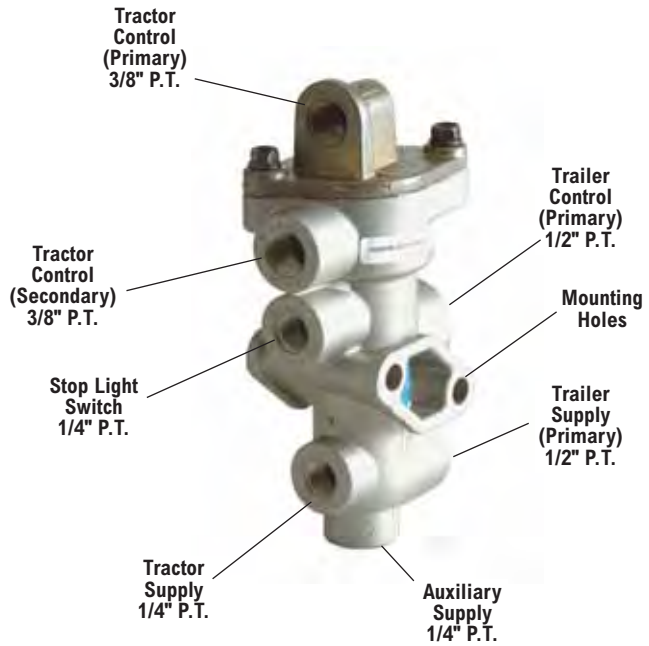


Bendix® TP-3DC™ Tractor Protection Valve

- Maintenance Kit 5000073

V.M.R.S. 13-010-016

Service New Pc. No.
065706

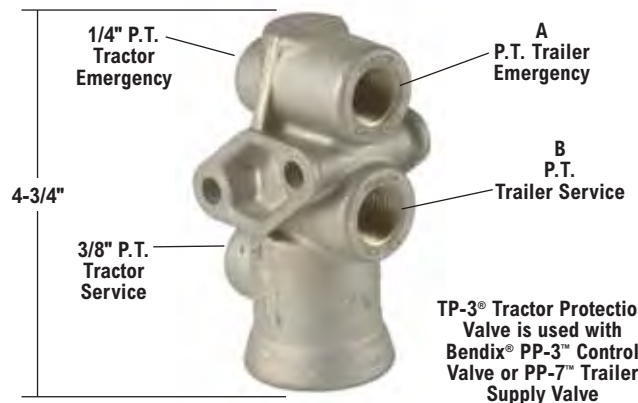


Bendix® TP-3® Tractor Protection Valve

- Available Remanufactured Exchange
- Maintenance Kit 280858N

V.M.R.S. 13-010-016

Reman. Exch. Pc. No.	Service New Pc. No.	A P.T.	B P.T.
279000RX	279000N	1/2"	1/2"
279692X	-	3/8"	3/8"
-	280830N	1/2"	1/2"



TP-3® Tractor Protection Valve is used with Bendix® PP-3™ Control Valve or PP-7™ Trailer Supply Valve

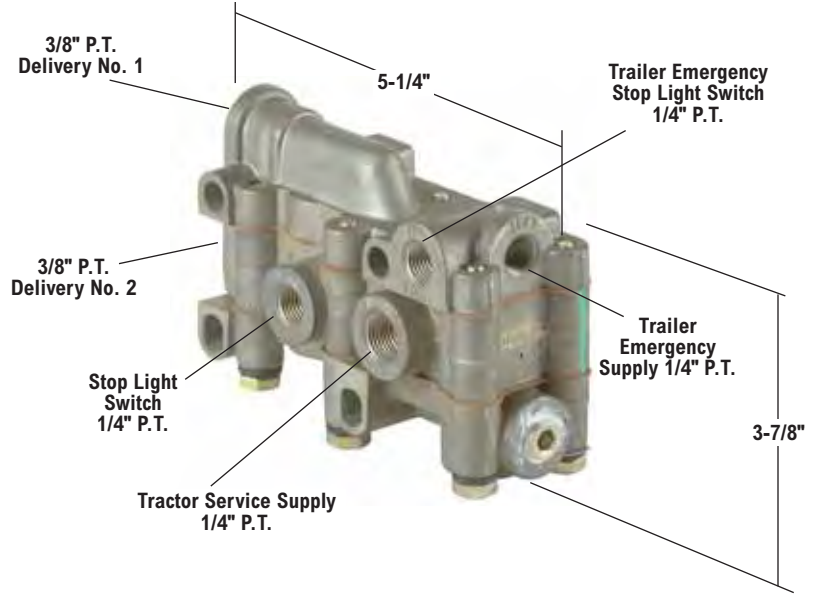
Bendix® TP-4™ Tractor Protection Valve

- Formerly Bendix® VM-1 Control Valve Manifold
- Available Remanufactured Exchange
 - Maintenance Kit 283863

V.M.R.S. 13-010-114

Reman. Exch. Pc. No.	Service New Pc. No.
288301RX	288301N

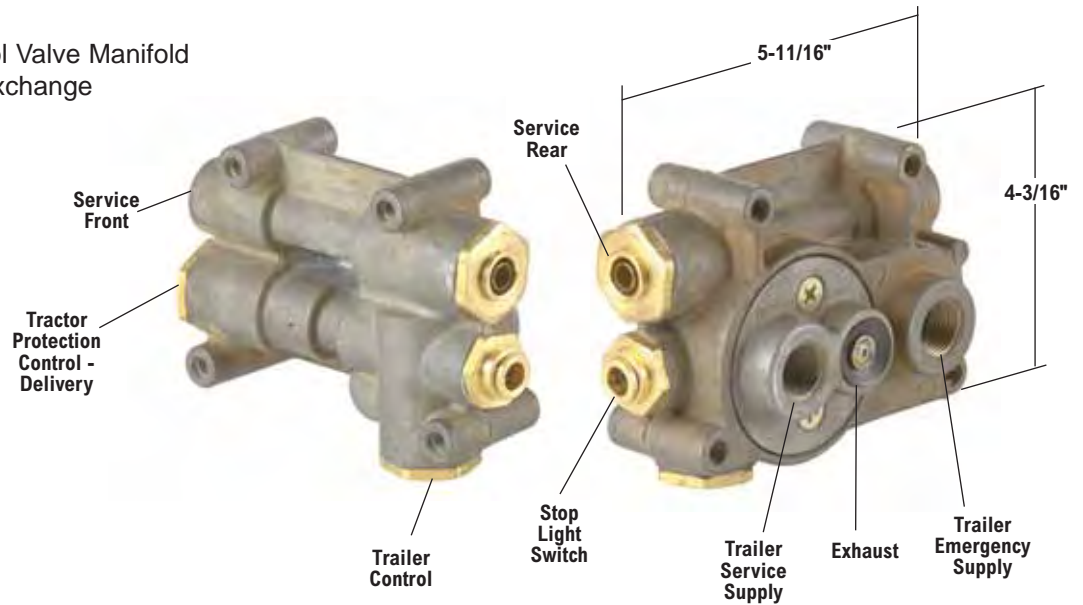
Three (3) Sealing O-Rings Pc. No. 212268
Included with Valve



Bendix® TP-5™ Tractor Protection Valve

- Formerly Bendix® VM-2 Control Valve Manifold
- Available Remanufactured Exchange
 - Maintenance Kit 289061

V.M.R.S. 13-010-114



Reman. Exch. Pc. No.	Service New Pc. No.	Service Rear*	Stop Light Switch*	Service Front*	Trailer Control*	Trailer Service Supply	Trailer Emergency Supply	Tractor Protection Control Delivery*
-	065702	1/2" PTC	3/8" PTC	1/2" PTC	3/8" PTC	1/2" NPT	1/2" NPT	3/8" PTC
-	107430	3/8" NPT	1/8" NPT	3/8" NPT	1/4" NPT	1/2" NPT	1/2" NPT	1/4" NPT
288605RX	288605N	3/8" NPT	1/4" NPT	3/8" NPT	3/8" NPT	1/2" NPT	1/2" NPT	3/8" NPT
-	800396	1/2" PTC	1/4" PTC	1/2" PTC	3/8" PTC	1/2" NPT	1/2" NPT	3/8" PTC

*PTC - Push-To-Connect Fittings



Bendix® E-5™ Valve Maintenance Kit
(Pc. No. 289334N)



Bendix® E-6® Valve Maintenance Kit
(Pc. No. 287368N)



Bendix® E-6® Valve Maintenance Kit
(Pc. No. 289335)



Bendix® E-7™ Valve Maintenance Kit
(Pc. No. 289352N)



Bendix® E-7™ Valve Maintenance Kit
(Pc. No. 289353)



Bendix® E-10™ Valve Maintenance Kit
(Pc. No. 102100)



Bendix® E-12™ Valve Maintenance Kit
(Pc. No. 108367)



Bendix® LQ-2™ Valve Maintenance Kit
(Pc. No. 282098N)



Bendix® LQ-4™ Valve Maintenance Kit
(Pc. No. 289500N)



Bendix® LQ-5™ Valve Maintenance Kit
(Pc. No. 107195)



Bendix® MV-2™ Valve Maintenance Kit
(Pc. No. 101557)



Bendix® MV-3® Valve Maintenance Kit
(Pc. No. 5002741)



Bendix® MV-3® Valve Maintenance Kit
(Pc. No. 5002742)



Bendix® PP-DC® Valve Maintenance Kit
(Pc. No. 5006939)



Bendix® PP-1® Valve Maintenance Kit
(Pc. No. 281126N)



Bendix® PP-2™ Valve Maintenance Kit
(Pc. No. 281127N)



Bendix® PP-3™ Valve Maintenance Kit
(Pc. No. 280857N)



Bendix® PP-7™ Valve Maintenance Kit
(Pc. No. 287367)



Bendix® PR-3™ & PR-4™ Valve Maintenance Kit
(Pc. No. 287366)



Bendix® QRN™ Valve Maintenance Kit
(Pc. No. 104463)



Bendix® R-6™ Valve Maintenance Kit
(Pc. No. 280856N)



Bendix® R-7™ Valve Maintenance Kit
(Pc. No. 283861)



Bendix® R-8™ Valve Maintenance Kit
(Pc. No. 287370N)



Bendix® R-12P™ Valve Maintenance Kit
(Pc. No. 109265)



Bendix® R-12® DuraDrain™ Valve Maintenance Kit
(Pc. No. 5004029)



Bendix® R-12® Valve Maintenance Kit
(Pc. No. 5002831)



Bendix® R-12® Valve Maintenance Kit
(Pc. No. 5019003)



Bendix® R-14® Valve Maintenance Kit
(Pc. No. 102802N)



Bendix® R-8P™ Valve Maintenance Kit
(Pc. No. 103799)



Bendix® RE-6® Valve Maintenance Kit
(Pc. No. 282812)



Bendix® RE-6® Valve Maintenance Kit
(Pc. No. 282813)



Bendix® SR-1™ Valve Maintenance Kit
(Pc. No. 108123)



Bendix® SR-2™ Valve Maintenance Kit
(Pc. No. 287691)



Bendix® SR-4™ Valve Maintenance Kit
(Pc. No. 108259)



Bendix® SR-4™ Valve Maintenance Kit
(Pc. No. 102048)



Bendix® SR-5™ Valve Maintenance Kit
(Pc. No. 109015)



Bendix® TC-2™ Valve Maintenance Kit
(Pc. No. 276122)



Bendix® TC-6™ Valve Maintenance Kit
(Pc. No. 289890)



Bendix® TC-7™ Valve Maintenance Kit
(Pc. No. 102145)



Bendix® TP-3® Valve Maintenance Kit
(Pc. No. 280858N)



Bendix® TP-3DC™ Valve Maintenance Kit
(Pc. No. 5000073)



Bendix® TP-4™ Valve Maintenance Kit
(Pc. No. 283863)



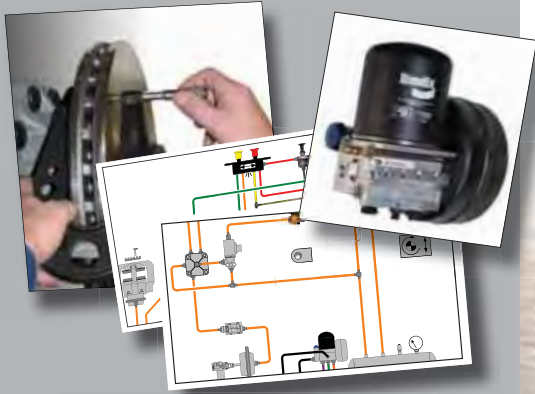
Bendix® TP-5™ Valve Maintenance Kit
(Pc. No. 289061)

Type/Pc. No.	Bendix Reman. Exchange Pc. No.
Bendix®	
R-1™ Valve	103009RX
R-1C™ Valve	103009RX
R-5™ Valve	102626RX, 103009RX
R-6™ Valve	102626RX, 103009RX
R-8™ Valve	103010RX
R-12® Valve	102626RX
R-12® Valve (H)	103009RX
R-14® Valve	103028RX
R-14® Valve (H)	103010RX
RE-6® Valve	281865RX
SR-1™ Valve	286364RX
SR-2™ Valve	287376RX
SR-4™ Valve	101112RX
Berg®	
12340	103009RX
12341	103009RX
12342	102626RX, 103009RX
12343	102626RX, 103009RX
12344	102626RX, 103009RX
12345	102626RX, 103009RX
12346	103009RX
12352	101112RX & 102626RX
12360	101112RX, 101622X
A86473	102626RX
A86477	102626RX

Type/Pc. No.	Bendix Reman. Exchange Pc. No.
Kelsey Hayes®	
5468	103009RX
5470	102626RX
Midland®	
A104001	101112RX, 101622X
A104002	101112RX, 101622X
A104003	101112RX, 101622X
A104010	101112RX, 101622X
KN20541	101112RX, 101622X
KN28060	103009RX
KN28061	103009RX
KN28071	103010RX
KN28132	103009RX
KN28140	103010RX
Sealco®	
9125	102626RX, 103009RX
A1100	102626RX
Wagner®	
A78882	102626RX, 103009RX
A78887	102626RX, 103009RX
A88802	101112RX, 101622X
A88812	101112RX, 101622X
A98730	101112RX, 101622X
A98731	101112RX, 101622X
A98732	101112RX, 101622X

Bendix Brake Training School

Air and Foundation Brake Training - 2 Schools in 1



Bendix - your comprehensive brake training provider for more than 50 years.

Class size is limited and enrollment is on a first-come, first-serve basis.

Registration may be completed by phone (1-800-AIR-BRAKE, option 3), by fax (216-651-3261), or online at www.bendix.com or www.foundationbrakes.com.

The **Bendix Brake Training School** is tailored to new and experienced technicians and features a curriculum that includes the fundamentals of compressed air; tactics for air system failure mode diagnosis and troubleshooting; and air brake system and foundation brake components, including air compressors, valves, foundation drum brake and air disc brakes.

Conducted by the veteran ASE-certified Bendix team, this all-inclusive course incorporates description, operation, and service elements for the total range of components found within dual air brake systems.

Additional topics covered include antilock braking systems (ABS), the SmarTire[®] tire pressure monitoring system, and stability technologies such as Bendix[®] ESP[®] Electronic Stability Program full stability system, and Bendix[®] Wingman[®] Advanced—a collision mitigation technology.

In addition to classroom lectures and product cut-a-ways, visual aids are incorporated to demonstrate the components and related systems in each training class. All locations feature operational demonstration boards.

For a complete list of Bendix Brake Training School dates and locations please visit the services and support tab at www.bendix.com.

The cost of the Bendix Brake Training School is \$300 (U.S.) per attendee. All course materials are provided. Lunch is included, however, transportation and lodging are the responsibility of the student. The dress code is casual. Payment is made by credit card only and is non-refundable unless canceled 30 days prior to the start of the class in which you've enrolled. If a class is canceled, a full refund will be issued for the class tuition only. Reimbursement for other expenses is not covered.



**Bendix Spicer
Foundation Brake LLC**
A Bendix CVS and Dana Joint Venture

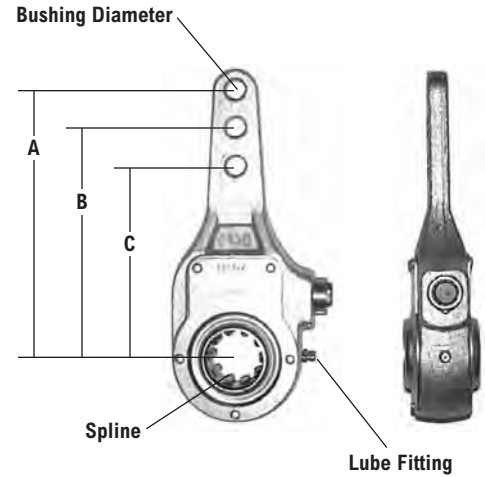
Straight Arm

V.M.R.S. 13-001-030 (FRONT)
13-002-028 (REAR)

Selecting A Slack Adjuster

1. Determine if straight or offset arm. If offset, determine if RH or LH is needed.
2. Identify spline size (diameter and number of teeth).
3. Select model needed.
4. Determine the arm hole used (if slack contains more than one).
5. Identify bushing diameter.

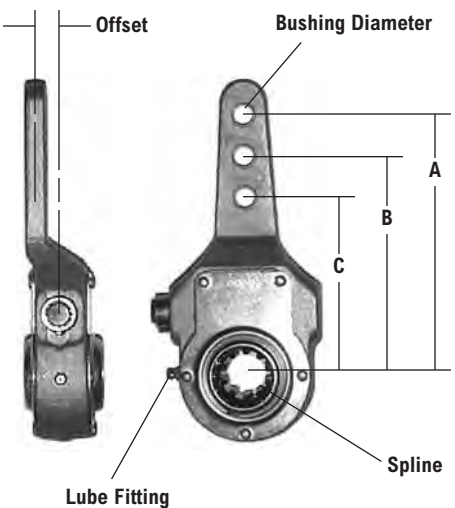
Service New Pc. No.	SAE Torque Rating-lbs	Spline	Teeth	Arm Length (In.)			Bushing Dia.	Lube Fitting	Fitting Direction
				A	B	C			
278302	26,000	1-1/4"	10	5.5	4.5	—	0.5	Straight	Straight
278305	26,000			7.0	6.0	5.0			
278323N	26,000			7.0	6.0	5.0			
278326N	26,000			6.5	5.5	—			
278008	30,000	1-1/2"	10	6.5	5.5	—	0.5	Straight	Straight
278010N	30,000			6.0	5.0	—			
278045N	30,000			7.0	6.0	5.0			
279634N	30,000			7.75	6.75	—			
101827N	26,000			6.0	—	—		90 Deg.	Left
277959N	26,000			6.5	5.5	—		Straight	Straight
102110N	30,000	1-1/2"	10	6.5	5.5	—	0.625	90 Deg.	Down
278016N	30,000			6.5	5.5	—		Straight	Straight
278017N	30,000			6.0	5.0	—		Straight	Straight
278035N	30,000			7.5	5.5	—		Straight	Straight
288282	26,000			7.0	6.0	5.0		Straight	Straight
286965N	26,000	1-1/2"	28	6.0	5.0	—	0.5	Straight	Straight
288753N	26,000			6.5	5.5	—		Straight	Straight
287899N	30,000			6.5	5.5	—		Straight	Straight
101133N	26,000			6.0	5.0	—		Straight	Straight
101134	26,000			6.5	5.5	—		Straight	Straight
101289N	26,000	1-1/2"	28	6.5	5.5	—	0.625	90 Deg.	Right
101290N	26,000			6.0	5.0	—		90 Deg.	Right
101214N	30,000			6.5	5.5	—		Straight	Straight
101215N	30,000			6.0	5.0	—		Straight	Straight
101216N	30,000			7.0	—	—		Straight	Straight
283411	26,000	1-5/8"	37	6.0	—	—	0.5	Straight	Straight



Offset Arm

Left Hand (LH) Shown –
Right Hand (RH) Opposite

Service New Pc. No.	SAE Torque Rating-lbs	Spline	Teeth	Arm Length (In.)			Bushing Dia.	Lube Fitting	Offset	Handed
				A	B	C				
278288				6.0	5.0	4.0				RH
278289				6.0	5.0	4.0				LH
278294N	26,000	1-1/4"	10	5.5	4.5	—	0.5	Straight	0.625	RH
278295				5.5	4.5	—				LH
278252				5.5	4.5	—				RH
278253				5.5	4.5	—				LH
279300N				5.25	—	—				RH
279301N				5.25	—	—				LH
279946N	26,000	1-1/2"	10	7.0	6.0	—	0.5	Straight	0.625	RH
279947N				7.0	6.0	—				LH
280424				6.0	5.0	4.0				RH
280425				6.0	5.0	4.0				LH
282560				6.5	5.5	—				RH
282561				6.5	5.5	—				LH
279309				5.75	—	—				LH
279350	20,000	1-1/2"	10	7.0	—	—	0.5	Straight	1.5	RH
279351N				7.0	—	—				LH
288539N				6.5	5.5	—				RH
288540N				6.5	5.5	—				LH
288541N				6.0	5.0	—				RH
288542N				6.0	5.0	—				LH
101413N				5.5	—	—				LH
101414N	20,000	1-1/2"	28	5.5	—	—	0.5	Straight	1.5	RH
287896				6.5	5.5	—				RH
287897				6.5	5.5	—				LH



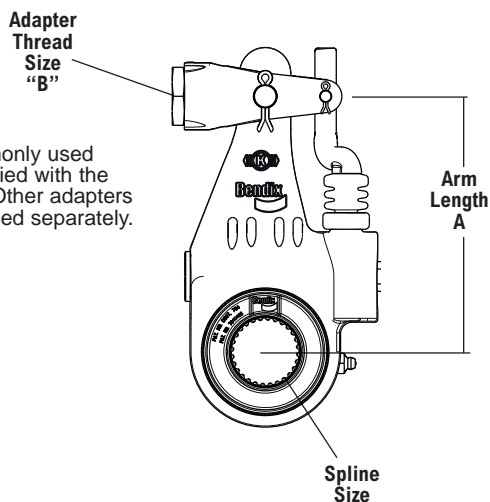
Bendix® Versajust® Automatic Slack Adjuster

V.M.R.S. 013-001-030 (FRONT)
013-002-028 (REAR)

Bendix® Versajust® Automatic Slack Adjuster Maintenance Kits

Kit Pc. No.	Description
107162	1/2" Adapter Kit - Quick Connect
107161N	5/8" Adapter Kit - Quick Connect
K041758	Quick Connect Yoke Kit
K154438	Easy-On Yoke Kit

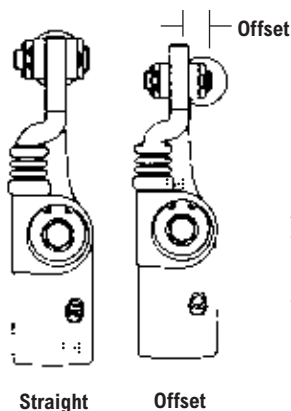
Kit contents are shown at the end of this catalog section.



The most commonly used adapter is supplied with the slack adjuster. Other adapters may be purchased separately.



Bendix® Versajust® Automatic Slack Adjuster Exterior



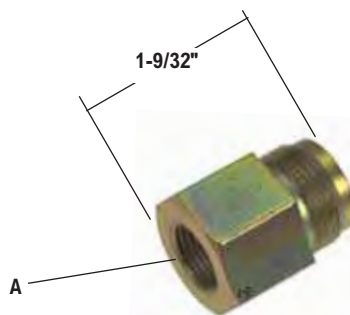
All offset slack adjusters are provided as shown. If the opposite offset is needed remove the yoke and rotate 180°.

Standard Adapter



Service New Pc. No.	A Push Rod Thread Size
291452N	5/8"-18 UNF
292756N	1/2"-20 UNF

Extended Adapter



Service New Pc. No.	A Push Rod Thread Size
297700N	5/8"-18 UNF
297701N	1/2"-20 UNF

Slack Adjuster Service Assy. Pc. No.	Arm Length A	Adapter Thread Size B	Yoke Offset	Service Parts / Kits	
				Adapter	Yoke
VERSAJUST® AUTOMATIC SLACK ADJUSTER					
1 1/2"-10C Spline					
K041870	5-1/2"	5/8"-18	Straight	291452N	K154438
K041876	6"	5/8"-18	Straight	291452N	K154438
1 1/2"-28 Spline					
K043197	5-1/2"	5/8"-18	Straight	291452N	K154438
K041877	6"	5/8"-18	Straight	291452N	K154438
ASA-5® AUTOMATIC SLACK ADJUSTER					
1 1/4"-10C Spline					
065162	5"	1/2"-20	5/8"	292756N	107160
065163	5-1/2"	5/8"-18	5/8"	291452N	107160
065244	5-1/2"	1/2"-20	5/8"	292756N	107160
065164	5-1/2"	1/2"-20	Straight	292756N	107158
801351	5-1/2"	5/8"-18	Straight	291452N	107158
1 1/4"-24 Spline					
065166	5"	1/2"-20	5/8"	292756N	107160
065167	5-1/2"	5/8"-18	Straight	291452N	107158
065274	5-1/2"	1/2"-20	Straight	292756N	107158
1 5/8"-37 Spline					
065177	6"	5/8"-18	Straight	291452N	107158
065178	5-1/2"	5/8"-18	Straight	291452N	107158

The easy-on-yoke assemblies are standard on the Bendix® Versajust® and ASA-5® service basic slack adjusters. If the quick connect yoke is required, it must be purchased separately and installed by the customer.

All Bendix® Versajust® and ASA-5® slack adjusters are supplied with a 45° lube fitting unless otherwise noted.



1/2" Adapter Kit - Quick Connect Pc. No. 107162
(For Bendix® ASA-5® or
Versajust® Automatic Slack Adjusters)

5/8" Adapter Kit - Quick Connect Pc. No. 107161N
(For ASA-5 or Versajust Automatic Slack Adjusters)



Quick Connect Yoke Kit (Offset) - Pc. No. 107159
(For ASA-5 Automatic Slack Adjusters Only)



Easy-On Yoke Kit (Offset) - Pc. No. 107160
(For ASA-5 Automatic Slack Adjusters Only)



Quick Connect Yoke Kit (Straight) - Pc. No. 107157
(For ASA-5 Automatic Slack Adjusters Only)



Easy-On Yoke Kit (Straight) - Pc. No. 107158
(For ASA-5 Automatic Slack Adjusters Only)



Quick Connect Yoke Kit - Pc. No. K041758
(For Versajust Automatic Slack Adjusters)



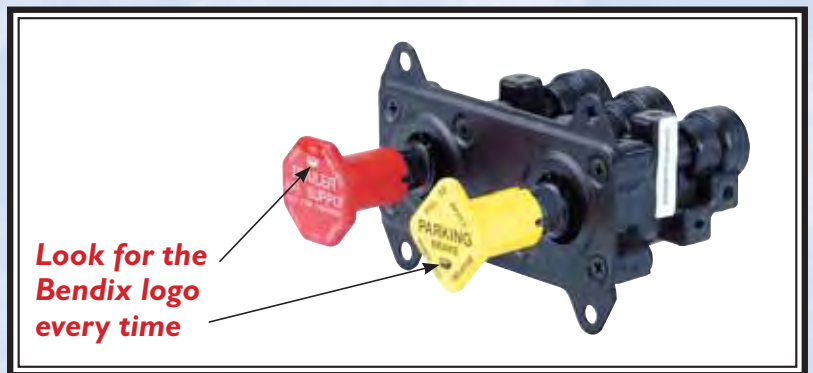
Easy-On Yoke Kit - Pc. No. K154438
(For Versajust® Slack Adjusters)

The competition falls apart in your hands ... **LITERALLY!**



Knock-off

Knock-offs, bought right off the shelf, failed in less than 400 park applications. That's approximately one month of operation.



Genuine Bendix® MV-3® Dash Valve

*Reliable. Durable. Built to last.
The only true OE replacement.*



Why cut corners? Protect your vehicle by using only genuine Bendix® parts.

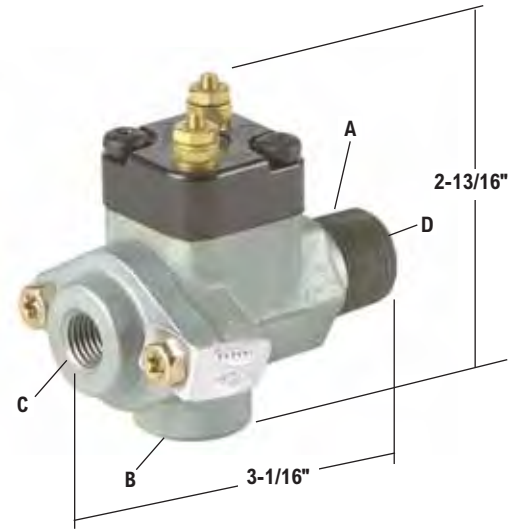


Bendix® DS-1™ Combined Stop Light Switch Double Check Valve

- Available Remanufactured Exchange
- Field Maintenance Kit 276142

V.M.R.S. 13-010-038

Reman. Exch. Pc. No.	Service New Pc. No.	A Male P.T.	B Female P.T.	C Female P.T.	D Female P.T.	E Terminal Thread
228050RX	228050N	1/2"	1/4"	1/4"	–	8-32
228165RX	228165N	3/8"	1/4"	1/4"	–	8-32
228520RX	228520N	1/2"	3/8"	1/4"	–	8-32
229493RX	–	1/2"	1/4"	1/4"	1/4"	8-32

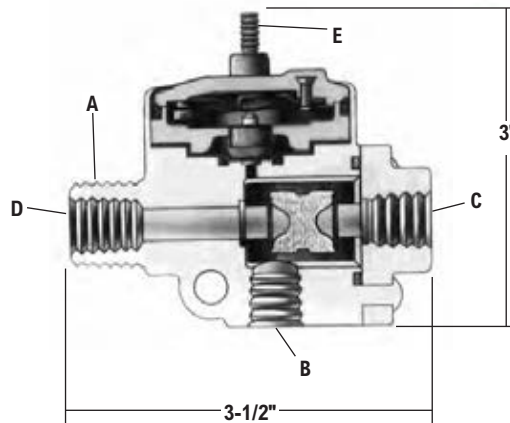


Maintenance Kit Pc. No. 276142

Bendix® DS-2™ Combined Stop Light Switch Double Check Valve

V.M.R.S. 13-010-038

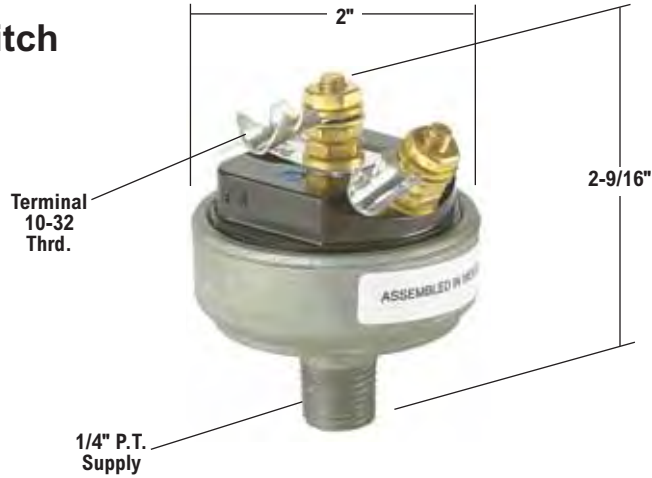
Service New Pc. No.	A Male P.T.	B Female P.T.	C Female P.T.	D Female P.T.	E Terminal Thread
104563	3/8"	3/8"	1/4"	–	8-32
286452N	3/8"	3/8"	3/8"	–	8-32
286453N	3/8"	3/8"	3/8"	–	10-32
286704	–	3/8"	3/8"	3/8"	10-32



Bendix® SL-3™ Stop Light Switch

V.M.R.S. 34-002-008

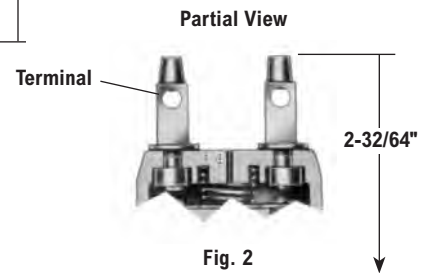
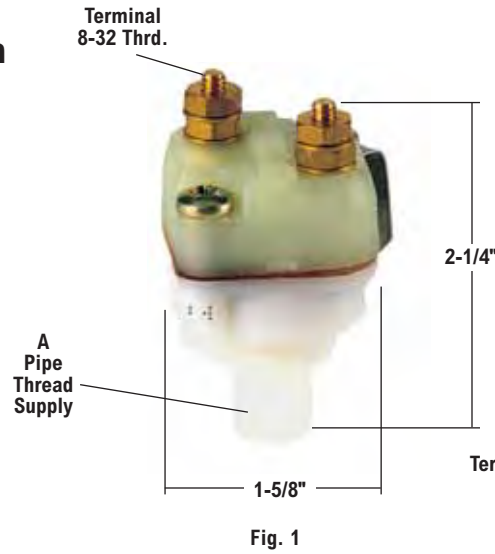
Service New Pc. No.
226262N



Bendix® SL-4™ Stop Light Switch

V.M.R.S. 34-002-008

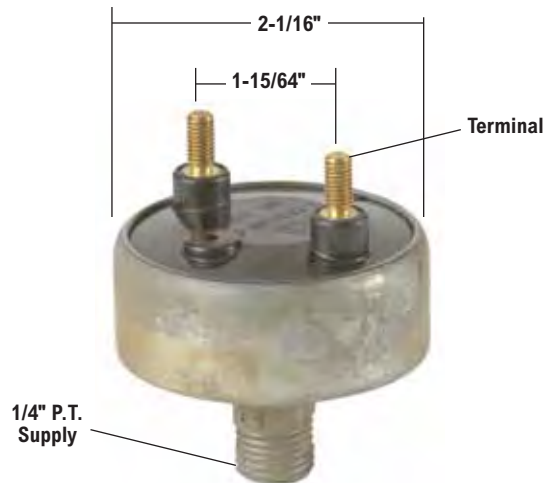
Service New Pc. No.	A Pipe Thread	Fig. No.
228687N	3/8"	1
228688	1/4"	2
274746N	1/4"	1



Bendix® SL-5™ Stop Light Switch

V.M.R.S. 34-002-008

Service New Pc. No.	Terminal Thread Size
286392N	8-32
286404N	10-32

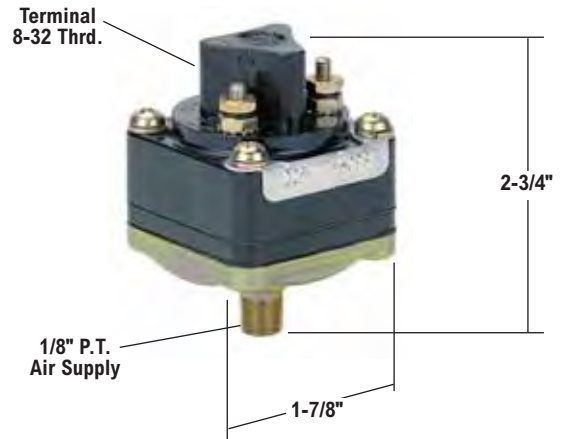


Bendix® TE-1™ Trailer Emergency Stop Light Switch

V.M.R.S. 34-002-008

Service New Pc. No.
228477

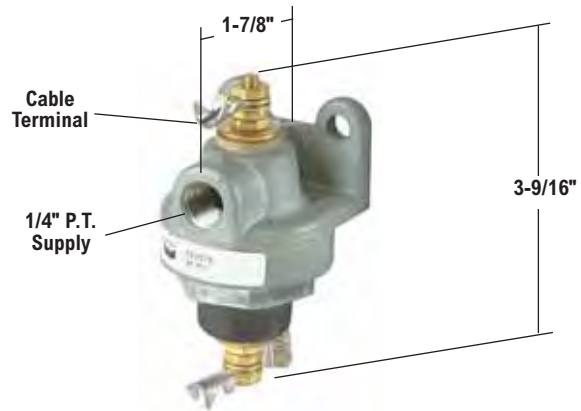
Circuit between terminals to be closed from 60 PSI to 0 PSI



Bendix® LP-2™ Low Pressure Indicator

V.M.R.S. 03-001-037

Service New Pc. No.	Cut-Out Pressure P.S.I.	Remarks
223578N	60 + 5 - 0	
224044	70 ± 6	Without Cable Terminal
288408	60 ± 6	Weatherproof



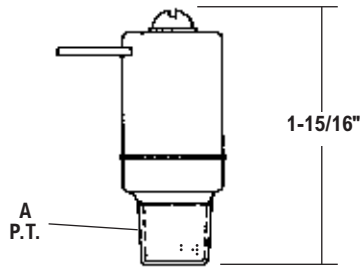
Bendix® LP-3™ Low Pressure Indicator

V.M.R.S. 03-001-037

Single Terminal

Service New Pc. No.	Cut-Out Pressure P.S.I.	A Pipe Thread
*104246N	66 ± 6	1/4"
279416N	60 ± 6	1/4"
279472	75 ± 6	1/4"
280530N	70 ± 6	1/4"
289397N	75 ± 6	1/8"

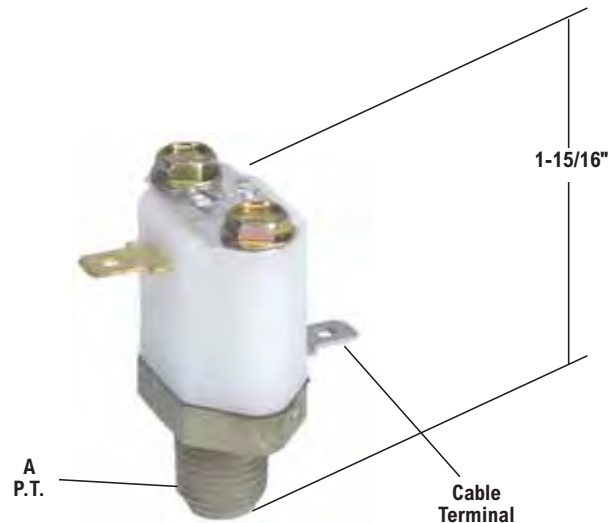
*Push on terminal



Double Terminal

Service New Pc. No.	Cut-Out Pressure P.S.I.	A Pipe Thread	Comments
228750N	60 ± 6	1/4"	
**275083N	—	1/4"	
276599N	30 ± 3	1/4"	
277155N	50 ± 5	1/4"	
*280743N	60 ± 6	1/4"	w/o cable terminal
284793N	80 ± 6	1/4"	w/o cable terminal
284833N	70 ± 6	1/4"	w/o cable terminal
283029N	60 ± 6	1/4"	w/o cable terminal
288522	66 ± 6	1/4"	w/o cable terminal

**Pc. No. 275083N has a cut-in pressure of 75 ± 6 PSI



Air Horn Kits

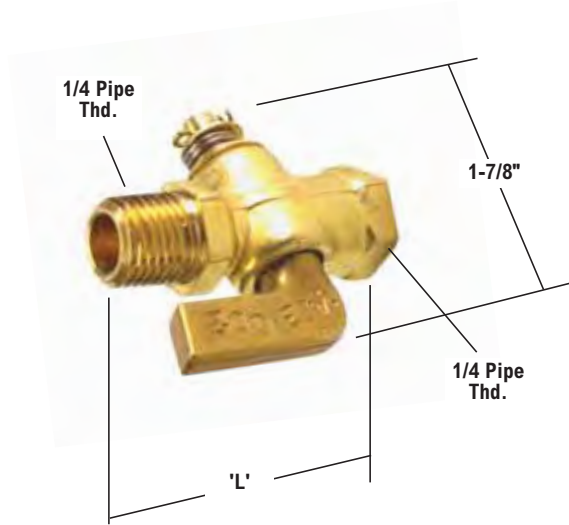
- Kits Include Horn Valve, Tubing & Fittings

Air Horn Kits	Application Description
207945N	Includes Hand Operated Horn Valve 228013
207946	Includes Foot Operated Horn Valve 228672

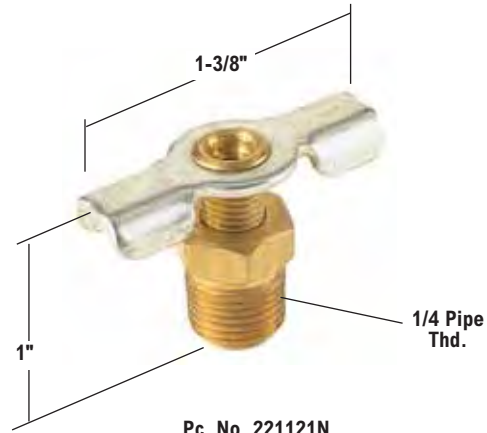


Bendix® C-1™ and C-3™ Cut-Out Cocks

Service New Pc. No.	'L' Length	Comments
220332N	1-7/8"	Closed as shown
226338N	1-7/8"	Open as shown
276068N	2-3/8"	Closed as shown



Pc. No. 103385N



Pc. No. 221121N

Bendix® C-5™ Cut-Out Cocks

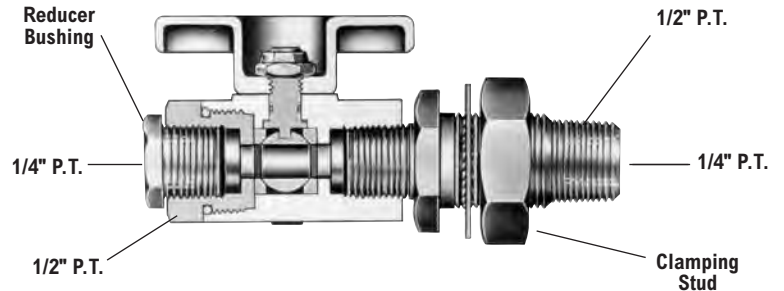
• Maintenance Kit 285938



Service New Pc. No.	Clamping Stud Pc. No.	Reducer Bushing Pc. No.
285172N	NONE	NONE
285697	205730N	212741



Bendix® C-5™ Valve Maintenance Kit Pc. No. 285938



YOU DIDN'T HAVE TO SETTLE FOR A KNOCKOFF PART.

You could've used genuine Bendix® parts. When you buy knockoff parts without the genuine Bendix name and logo, you're taking serious risks. And a breakdown like this is far from a worst-case scenario. Genuine Bendix parts are rigorously tested and backed by the best warranties and customer service in the business. Our parts are the industry standard for active safety and braking system technologies. From air compressors to air dryers and valves, from wheel-end solutions to electronics and energy management systems, North America's leading OE manufacturers choose genuine Bendix products. So don't be fooled by risky knockoffs and look-alikes. They can deliver poor performance, lead to breakdowns, and compromise safety. Demand genuine Bendix parts. You can't afford anything less.



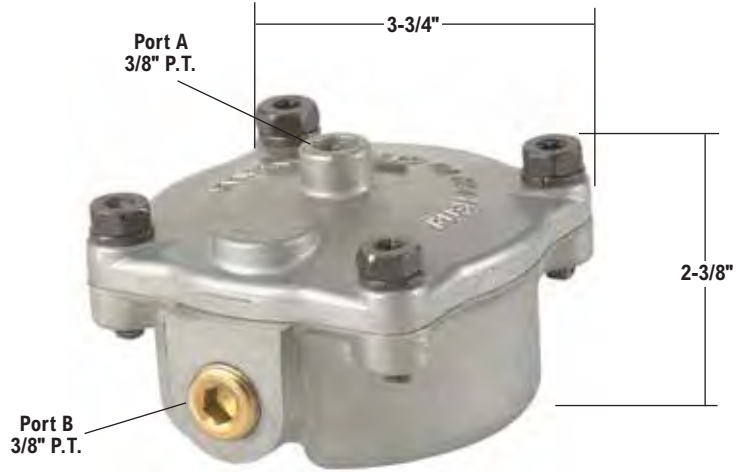
1-800-AIR-BRAKE www.bendix.com

©2012 Bendix Commercial Vehicle Systems LLC, a member of the Knorr-Bremse Group

Bendix® DV-2™ Automatic Reservoir Drain Valve

- Available Remanufactured Exchange
- Maintenance Kit 282134

V.M.R.S. 13-010-007



Reman. Exch. Pc. No.	Service New Pc. No.	Port A		Port B		Heater System
		1/4" Adapter Pc. No.	Pipe Plug Pc. No.	1/4" Adapter Pc. No.	Pipe Plug Pc. No.	
281923RX	281923N	293248N	–	–	233057N	–
281924RX	281924N	–	233057N	293248N	–	–
284412RX	284412N	293248N	–	–	233057N	12V
–	284795N	–	233057N	293248N	–	12V
284412RX	284817N	293248N	–	–	233057N	24V
–	800077	293248N	–	–	233057N	12V



Maintenance Kit Pc. No. 282134

Copper Tubing and Tubing Clamps

V.M.R.S. 13-010-053

Tubing Outside Diameter	Tubing Length	Carton of Coiled Copper Tubing Pc. No.
1/4"	25 Ft.	279567
1/4"	50 Ft.	279568
5/16"	25 Ft.	279569
5/16"	50 Ft.	279570
3/8"	25 Ft.	279571
3/8"	50 Ft.	279572
1/2"	25 Ft.	279573
1/2"	50 Ft.	279574
5/8"	25 Ft.	279575
3/4"	25 Ft.	279576

All tubing above conforms with SAE Spec. J1149.

For Tubing O.D. Size	Tubing Clamp (Rubber Covered) Pc. No.
1/4"	232821N
5/16"	232822N
3/8"	232823N
1/2"	232824N
5/8"	232825
3/4"	232826N
1"	232827

SAE Standard J844 Nylon Tubing

V.M.R.S. 13-010-003

O.D. (Inches)	Wall Thickness (Inches)	Length Feet	Tubing Color	Nylon Tubing Pc. No.
1/8	.023	100	Black	249094
1/8	.023	1000	Black	112429
1/4	.040	100	Black	246113
1/4	.040	250	Black	246114
1/4	.040	100	Red	248441
1/4	.040	100	Yellow	248442
1/4	.040	100	Green	248443
1/4	.040	1000	Black	291995
5/16	.046	100	Black	249095
3/8	.062	100	Black	246115N
3/8	.062	250	Black	246116
3/8	.062	100	Red	248444N
3/8	.062	100	Yellow	248445
3/8	.062	100	Green	248446
3/8	.062	100	Orange	248447
3/8	.062	500	Black	291996
1/2	.062	100	Black	246117
1/2	.062	250	Black	246118
1/2	.062	100	Red	248448
1/2	.062	100	Green	248449N
1/2	.062	100	Orange	248450
1/2	.062	500	Black	291997
5/8	.092	100	Black	247606
3/4	.092	100	Black	247607
3/4	.092	100	Green	248451

Each carton of Nylon Tubing is designed for self dispensing. Adaptable for use with Standard Air Brake Fittings with the use of inserts.

Tube Inserts for Nylon Tubing



Can be used with standard Bendix tubing fittings.

For Tube Size O.D.	Service New Pc. No.
1/4"	246088N
5/16"	292802
3/8"	246089N
1/2"	246090N
5/8"	247608
3/4"	246091N

Standard Nuts and Sleeves



Nut

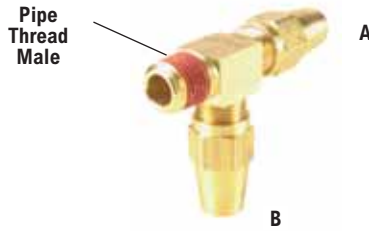


Sleeve

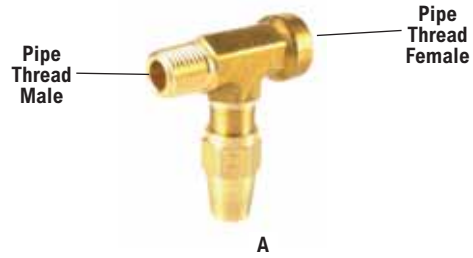
The tubing O.D. size determines the nut and sleeve used.

For Tubing Size O.D.	Nut Pc. No.	Sleeve Pc. No.
1/4"	200455	200457N
5/16"	200363	200364
3/8"	200360N	200361N
1/2"	203755N	203754N
5/8"	210613	210612N
3/4"	203896	203897
1"	203899	203900

Tubing Fittings (cont.)



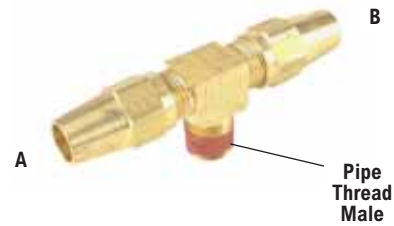
Pipe Thread Male	A Tubing O.D.	B Tubing O.D.	Tee Service New Pc. No.
1/8"	1/4"	1/4"	221978N
1/4"	3/8"	3/8"	205104N
3/8"	3/8"	3/8"	217050
3/8"	3/8"	1/2"	224647N



P.T. Female	P.T. Male	A Tubing O.D.	Tee Service New Pc. No.
1/4"	1/4"	3/8"	217619N
1/4"	3/8"	1/2"	224799N
1/2"	3/8"	3/8"	223664



P.T. Female	P.T. Male	A Tubing O.D.	Tee Service New Pc. No.
1/4"	1/4"	3/8"	215954
1/4"	3/8"	1/2"	217640N
3/8"	1/2"	1/2"	275284N



P.T. Male	A Tubing O.D.	B Tubing O.D.	Tee Service New Pc. No.
1/8"	1/4"	1/4"	205182N
1/8"	3/8"	3/8"	217051N
1/4"	1/4"	3/8"	225838
1/4"	3/8"	3/8"	205103N
3/8"	3/8"	3/8"	205177N
3/8"	1/2"	3/8"	224645N
3/8"	1/2"	1/2"	215700
1/2"	1/2"	1/2"	224721N
1/2"	5/8"	5/8"	221982



A Tubing O.D.	B Tubing O.D.	Union Service New Pc. No.
1/4"	1/4"	205514
3/8"	3/8"	205134N
1/2"	1/2"	215710
5/8"	5/8"	221826
3/4"	3/4"	216523
1"	1"	216339N

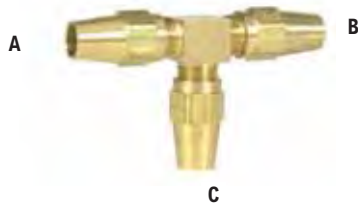


P.T. Female	A Tubing O.D.	B Tubing O.D.	Tee Service New Pc. No.
1/4"	3/8"	3/8"	224681N

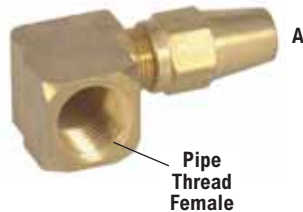
Tubeing Fittings (cont.)



P.T. Female	A Tubing O.D.	Connector Service New Pc. No.
1/8"	1/4"	205101N
1/4"	3/8"	205826
3/8"	3/8"	205827
3/8"	1/2"	215711
1/2"	1/2"	225561
1/2"	5/8"	221987N
1/2"	3/4"	229738N



A Tubing O.D.	B Tubing O.D.	C Tubing O.D.	Tee Service New Pc. No.
1/4"	1/4"	1/4"	221979N
3/8"	3/8"	1/4"	225760N
3/8"	3/8"	3/8"	205106N
1/2"	1/2"	3/8"	225836N
1/2"	1/2"	1/2"	215712N
5/8"	5/8"	3/8"	222064N
5/8"	5/8"	5/8"	221984



P.T. Female	A Tubing O.D.	Elbow Service New Pc. No.
1/8"	1/4"	221977N
1/4"	3/8"	205135
3/8"	3/8"	205830
1/2"	5/8"	221983



P.T. Male	A Tubing O.D.	Connector Service New Pc. No.
1/8"	1/4"	205127N
1/8"	3/8"	205509N
1/4"	1/4"	205183N
1/4"	5/16"	205054
1/4"	3/8"	205053
1/4"	1/2"	217690N
3/8"	3/8"	205824N
3/8"	1/2"	217525N
3/8"	5/8"	216685
1/2"	3/8"	222063
1/2"	1/2"	217691N
1/2"	5/8"	216684N
1/2"	3/4"	217621N
3/4"	1/2"	217689N
3/4"	3/4"	215762
3/4"	1"	225786N
1"	1"	215763



P.T. Male	A Tubing O.D.	B Height To Tubing Center	Elbow Service New Pc. No.
1/8"	3/8"	1-7/8"	215953
1/8"	1/4"	3/4"	205539N
1/8"	3/8"	31/32"	205522N
1/2"	3/4"	1-3/8"	217504N
1/4"	1/4"	15/16"	224318N
1/4"	3/8"	31/32"	205102N
1/4"	3/8"	1-7/16"	222858N
1/4"	1/2"	1-1/8"	220475N
3/8"	3/8"	15/16"	205829N
3/8"	1/2"	1-1/8"	215709N
3/8"	5/8"	1-5/32"	221993N
1/2"	3/8"	1-5/16"	222062N
1/2"	1/2"	1-5/16"	216310N
1/2"	5/8"	1-3/8"	221825N
3/4"	1/2"	1-5/16"	221536N
3/4"	5/8"	1-5/16"	229108N
3/4"	3/4"	1-3/8"	216520N

Tubing Fittings (cont.)



Reducing Bushing Pc. No.	Pipe Thread	
	A	B
Brass		
212862N	3/8"	1/4"
230130N	1/2"	1/4"
230808N	1/2"	3/8"
Steel		
212349N	1/2"	3/8"
234680	3/4"	1/2"



A Tubing O.D.	B Tubing O.D.	Elbow Pc. No.
3/8"	3/8"	205113



P.T. Male	A Tubing O.D.	Elbow (45°) Pc. No.
1/4"	3/8"	220722N
3/8"	3/8"	220291
3/8"	1/2"	220292
1/2"	3/8"	225650
1/2"	1/2"	227162
1/2"	5/8"	222065

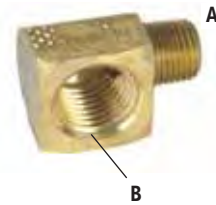
Miscellaneous Fittings

V.M.R.S. 13-009-016

P.T.		Street Elbow 90° Pc. No.
A	B	
Brass		
1/8"	1/8"	233567
1/4"	1/4"	233568
3/8"	3/8"	233569N
1/2"	1/2"	233570
3/4"	3/4"	233571



P.T.		Reducing Elbow 90° Pc. No.
A	B	
Brass		
1/8"	1/4"	232871N



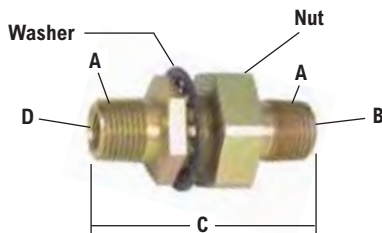
Miscellaneous Fittings (cont.)



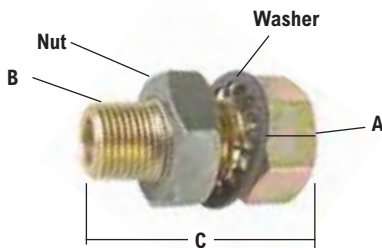
A Pipe Tap	B Pipe Tap	Anchor Elbow Pc. No.
1/4"	1/4"	201030N
3/8"	3/8"	212765N



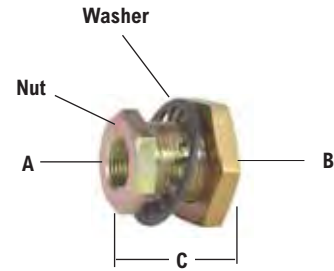
A Pipe Tap	B Pipe Tap	Anchor Elbow Pc. No.
1/4"	1/4"	201010N
3/8"	3/8"	233420N



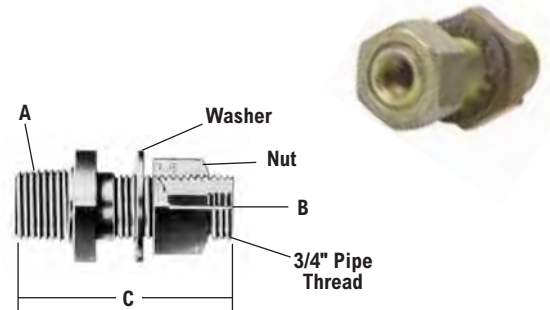
A P.T.	B Pipe Tap	C Length	D Pipe Tap	Clamping Stud Pc. No.
1/2"	1/4"	2-15/16"	—	205730N
1/2"	1/4"	3-15/16"	—	223464
1/2"	1/4"	2-15/16"	1/4"	228146



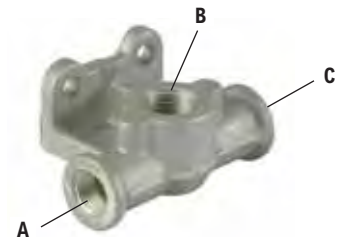
A Pipe Tap	B P.T.	C Length	Anchor Coupling Pc. No.
3/8"	3/8"	1-7/8"	215672N



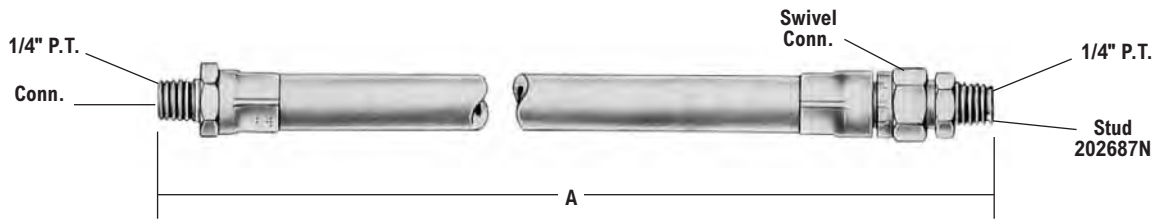
A Pipe Tap	B Pipe Tap	C Length	Anchor Coupling Pc. No.
1/8"	1/8"	1-17/32"	225740N
1/4"	1/4"	31/32"	221204N
1/4"	1/4"	1-17/32"	205465N
3/8"	3/8"	1-5/16"	217709N



A P.T.	B Pipe Tap	C Length	Clamping Stud Pc. No.
1/2"	1/4"	2-1/8"	205498N
1/2"	1/4"	2-1/2"	205499



A Pipe Tap	B Pipe Tap	C Pipe Tap	Anchor Tee Pc. No.
1/4"	3/8"	1/4"	231379N
3/8"	3/8"	3/8"	236056N
3/8"	1/2"	3/8"	239727N



BW-304-M Type B 3/8" I.D. x 3/4" O.D.

3/8" I.D. TYPE B HOSE

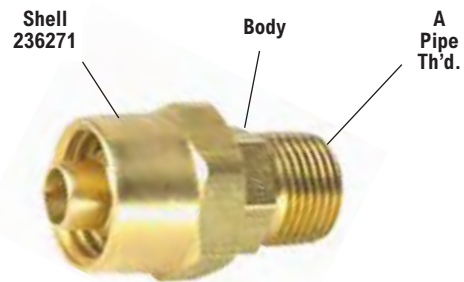
A Overall Length	Hose Assembly Pc. No.	A Overall Length	Hose Assembly Pc. No.	A Overall Length	Hose Assembly Pc. No.	A Overall Length	Hose Assembly Pc. No.
15-1/8	228533	24-7/8	228544N	32	228552	45-1/8	228563
18-5/8	228535	26-7/8	228547	34-3/8	228554	50-1/8	228565
20-3/8	228539	27-5/8	228548	36-1/8	228555	54-1/8	228566
22-5/8	228541N	29-1/8	228549	38-1/8	228557	68-5/8	228567
24-1/8	228472	30-1/8	228550	42-5/8	228561		

FOR 3/4 O.D. x 3/8 I.D. HOSE

Hose Connector

For BW-101-M & BW-304-M Hose

A P.T.	Hose Connector Pc. No.	Body Pc. No.
1/4"	226134	236268
3/8"	226135	236269
1/2"	226136	236270

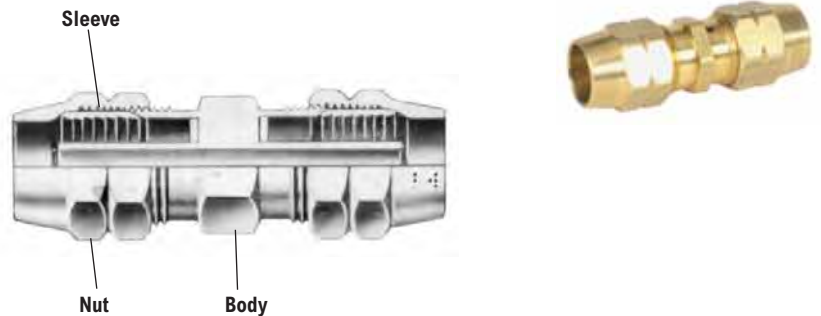


FOR 3/4 O.D. x 3/8 I.D. HOSE

Hose Union

For BW-101-M & BW-304-M Hose

Hose Union Pc. No.	Body Pc. No.	Sleeve 2 Required Pc. No.	Nut 2 Required Pc. No.
216678	216694	203610N	203624

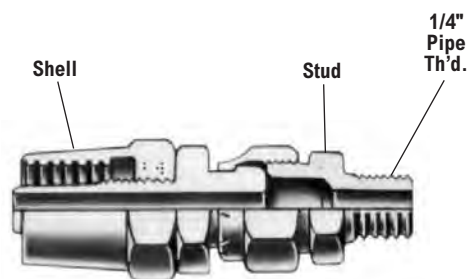


FOR 3/4 O.D. x 3/8 I.D. HOSE

Hose Connector (Swivel)

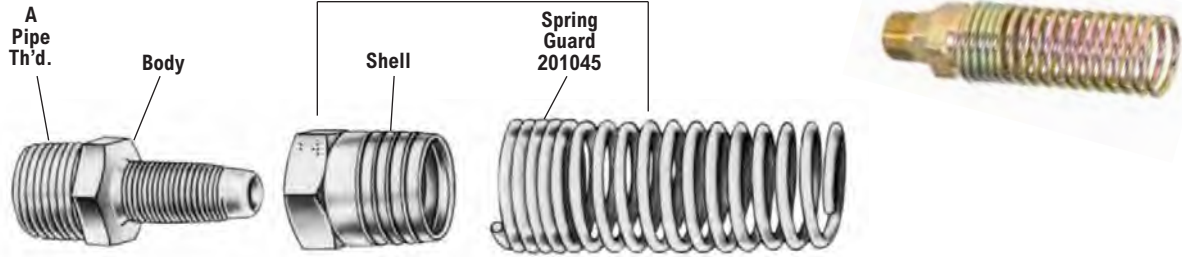
For BW-101-M & BW-304-M Hose

Hose Connector (Swivel) Pc. No.	Stud Pc. No.	Shell Pc. No.
226293N	202687N	236271



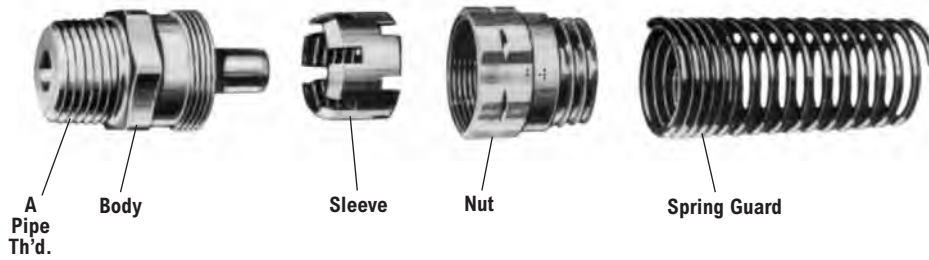
Shell and Spring Assy.
226950

FOR 3/4 O.D. x 3/8 I.D. HOSE



Hose Connector with Spring Guard For BW-101-M & BW-304-M Hose

A P.T.	Hose Connector with Spring Guard Pc. No.	Body Pc. No.
1/4"	226137	236268
3/8"	226138	236269
1/2"	226139N	236270



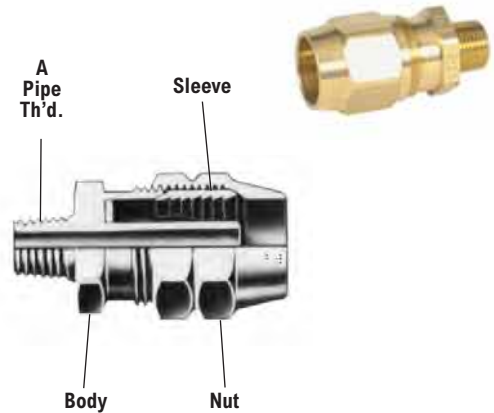
Hose Connector with Spring Guard

A P.T.	For Hose	Body Pc. No.	Sleeve Pc. No.	Nut Pc. No.	Spring Guard Pc. No.	Hose Connector with Spring Pc. No.
1/4"	3/8" I.D. Types A & B	215993	203610N	203613	201045	215536N
3/8"	3/8" I.D. Types A & B	233470	203610N	203613	201045	223907N
3/8"	7/16" I.D. Types A & B	216173	204741	204742	204743	216172
1/2"	3/8" I.D. Types A & B	215992	203610N	203613	201045	215535N

Hose Fittings

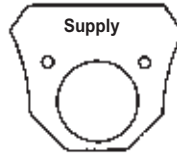
Hose Connector

A P.T.	For Hose No.	Hose Connector Pc. No.	Body Pc. No.	Sleeve Pc. No.	Nut Pc. No.
1/2"	BW-101 & 304-M	215539	215992	203610N	203624
1/4"	BW-101 & 304-M	215540N	215993	203610N	203624
3/8"	BW-127 & 348-M	217604	216173	204741	212318
3/8"	BW-101 & 304-M	224887	233470	203610N	203624

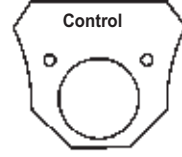


Hose Suspension Spring

Description	Spring Pc. No.
3/4" Dia.-Std.	200661N
1" Dia.-H.D.	249393
1-1/16" Dia.-H.D.	249394



Connection Tag
For 'Supply' Hose Line
Pc. No. 201499N



Connection Tag
For 'Control' Hose Line
Pc. No. 201500N

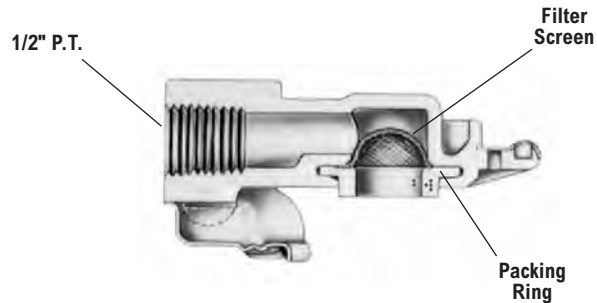
Hose Couplings

V.M.R.S. 13-010-030
13-010-031

Bendix® HC-1™ Hose Coupling

Pc. No.	Filter Screen Pc. No.	Coupling Identification
275150N	None	None
*275824	None	None
278698N	241839N	None

* With 1/2" Nipple Pc. No. 212324N



Bendix® HC-2™ Hose Coupling

Hose Coupling Pc. No.	Filter Screen Pc. No.	Coupling Identification
278850N	None	Control
278851N	None	Supply
278852N	241839N	Control
278853N	241839N	Supply

Filter Screen



Pc. No. 241839N
Fits All Couplings

Packing Rings



Pc. No. 213630N
Standard



Pc. No. 248579
Double Lip
Fits All Couplings

Dummy Couplings

Dummy Coupling with Chain Service New Pc. No.	Rivet Eye	Hole Dia.	Chain Pc. No.
220635N	None	1/8"	212930
220636N	None	None	212930
224810N	Included	None	212930
277994	None	None	212930

Dummy Coupling Service New Pc. No.	Hole Dia.
212227N	None
291991N	3/16"



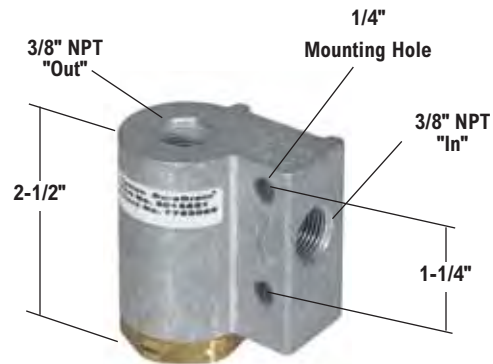
Air Dryers 08

Water Separator and Trailer Air Dryer

Bendix® Cyclone DuraDrain™ Water Separator

- Removes moisture
- Purge Nut Kit Pc. No. 5013824
- Mounting Spacer Kit Pc. No. 5014792

Service New Pc. No.
801747



Bendix® Trailer System-Guard® Air Dryer

- Removes both moisture and solid contaminants

Service New Pc. No.
800765



All Supply and Control ports 1/4" NPT

Bendix® PuraGuard® Filter

- For service new replacement assembly use PuraGuard® QC Filter Service Pc. No. 801731
- Maintenance Kit Pc. No. 5006788
- Rebuild Kit Pc. No. 5006789



Bendix® PuraGuard® QC Filter

- Mounting Bracket Kit Pc. No. 5013671N
- Cartridge Kit Pc. No. 5013672



Bendix® AF-3™ In-Line Filter

- Removes Solid Contaminants

Service New Pc. No.
801331



Bendix® AD-2® Air Dryer

- End Cover Available Remanufactured Exchange

V.M.R.S. 13-010-033

Bendix® AD-2® Air Dryer Field Installation Kits For Trucks

Reman. Exch. Pc. No.	Service New Pc. No.	Inlet/Outlet Size (P.T.)	Remarks
286934RX	286934N	1/2"	12 V.D.C. - 60 W. Heater

Service/Maintenance Information Maintenance Kits:

Service New Pc. No.	Description
286718	Desiccant Cartridge Refill Kit
287313	Desiccant Cartridge Kit
101900X	Reman. Desiccant Cartridge
287298N	Check Valve Maintenance Kit
287053N	Purge Valve Maintenance Kit
102657N	Thermostat Maintenance Kit
288918	Thermostat Cover Maintenance Kit



End Covers

Reman. Exch. Pc. No.	Service New Pc. No.	Remarks
103253RX	-	24 V.D.C. - 120 W. Heater
286875RX	286875N	12 V.D.C. - 60 W. Heater
286876RX	286876	24 V.D.C. - 60 W. Heater

Bendix® AD-9® Air Dryer

- More Desiccant Works Longer
- Compact Size Saves Space
- Remanufactured Exchange

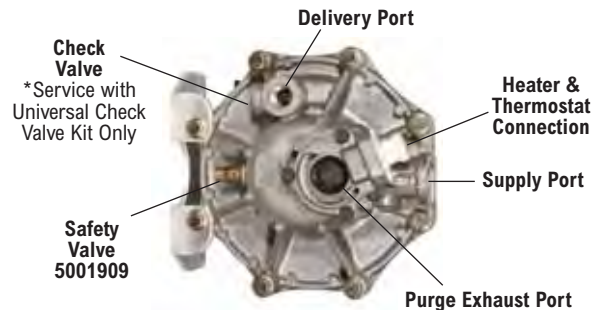
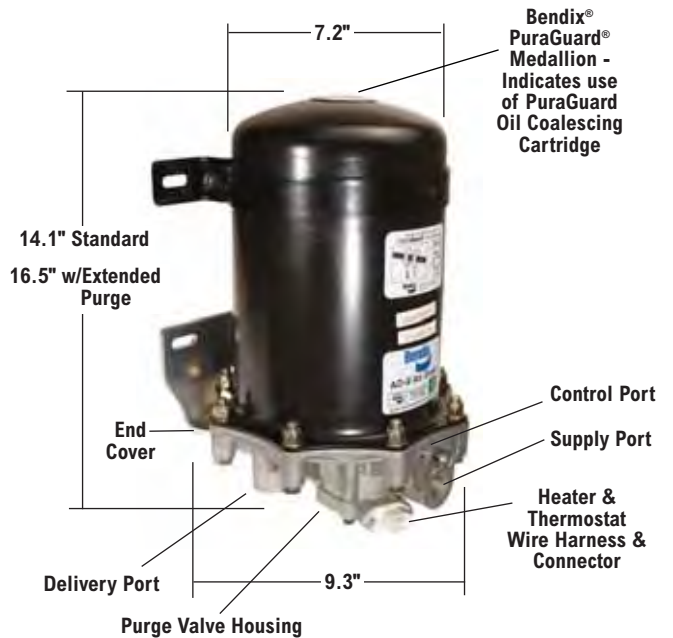
V.M.R.S. 13-010-033

Service New Pc. No.	Reman. Exch. Pc. No.	Purge Volume	Purge Valve	Port Size (P.T.)	Heater	Notes
065225	109685X	Standard	Hard	1/2"	12V / 75W	
065226	109687X	Standard	Hard	3/4"	12V / 75W	
800243	-	Standard	Hard	3/4"	24V / 100W	
065650	109689X	Standard	Soft	1/2"	12V / 75W	
065651	109690X	Standard	Soft	3/4"	12V / 75W	
065652	109691X	Extended	Soft	3/4"	24V / 75W	
065499	-	Standard	DLU	1/2"	12V / 75W	
065605	-	Standard	DLU	3/4"	24V / 75W	
065647	-	Standard	Soft	1/2"	12V / 75W	Drop In*
065243	5000205X	Extended	Hard	1/2"	12V / 75W	
065228	065228RX	Extended	Hard	3/4"	12V / 75W	
800686	-	Extended	Hard	1/2"	24V / 75W	
065227	109688X	Extended	Hard	3/4"	24V / 75W	
803106	5020297X	Standard	Hard	1/2"	12V / 75W	Freightliner® DTNA - Cascadia**

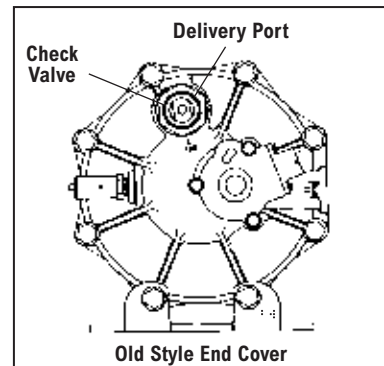
*For use with Holset Series QE Compressors only

**Other Bendix® AD-9® air dryer models can not be used in this application.

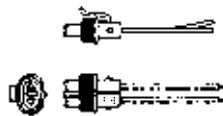
Maintenance Kits and Service Parts	
Piece No.	Description
Check Valve Kits	
107800N	Check Valve Kit 1/2" (Old Style End Cover Only)
107799	Check Valve Kit 3/4" (Old Style End Cover Only)
Desiccant Cartridge Kits	
K092641	Desiccant Cartridge Stabilizer Kit (Cartridge Not Included)
107794X	Reman Exchange
107796	Service New
107796PG	Bendix® PuraGuard® Oil Coalescing Cartridge - Service New
107794PGX	Bendix® PuraGuard® Oil Coalescing Cartridge - Reman Exchange
Purge Valve Kits	
5004479	Hard Seat Purge Valve Kit 12V-75W
5004480	Hard Seat Purge Valve Kit 24V-75W
5004381	Hard Seat Purge Valve Kit 24V-100W
5005037	Hard Seat Purge Valve Maintenance Kit
800405	Soft Seat Purge Valve Kit 12V-75W
5004338	Soft Seat Purge Valve Kit 24V-75W
5005893	Soft Seat Purge Valve Maintenance Kit
5004339	DLU Purge Valve Kit 12V-75W
5004340	DLU Purge Valve Kit 24V-75W
5004341X	Reman. Soft Seat Purge Valve Assembly Kit 12V-75W
5004342X	Reman. Soft Seat Purge Valve Assembly Kit 24V-75W
Heater Kits	
109578	Heater & Thermostat Kit 12V-75W
109579	Heater & Thermostat Kit 24V-75W
5002595	Heater & Thermostat Kit 24V-100W
109871N	Wiring Harness Electrical Splicing Kit
Miscellaneous Kits	
107695	Bracket Kit
5004380	Field Modification Kit For Use With Holset E & QE Compressors (Kit Pc. No. 800405 Included)
5003838	Exhaust Cover Kit - Bendix® AD-9® Air Dryer Only
K021189	Silencer Kit
113209	Universal Mounting Plate
*K041395	Universal Check Valve Kit



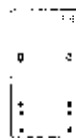
New Style End Cover



Old Style End Cover



Wiring Harness & Connector
Pc. No. 109871N



Universal Mounting Plate
Pc. No. 113209

IMPORTANT: If the Bendix® PuraGuard® oil coalescing cartridge is replaced, it must be replaced with a like unit.

Bendix® AD-SP® Air Dryer

- System Purge

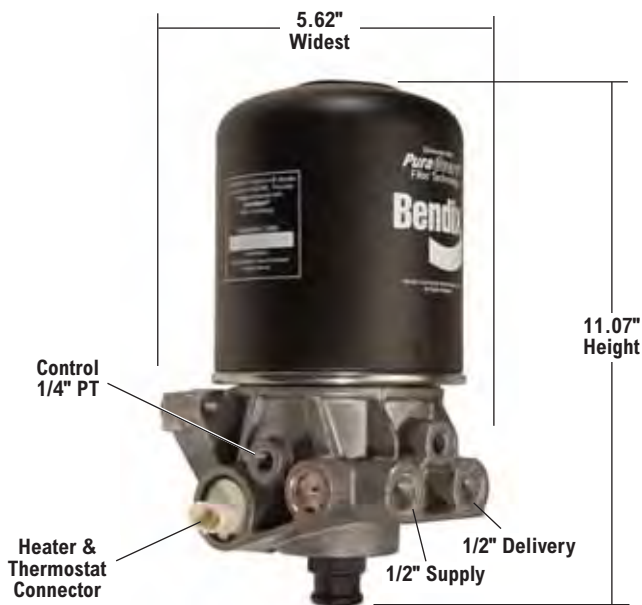
V.M.R.S. 13-010-033

Bendix® AD-SP® Air Dryers & Field Installation Kits

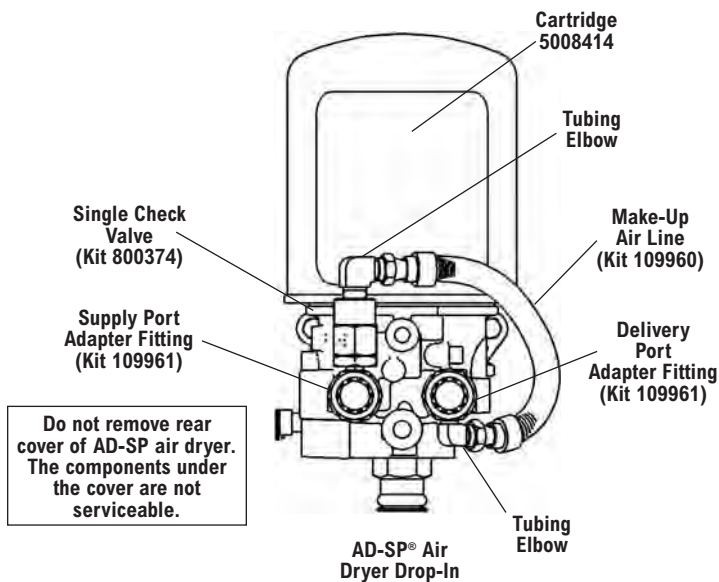
AD-SP® Air Dryer w/ SC-PR™ Valve Service New Pc. No.	AD-SP® Air Dryer Service New Pc. No.	Heater & Thermostat Volts-Watts (See Note 1)
131031	800887	12v-90w
131032	800972	24v-90w

Note 1: 12 & 24 volt AD-SP air dryers are identified by connector color – White = 12v, Gray = 24v

Maintenance Kits and Service Parts	
Desiccant Cartridge Kit	5008414
Bendix® PuraGuard® Oil Coalescing Cartridge Kit	5008414PG
Purge Valve Kit	109995
Check Valve Kit	5005624
Mounting Bolt Kit	5001201
Silencer Kit	K021189
Turbo Cut-off Kit	109993
Heater & Thermostat Kit - 12V	109495
Heater & Thermostat Kit - 24V	109496
Wire Harness & Splice Kit	109871N



Bendix® AD-SP® Air Dryer



Bendix® SC-PR™
Single Check Protection Valve – must be used in conjunction with the Bendix AD-SP Air Dryer 065677 - Service New



IMPORTANT: If the Bendix® PuraGuard® oil coalescing cartridge is replaced, it must be replaced with a like unit.

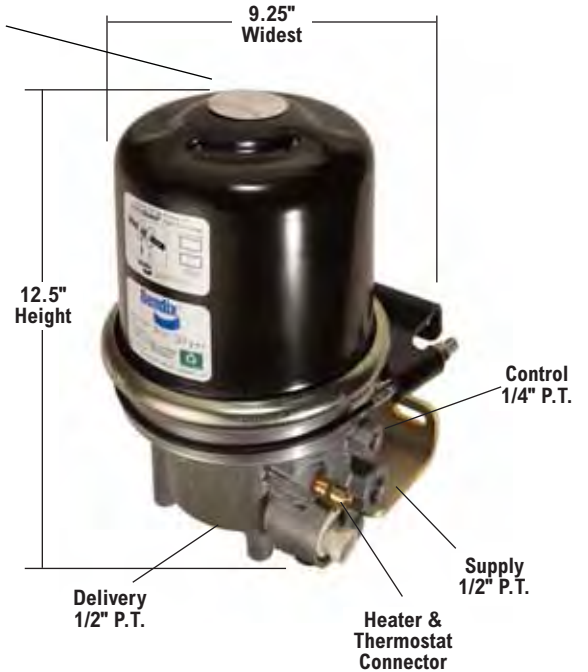
Bendix® AD-IP® Air Dryer

- Integral Purge Air Dryer

V.M.R.S. 13-010-033

Description	Pc. No.
Cartridge Bolt Kit	109498
Desiccant Cartridge Service New	065624
Desiccant Cartridge Remanufactured	109493X
Bendix® PuraGuard® Coalescing Cartridge Kit - Service New	065624PG
PuraGuard Coalescing Cartridge Kit - Reman Exchange	109493PGX
Delivery Check Valve Kit	109494
Exhaust Cover Kit	5011327
Extended Purge Kit 3/8" U-Bolt; 90in ³ Reservoir	5012561N
Extended Purge Kit 3/8" U-Bolt; 288in ³ Reservoir	5008972N
Extended Purge Kit 1/2" U-Bolt; 90in ³ Reservoir	5005309N
12 Volt Heater & Thermostat Kit	109495
24 Volt Heater & Thermostat Kit	109496
Mounting Bracket Kit	5001247
Silencer Kit	K021189
Wiring Harness & Splicing Kit	109871N

Bendix® PuraGuard® Medallion - Indicates use of PuraGuard Oil Coalescing Cartridge



For purge valve kits see the Bendix® AD-IS® and AD-IP® Air Dryer Purge Valve Maintenance Kit section of this catalog.

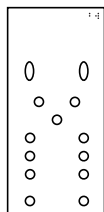
Service New Pc. No.	Reman. Exch. Pc. No.	Supply Port	Delivery Port	Heater & Thermo. Volts-Watt	Comments
065612	109477X	1/2" PT	1/2" PT	12v - 90w	Notes 2, 3, 4
065613	109478X	1/2" PT	1/2" PT	24v - 90w	Notes 2, 3, 4
065693	109503X	1/2" PT	1/2" PT	12v - 90w	Notes 1, 2
800089	5000985X	1/2" PT	1/2" PT	12v - 90w	Notes 2, 3, 4
800618	5006234X	1/2" PT	1/2" PT	24v - 90w	Notes 2, 3, 4, 5
800576	5005556X	1/2" PT	1/2" PT	12v - 90w	Notes 2, 3, 4, 5



Bendix® AD-IP® Drop-In Air Dryer

Notes:

1. No upper or lower mounting bracket.
2. 12 & 24 volt air dryers are identified by connector color - White = 12v, Gray = 24v
3. Center to center of slots in both mounting brackets 5.64 inches
4. Includes 5001247 (mounting bracket kit)
5. Extended Purge



Universal Mounting Plate

Pc. No. 113209
(Can be used to mount any Bendix® air dryer to vehicle)



Exhaust Cover Kit 5011327



Wire Harness Assembly
(Use Kit 109871N)

Bendix® AD-IP® Drop-In Air Dryer

Service Pc. No.	Reman Pc. No.	Supply Port	Delivery Port	Heater & Thermo. Volts-Watt	Comments
800067	5000709X	1/2" PT	1/2" PT	12v - 90w	Notes 1, 2, 3

Notes:

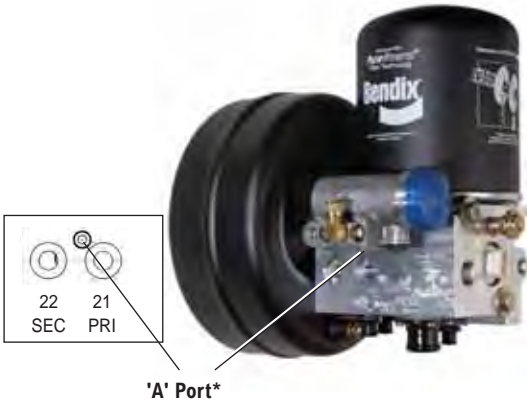
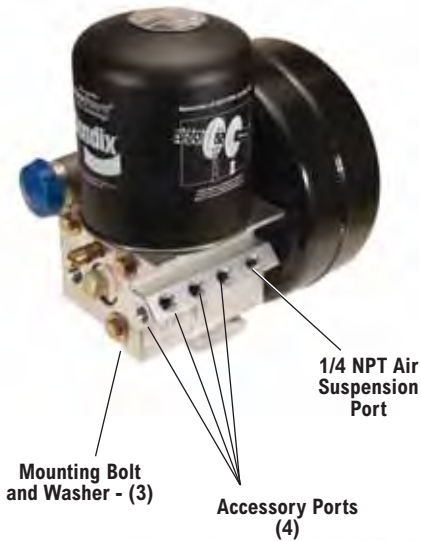
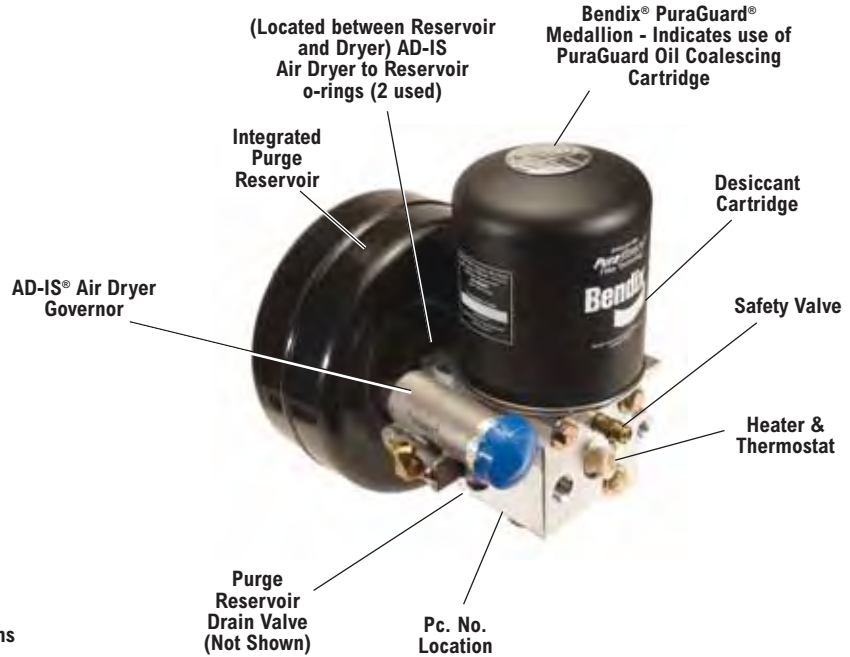
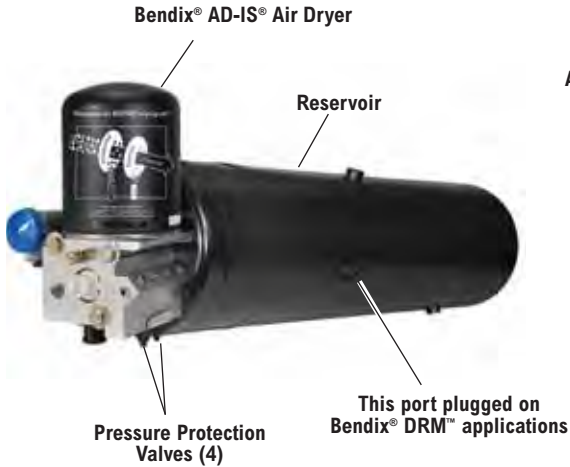
1. All replacement air dryers include 5001247 (mounting bracket kit).
2. 12 & 24 volt air dryers are identified by connector color - White = 12v, Gray = 24v
3. Includes Drop-In Check Valve Kit

IMPORTANT: If the Bendix® PuraGuard® oil coalescing cartridge is replaced, it must be replaced with a like unit.

Bendix® AD-IS® Air Dryer

- Spin on cartridge

V.M.R.S. 13-010-033



*Bendix AD-IS air dryers with a plugged port 'A' can not be interchanged with those that do not have a port in this location.

KITS AND SERVICE PARTS

Delivery Check Valve Replacement Kit	5004052
Desiccant Cartridge Replacement Kit	5008414
Integrated Bendix® PuraGuard® Coalescing Desiccant Cartridge Service New Kit	5008414PG
Drain Valve	5004961N
Governor and Check Valve Replacement Kit	5004049
Governor Gasket	5007834
Heater & Thermostat Replacement (12 volt)	109495
Heater & Thermostat Replacement (24 volt)	109496
Mounting Bolt Kit	5009233
Protective Boots (for pressure protection valves)	5005163
Safety Valve	800350
Splash Shield Kit (includes bracket and cover)	5006698
Splash Shield Cover	5005266N
Silencer Kit	K021189
Wiring Harness & Splice Kit	109871N

Specialty Kits

Adapter Block and Check Valve Kit	5011033
Delivery Check Valve Kit for Adapter Block	5011034
Exhaust Cover Kit for Purge Valve	5011327
Governor (KB low range) and Check Valve Kit	5010935

Notes:

1. For purge valve kits see the Bendix® AD-IS® and AD-IP® Air Dryer Purge Valve Maintenance Kits section of this catalog.
2. There are no kits available for the pressure protection valves. These are not serviceable items - see warning below.

IMPORTANT: If the Bendix® PuraGuard® oil coalescing cartridge is replaced, it must be replaced with a like unit.

WARNING:

Do not attempt to adjust or service the Pressure Protection valves. Incorrect pressure protection valve settings can result in automatic application of vehicle spring brakes without prior warning.



Pc. No. on AD-IS® Air Dryer (Ref.)	'A' Port*	Service Pc. No.	Reman Pc. No.	Primary Port	Primary Port Opening Pressure	Secondary Port	Secondary Port Opening Pressure	Accessory Ports Opening Pressure	Suspension Port Opening Pressure	Heater Voltage (90 Watt)	Comments
5005921 (Note 2)	—	800959	5008871X	1/2" PTC	103psi	1/2" PTC	109psi	55psi	85psi	12	GMT560-C (obsolete)
5008296 (Note 2)	Plugged	801145	5010104X	1/4" NPT	106psi	1/4" NPT	106psi	106psi	106psi	24	Orion Bus
5008925 (Note 2)	—	—	5008871X	1/2" PTC	103psi	1/2" PTC	109psi	55psi	85psi	12	GMT560-T (obsolete)
5010134	Plugged	801147	5010133X	1/4" NPT	106psi	1/4" NPT	106psi	106psi	106psi	12	Generic 12V
5010135	Plugged	801147	5010133X	1/4" NPT	106psi	1/4" NPT	106psi	106psi	106psi	12	Generic 12V
5010212	Plugged	801164	5010211X	1/4" NPT	106psi	1/4" NPT	106psi	106psi	106psi	24	Generic 24V
5010213	Plugged	801164	5010211X	1/4" NPT	106psi	1/4" NPT	106psi	106psi	106psi	24	Generic 24V
5010694 (Note 1)	Plugged	801266	5010696X	1/4" NPT	103psi	1/4" NPT	109psi	109psi	109psi	12	Peterbilt
5010900	Plugged	810301	5010924X	1/4" NPT	103psi	1/4" NPT	103psi	103psi	109psi	12	DLU Operation
5015533	Plugged	801266	5010696X	1/4" NPT	103psi	1/4" NPT	109psi	109psi	109psi	12	Kenworth
5015534	Plugged	801266	5010696X	1/4" NPT	103psi	1/4" NPT	109psi	109psi	109psi	12	Kenworth
5016364 (Note 2)	Plugged	802191	—	1/4" NPT	106psi	1/4" NPT	106psi	106psi	106psi	12	International
5016420 (Note 2)	—	802174	5008871X	1/2" PTC	103psi	1/2" PTC	109psi	55psi	85psi	12	GMT560-C (obsolete)
5016421 (Note 2)	—	802174	5008871X	1/2" PTC	103psi	1/2" PTC	109psi	55psi	85psi	12	GMT560-T (obsolete)

Notes:

1. Contains three Accessory ports - all other Bendix® AD-IS® air dryers shown have 4 Accessory ports.
2. Bendix AD-IS® air dryer has 1/4" NPT auxiliary inlet port.

Bendix® AD-IS® and AD-IP® Air Dryer Purge Valve Maintenance Kits

Original Kit Piece Number	Description	Configuration / Installation	Replacement Kit Piece Number
800404	Purge Valve Assembly Kit for climate conditions above -40°C (-40°F)	Bendix® AD-IS® / AD-IP® Air Dryer	K022105
		AD-IS/ AD-IP EverFlow® Air Dryer Modules AD-IP Drop-In Air Dryer	K031560
5017687	Arctic Purge Valve Assembly Kit for climate conditions between -40°C to -50°C (-40°F to -58°F)	AD-IS / AD-IP Air Dryer	K031559
		AD-IS / AD-IP EverFlow Air Dryer Modules AD-IP Drop-In Air Dryer	K031561
5009650	Purge Valve Assembly Kit for climate conditions above -40°C (-40°F)	Bendix® AD-IP® Air Dryer Discharge Line Unloader	K031562
5017682	Arctic Purge Valve Assembly Kit for climate conditions between -40°C to -50°C (-40°F to -58°F)	AD-IP Air Dryer Discharge Line Unloader	K031563
5003547	Purge Valve Maintenance Kit for climate conditions above -40°C (-40°F)	Purge valve maintenance kits will no longer be offered. Select the appropriate purge valve assembly kit from those shown above that best matches your application.	
5017683	Arctic Purge Valve Maintenance Kit for climate conditions between -40°C to -50°C (-40°F to -58°F)		

Bendix® DRM™ Dryer Reservoir Module with Bendix® AD-IS® Air Dryer

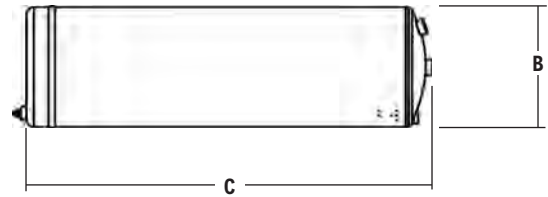
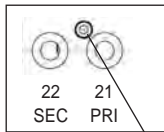


Figure 1

Bendix® AD-IS® Air Dryer used on Bendix® DRM™ Dryer Reservoir Module

AD-IS® Service New Pc. No.	AD-IS® Reman. Exch. Pc. No.	Pc. No. on AD-IS® Air Dryer (Reference)	'A' Port* Plug	Suspension Port	Accessory Ports (Qty.)	Heater Voltage (90 Watt)
800383	5004050X	5003424	without	1/4" NPT	1/4" NPT (4)	12
800838	5008332X	5007593	without	1/4" PTC	1/4" NPT (3) 3/8" PTC (1)	12
801100	5009483X	5009232	without	1/4" NPT	1/4" NPT (4)	12
801330	5011075X	5011074	without	none	none	12
801324	-	5011041	without	1/4" PTC	1/4" NPT (3) 3/8" PTC (1)	24

Bendix® PuraGuard® Medallion - Indicates use of PuraGuard Oil Coalescing Cartridge



'A' Port



Service and Remanufactured Bendix® AD-IS® air dryers do not include Bendix® DRM™ Reservoirs or Purge Volume Reservoirs.

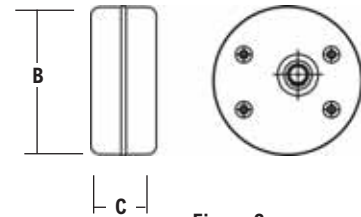


Figure 2

*Bendix® AD-IS® air dryers with a plugged port 'A' can not be interchanged with those that do not have a port in this location.

Reservoirs for Bendix® DRM™ Dryer Reservoir Module

Service New Pc. No.	'B' Dia.	'C' Length	Number of Compartments	Comments	Figure
5005313N	9"	53.5"	2	Steel	1
5009107N	9"	55.5"	2	Aluminum	1
5007588	9"	26"	3	Steel	1
5008939N	9"	29.8"	2	Steel	1
5009569N	12"	56.1"	3	Steel	1
5011548N**	9"	53.5"	3	Steel	1

**for use on vehicle with FreedomLine transmission & has an integral 610 in³ chamber

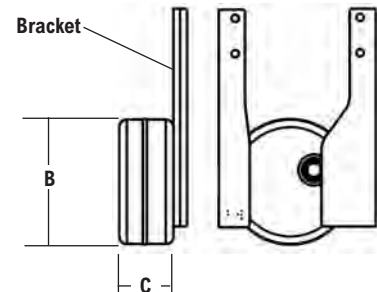


Figure 3

Purge Volume Reservoirs

Service New Pc. No.	'B' Dia.	'C' Length	Volume (Cubic Inches)	Mounting Bracket	Figure	Comments
5009028N	9"	6"	300	4 Hole SAE Mtg.	2	Extended Purge
5008574	9"	3.9"	200	4 Hole SAE Mtg.	2	Standard
5011292	9"	3.9"	200	Included	3	Standard

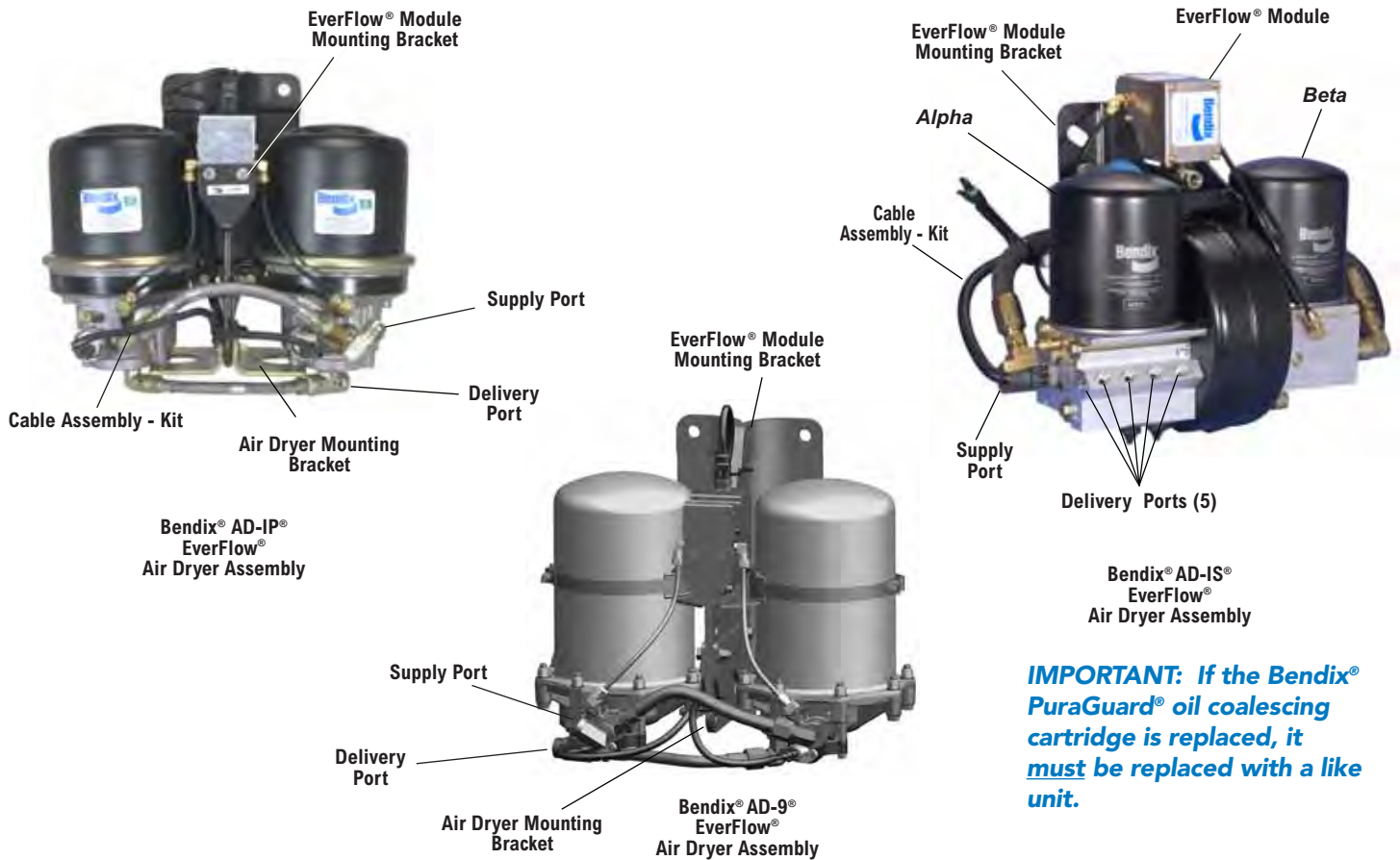
PTC = Push-to-Connect

IMPORTANT: If the Bendix® PuraGuard® oil coalescing cartridge is replaced, it must be replaced with a like unit.

Bendix® EverFlow® Module Assembly

Service New Pc. No.	Voltage	Air Dryer				Bendix® EverFlow® Module			Supply & Delivery Port Location
		Type	Service New Pc. No.	Reman. Exch. Pc. No.	Mounting Bracket	Module	Mounting Bracket	Cable Assembly Kit	
801032	12	AD-9®	065650	109689X	5009610	800685	5008483	5008484	Shown
800801	12	AD-IP®	065693	109503X	5001247	800685	5008483	5008484	Shown
801288	24		065613	109478X		800722			
802121	12	AD-IS®	802114 alpha	DNA	5017324	800685	Part of Dryer Bracket	5015949	Shown
802537			802115 beta						Opposite

For model specific service kits see the individual air dryer page.

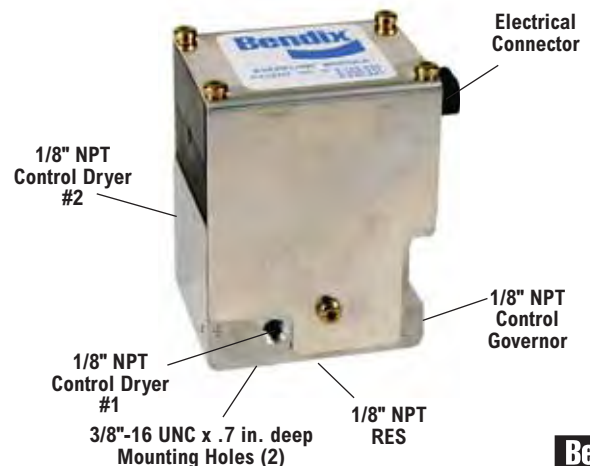


IMPORTANT: If the Bendix® PuraGuard® oil coalescing cartridge is replaced, it must be replaced with a like unit.

Bendix® EverFlow® Air Dryer Module

Retrofit Kit* Service New Pc. No.	Service New Pc. No.	Voltage
800684	800685	12 V
800723	800722	24 V

*Includes EverFlow® module & hardware – does not include air dryers.





IMPORTANT: If the Bendix® PuraGuard® oil coalescing cartridge is the OE Standard it must be replaced with a like unit.

Vehicle Make/ Platform/Model	Engine	Bendix® Air Dryer	Type	Bendix® PuraGuard® Oil Coalescing Cartridge		
				OE Standard	OE Spec Option	
FREIGHTLINER®						
FCCC:BUS	Cummins® ISB6.7, ISC8.3, ISL9	AD-9® Air Dryer	Service New	—	107796PG	
			Reman	—	107794PGX	
		AD-IP® Air Dryer	Service New	—	065624PG	—
			Reman	—	109493PGX	—
FCCC:RV	Cummins® ISB6.7, ISC8.3, ISL9	AD-IP® Air Dryer	Service New	—	065624PG	
			Reman	—	109493PGX	
Business Class® M2	Detroit™ DD13®, DD15®, DD16®	AD-IP® Air Dryer	Service New	065624PG	—	
			Reman	109493PGX	—	
		DRM™ Dryer Reservoir Module	Service New	5008414PG	—	—
			Service New	—	065624PG	—
	Cummins® ISB6.7, ISC8.3, ISL9	AD-IP® Air Dryer	Service New	—	065624PG	
			Reman	—	109493PGX	
DRM™ Dryer Reservoir Module	Service New	—	5008414PG	—		
	Cascadia®	Detroit™ DD13®, DD15®, DD16®	AD-9® Air Dryer	Service New	107796PG	—
Reman				107794PGX	—	
AD-IP® Air Dryer			Service New	065624PG	—	
			Reman	109493PGX	—	
Cummins® ISX15		AD-9® Air Dryer	Service New	—	107796PG	
			Reman	—	107794PGX	
AD-IP® Air Dryer	Service New	—	065624PG	—		
	Reman	—	109493PGX	—		
Coronado®	Detroit™ DD13®	AD-SP® Air Dryer	Service New	5008414PG	—	
			Service New	107796PG	—	
		AD-9® Air Dryer	Reman	107794PGX	—	
			Service New	5008414PG	—	
WESTERN STAR®						
Western Star	Detroit™ DD13®, DD15®, DD16®	AD-9® Air Dryer	Service New	107796PG	—	
			Reman	107794PGX	—	
		AD-IP® Air Dryer	Service New	065624PG	—	
			Reman	109493PGX	—	
		DD Tier 3	AD-9® Air Dryer	Service New	107796PG	—
				Reman	107794PGX	—
	AD-IP® Air Dryer		Service New	065624PG	—	
			Reman	109493PGX	—	
	Cummins® ISC, ISL, ISX15	AD-9® Air Dryer	Service New	—	107796PG	
			Reman	—	107794PGX	
		AD-IP® Air Dryer	Service New	—	065624PG	—
			Reman	—	109493PGX	—



Bendix® PuraGuard® Oil Coalescing Cartridge Air Dryers 08

IMPORTANT: If the Bendix® PuraGuard® oil coalescing cartridge is the OE Standard it must be replaced with a like unit.

Vehicle Make/ Platform/Model	Engine	Bendix® Air Dryer	Type	Bendix® PuraGuard® Oil Coalescing Cartridge		
				OE Standard	OE Spec Option	
MACK®						
Refuse Mack® TerraPro™	Mack® MP8	AD-RP™ Air Dryer	Service New	5008414PG	—	
CONSTRUCTION Mack® Granite® Series	Mack® MP7, MP8	AD-9® Air Dryer	Service New	107796PG	—	
			Reman	107794PGX	—	
		AD-IP® Air Dryer	Service New	065624PG	—	
			Reman	109493PGX	—	
HIGHWAY Mack® Pinnacle™ Series	Mack® MP7, MP8	AD-RP™ Air Dryer	Service New	5008414PG	—	
			Service New	107796PG	—	
		AD-9® Air Dryer	Reman	107794PGX	—	
			Service New	065624PG	—	
HEAVY HAUL Titan by Mack®	Mack® MP10	AD-RP™ Air Dryer	Service New	5008414PG	—	
			Service New	107796PG	—	
		AD-9® Air Dryer	Reman	107794PGX	—	
			Service New	065624PG	—	
VOLVO®				5008414PG	—	
				Service New	107796PG	—
				Reman	107794PGX	—
				Service New	065624PG	—
Volvo VHD, VHD 430	Volvo D11, D13	AD-RP™ Air Dryer	Service New	5008414PG	—	
			Service New	107796PG	—	
		AD-9® Air Dryer	Reman	107794PGX	—	
			Service New	065624PG	—	
Volvo VN 780, VN 730, VN 670, VN 630	Volvo D11, D13, D16	AD-RP™ Air Dryer	Service New	5008414PG	—	
			Service New	107796PG	—	
		AD-9® Air Dryer	Reman	107794PGX	—	
			Service New	065624PG	—	
Volvo VNL 430, VNM / VNL Daycab	Cummins® ISX15	AD-9® Air Dryer	Service New	107796PG	—	
			Reman	107794PGX	—	
		AD-IP® Air Dryer	Service New	065624PG	—	
			Reman	109493PGX	—	
KENWORTH®						
T680, T660, W900, T800, C500		AD-IS® EverFlow® Air Dryer	Service New	—	5008414PG	
T470, T440, T370, T270, T170, K370		AD-SP® Air Dryer	Service New	—	5008414PG	
		AD-IS® Air Dryer	Service New	—	5008414PG	
T700		AD-IS® EverFlow® Air Dryer	Service New	—	5008414PG	
		AD-IS® Air Dryer	Service New	—	5008414PG	



IMPORTANT: If the Bendix® PuraGuard® oil coalescing cartridge is the OE Standard it must be replaced with a like unit.

Vehicle Make/ Platform/Model	Engine	Bendix® Air Dryer	Type	Bendix® PuraGuard® Oil Coalescing Cartridge	
				OE Standard	OE Spec Option
PETERBILT®					
Models 348, 365, 367, 382, 384, 386, 389, 579, 587		AD-IS® EverFlow® Air Dryer	Service New	—	5008414PG
		AD-IP® Air Dryer	Service New	—	065624PG
			Reman	—	109493PGX
AD-IS® Air Dryer		Service New	—	5008414PG	
		AD-IP® Air Dryer	Service New	—	065624PG
Models 210, 220, 320, 325, 330, 337		AD-IP® Air Dryer	Service New	—	065624PG
			Reman	—	109493PGX
AD-IS® Air Dryer		Service New	—	5008414PG	
INTERNATIONAL®					
International® DuraStar® 4000	MaxxForce® 7/8/9/10/DT	AD-9® Air Dryer	Service New	—	107796PG
			Reman	—	107794PGX
		AD-IP® Air Dryer	Service New	—	065624PG
			Reman	—	109493PGX
International® PayStar® 5000	MaxxForce® 11/13/15	AD-9® Air Dryer	Service New	—	107796PG
			Reman	—	107794PGX
		AD-IP® Air Dryer	Service New	—	065624PG
			Reman	—	109493PGX
International® WorkStar® 7000	MaxxForce® 9/10/11/13/DT	AD-IS® EverFlow® Air Dryer	Service New	—	5008414PG
		AD-9® Air Dryer	Service New	—	107796PG
			Reman	—	107794PGX
		AD-IP® Air Dryer	Service New	—	065624PG
Reman	—		109493PGX		
International® TranStar® 8000	MaxxForce® 11/13	AD-9® Air Dryer	Service New	—	107796PG
			Reman	—	107794PGX
		AD-IP® Air Dryer	Service New	—	065624PG
			Reman	—	109493PGX
International® 9900 Series International® LoneStar® International® ProStar®	MaxxForce® 11/13/15	AD-IS® Air Dryer	Service New	—	5008414PG
		AD-IS® EverFlow® Air Dryer	Service New	—	5008414PG
IC BUS™ - CE (Conventional) IC BUS™ - FE (Front Engine) IC BUS™ - RE (Rear Engine)	MaxxForce® 7/8/9/10/DT	AD-9® Air Dryer	Service New	—	107796PG
			Reman	—	107794PGX
		AD-IP® Air Dryer	Service New	—	065624PG
			Reman	—	109493PGX
BD CHASSIS - HC (Blue Diamond)	MaxxForce® 7/8/9/10/DT Cummins® ISB 6.71	AD-9® Air Dryer	Service New	—	107796PG
			Reman	—	107794PGX
		AD-IP® Air Dryer	Service New	—	065624PG
			Reman	—	109493PGX

Bendix® PuraGuard® Oil Coalescing Cartridge piece numbers

Bendix® Air Dryer	PuraGuard® Service New	PuraGuard® Reman
AD-IS®, AD-SP®, AD-RP™	5008414PG	—
AD-IP®	065624PG	109493PGX
AD-9®	107796PG	107794PGX

Bendix® PuraGuard® oil coalescing air dryer identification

Current production air dryers with the Bendix® PuraGuard® oil coalescing filter have one, or more, of these identifiers.
(Early production may not include either of these and only be identified by part number.)



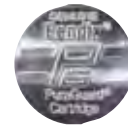
Bendix® AD-IS®, AD-SP® or AD-RP™ Air Dryer Cartridge



Bendix® AD-IP® Air Dryer Cartridge



Bendix® AD-9® Air Dryer Cartridge



Medallion - located on the top of the air dryer

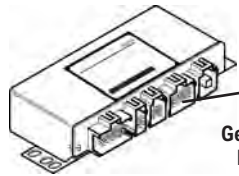


Label or imprint - located on the side of the air dryer cartridge



Bendix® EC-30™ Electronic Controller

EC-30™
ECU



Gen 4/5
ECU

Connectors are black

Service New Pc. No.	Sensors/ Modulators	Traction Control	Engine Communication	J1939 Dash Support	Customers Include (Comments)
801167	4S/4M	Yes	J1939	Yes	International
801173	6S/4M	Yes		-	International
801177	4S/4M	Yes		Yes	International
801180	6S/4M	Yes		-	Freightliner / Mack
801199	6S/4M	Yes		Yes	GMC
801202	6S/4M	Yes		Yes	GMC
801227	6S/4M	Yes		-	Volvo
801228	6S/4M	Yes		-	-
801239	6S/4M	Yes		-	Mack
801233	6S/4M	Yes	J1939, J1922	-	Volvo (EC-16™ / EC-17™ ECU Service Replacement)
801234	6S/4M	Yes		-	GMC (86 Tooth Tone Ring - EC-17™ ECU Service Replacement)
801235	6S/4M	Yes		-	GMC (100 Tooth Tone Ring - EC-17™ ECU Service Replacement)
801236	6S/4M	Yes		-	(EC-16™ / EC-17™ ECU Service Replacement)
801238	4S/4M	-	J1939	-	-
801335	6S/4M	Yes		-	-
801205	4S/4M	-		-	GMC (100 Tooth Tone Ring)
801206	4S/4M	-		-	GMC (86 Tooth Tone Ring)

Gen 4/5 Electronic Control Unit (ECU)

OE Pc. No.	Service New Pc. No.	Sensors/ Modulators	Traction Control	Engine Communication	Mounting	Comments			
300130	801764	6S/6M	Yes	J1939	Frame	24 Volt			
300199	801765	4S/4M	Yes	J1922		-			
300208	801759	4S/4M	Yes	J1939		-			
300345, 300367	801755	6S/6M	Yes			J1939	Configured as 6S/4M ABS ¹		
300368, 5012926	801758						-		
5012608	801762	4S/4M	-	-					
300222	300222N	4S/4M	-	No	Cab	-			
300342	801752			J1939		Yes	J1939	Configured as 6S/4M ABS ¹	
300344, 5006806	801753	Yes	Yes					J1939	Use for a 6 x 2 vehicle with a tag axle
5012582	801754								6S/6M

¹ ECU reconfiguration required for 6S/6M and/or Traction Control. The following tools can be used for reconfiguration: Bendix® ACom® Diagnostic Software (free download available from www.bendix.com), or Nexiq™ Pro-Link iQ™ application card (Nexiq p/n 804001).

NOTE: Gen 4/5 ECUs were formerly marketed under the Eator® brand name

Bendix® EC-60™ Advanced Cab ECU

All shown have traction control and communicate over J1587 and J1939



**Bendix® EC-60™
Advanced**

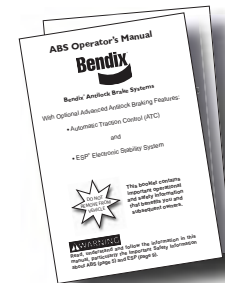
IMPORTANT

The vehicle VIN number must be specified when ordering Bendix® EC-60™ Advanced ECUs, since the ECU is individually configured for the vehicle.

Customer	OE Pc. No.	Service New Pc. No.	Stability Configuration	Sensors/ Modulators	Supply Voltage	PLC
Volvo®, Mack®	802780	K031692*	Electronic Stability Program (ESP)	4S/4M	12	Yes
	5018531					
	K022161					
	K040157					
-	801905	K039393				
	803082					
	5012231					
	5019416					
	K023054					
	K038368					
International®	803146	K039393				
	5016144					
	5020080					
	K033963					
	K033964					
	K034014					
PACCAR®	K021136	K039393				
	K021415					
	K021416					
	K024560					
	K025766					
	K025780					
International	K041759	K041711	Roll Stability Program (RSP)			
	802054					
	803147					
	5015578					
	5020081					
	K033968					
	K033969					
	K034015					
K040121						

*Aftermarket part number K031692 for Volvo & Mack ESP configured vehicles is only available through a Volvo or Mack dealer.

Note: It is recommended that the part number being replaced is verified and cross-referenced to the aftermarket replacement number from the part itself or read back through the OEM's service tool or Bendix® ACom® diagnostics.



**Bendix® Antilock Brake Systems Operator's Manual
BW2489 (ESP)
and BW2499 (RSP)
Available on www.bendix.com**



**Bendix® ACom® Diagnostic Software
BW2329 (visit www.bendix.com)**

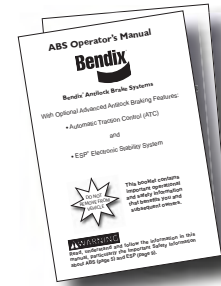
Bendix® EC-60™ Standard Cab ECU

All shown communicate over J1587 and J1939

Customer	OE Pc. No.	Service New Pc. No.	Sensors/ Modulators	Supply Voltage	PLC	Notes			
-	801876	K039381	4S/4M	12	Yes				
	801877								
	5012226								
	K038358								
	K038360								
PACCAR®	K021134	K041718				4S/4M	12	Yes	PLC operation for International
	K021414								
	K041767								
International®	802130	K041720				4S/4M	12	Yes	Configured for J1939 control of ABS warning lamp
	5016139								
	K040114								
	802136								
	5016145								
	K020367								
	K020833								
	K040116								
	802325								
	5016357								
K020368									
K020834									
K040115									



Bendix® EC-60™ ECU Standard (Cab)



Bendix® Antilock Brake Systems Operator's Manual BW2489 (ESP) and BW2499 (RSP) Available on www.bendix.com

Bendix® EC-60™ Standard Frame ECU

All shown communicate over J1587 and J1939

Customer	OE Pc. No.	Service New Pc. No.	Sensors/ Modulators	Supply Voltage	PLC	Notes		
-	801879	K039532	4S/4M	12	Yes			
	5012228							
	5020281							
	K020841							
	K038362							
	K038363							
	802131							
	5016140							
K040077								
International	802132	K041714			4S/4M	12	Yes	PLC operation for International
	5016141							
	K020369							
	K020832							
K040078								
GM	5015991	802831					4S/4M	12
	5018131	802833						



Bendix® ACom® Diagnostic Software BW2329 (visit www.bendix.com)



Bendix® EC-60™ ECU Standard (Frame)

Note: It is recommended that the part number being replaced is verified and cross-referenced to the aftermarket replacement number from the part itself or read back through the OEM's service tool or Bendix® ACom® diagnostics.

Bendix® EC-60™ Premium Cab ECU

All shown are traction control capable and communicate over J1587 and J1939.

Customer	OE Pc. No.	Service New Pc. No.	Sensors/ Modulators	Supply Voltage	PLC	Notes
-	801880	K039698	4S/4M	12	Yes	
	803167					
	5012229					
	5013147					
	5013148					
	5020000					
PACCAR®	K021135	K048751	4S/4M	12	Yes	Configured to receive J1939 signals for ABS and ATC switches from PACCAR vehicles
	K021412					
	K041761					
	K041775					
International®	802133	K041721	4S/4M	12	Yes	Configured for J1939 control of ABS warning lamp
	803168					
	5016142					
	5020001					
	K040117					
	802324	K041722				PLC operation for International
	5016356					
	K022285					
K022568						
Volvo®, Mack®	802781	K034569	4S/4M	12	Yes	J1939 and J1587 messages configured per Volvo/Mack requirements
	5018530					
	5018581					
	K019671					
	K034397					
Generic	801882	K039712	4S/4M	24	No	
	5012251					
	K038365					

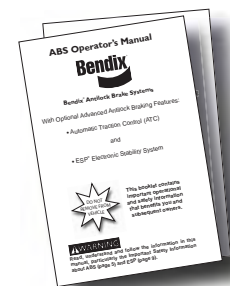


Bendix® EC-60™ Premium (Cab)

Notes:

- It is recommended that the part number being replaced is verified and cross-referenced to the aftermarket replacement number from the part itself or read back through the OEM's service tool or Bendix® ACom® diagnostics.

- Premium ECUs may be modified by the OEMs during installation. The part may require re-configuration using the OEM's service tool or Bendix® ACom® diagnostics.



Bendix® Antilock Brake Systems Operator's Manual BW2489 (ESP) and BW2499 (RSP) Available on www.bendix.com

Bendix® EC-60™ Premium Frame ECU

All shown have traction control and communicate over J1587 and J1939.

Customer	OE Pc. No.	Service New Pc. No.	Sensors/ Modulators	Supply Voltage	PLC	Notes
-	801881	K039622	4S/4M	12	Yes	
	5012230					
	5013149					
	5013150					
	5020008					
	K019237					
	K038366					
International	802134	K041715	4S/4M	12	Yes	PLC operation for International
	5016143					
	K020822					
	K020823					
Oshkosh®	K040079	K039623	6S/4M	24	No	
	K038367					



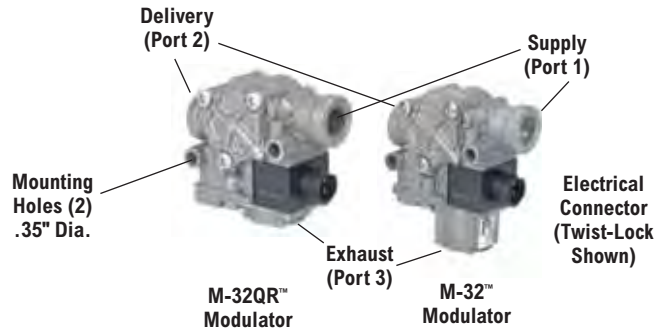
Bendix® ACom® Diagnostic Software BW2329 (visit www.bendix.com)



Bendix® EC-60™ Premium (Frame)

Bendix® M-32™ and M-32QR™ AntiLock Modulators

V.M.R.S. 13-011-071



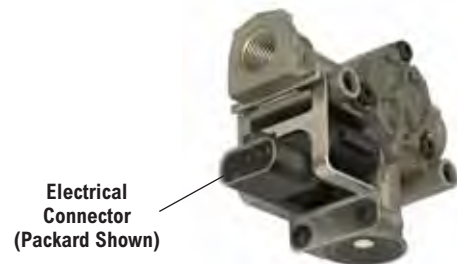
OE Pc. No.	Service New Pc. No.	Description	Exhaust Adapter	Supply Port	Delivery Port	Electrical Connector Type	Supply Voltage	Customers Include
300387	801665	M-32™ Modulator	-	1/2" NPT	1/2" NPT	Twist-Lock	12	Volvo®, Mack®, Peterbilt®, Kenworth®
5014706	801585		-	1/2" NPT	1/2" NPT	Packard		International®
5016334	801456		-	5/8" PTC	1/2" STC			GM®
5013223	801736		Straight snorkel	1/2" NPT	1/2" NPT	Metric thread	24	Oshkosh®
5013224	801737		90° snorkel					Twist-Lock
5015514	802697	-	-	-	-	-	-	
5012961	801583	M-32QR™ Modulator	-	1/2" NPT	1/2" PTC	Packard	12	GM
5016344	801457		-	1/2" NPT	1/2" STC			International
5014705	801481		-	1/2" NPT	1/2" NPT			
5014704	801479		-	1/2" PTC	1/2" PTC	Twist-Lock	Bluebird®	
5011281	801482		-	1/2" NPT	1/2" NPT		-	
5019258	802888		-		1/2" PTC		-	

PTC = Push-To-Connect NPT = Pipe Thread STC = Snap-to-Connect

Bendix® M-30™ to M-32™ and M-32QR™ AntiLock Modulator Changeover

- M-30™ antilock modulators are no longer available. M-32™ and M-32QR™ modulators are available for service.
- When replacing the M-30 modulators on the steer axle, replace both with, M-32 modulators.

M-30™ Pc. No.	M-32™ Service New Pc. No.	M-30™ Pc. No.	M-32™ Service New Pc. No.
5005894	801481	5009304	801481
5005895	801479	5009305	801583
5006659	801481	5009306	801583
5008951	801481	5009308	801457
5009085	801456	5009309	801457
5009086	801456		



Bendix® M-30™ Modulator (Superseded by the M-32™ and M-32QR™ modulators)

Axle Modules

Axle Module service assemblies are not available as a complete assembly. Service with individual components as needed.

OE Axle Module Pc. No.	Figure No.	Service Replacement Valve (Relay, Quick Release or Traction Relay)		Bendix® M-32™ Modulator Service Replacement Pc. No. (Typically 2 are required)
		Pc. No.	Description	
5015283	1	801629	Bendix® R-14® Relay Valve (4.0 psi)	801665
5017276				
5011782		803115	Bendix® R-12® Relay Valve (5.5 psi)	
5017071				
5011740		K070951	Bendix® ATR-3™ Traction Relay Valve (5.5 psi)	
5020024				
K034765		803115	R-12® Relay Valve (5.5 psi)	
K034767				
K034768		K070951	Bendix® ATR-6™ Traction Relay Valve (5.5 psi)	
K034778		K078219	ATR-6™ Traction Relay Valve (4.0 psi)	
5020567	K070953	ATR-6™ Traction Relay Valve (5.5 psi)		
5015631	Not shown	n/a	n/a	802888
5019619	2	229859N	QR-1® Quick Release Valve	802697

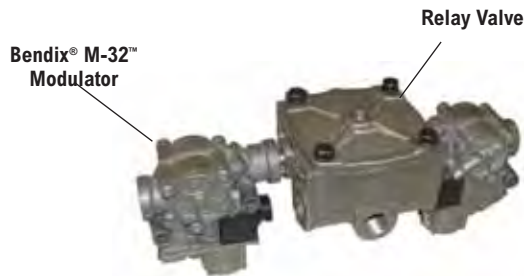


Figure 1
Axle Module
R-12° Relay Valve Version Shown
(R-14°, ATR-3™ and ATR-6™ are similar)

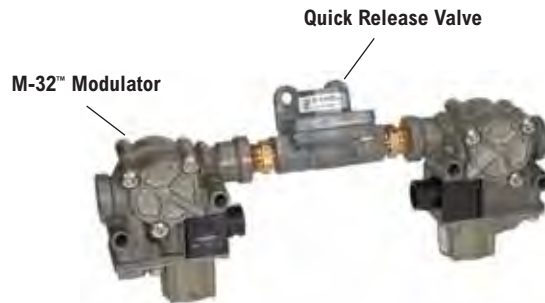
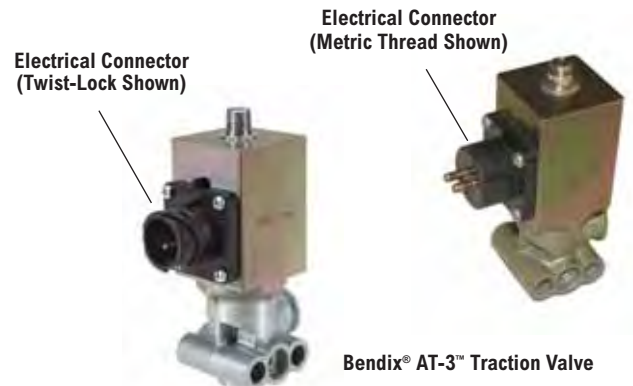


Figure 2
Axle Module
Quick Release Valve Version

Bendix® AT-3™ Traction Valves

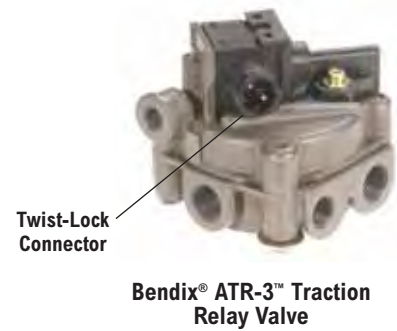
OE Pc. No.	Service Replacement Valve		Supply Voltage	Customers
	Pc. No.	Electrical Connector		
300128	801936	Metric Thread	24	Oshkosh®
300354	801931	Twist-Lock	12	Mack®, Volvo®, Kenworth®, Peterbilt®
K025064				Navistar®
K036918	K037085		24	—



Bendix® AT-3™ Traction Valve

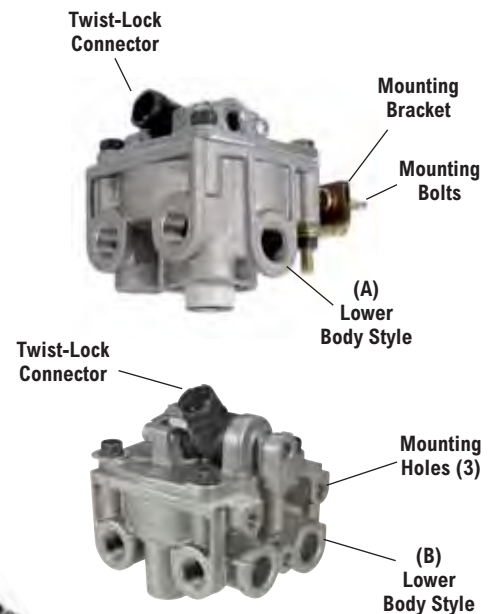
Bendix® ATR-3™ Traction Relay Valve

ATR-3™ OE Pc. No.	ATR-3™ Service New Pc. No.	ATR-6™ Service New Pc. No.	Crack Pressure PSI	Supply Voltage	Customers
5014494	801932	-	4.0	12V	
5014497	-	K070974			Volvo®
5018362	-	K070974			Volvo
300317	-	K070951	5.5	12V	
5014495	-	K070954			
5015755	-	K070954			Kenworth®
K002569	K019736	-	4.0	24V	



Bendix® ATR-6™ Traction Relay Valve

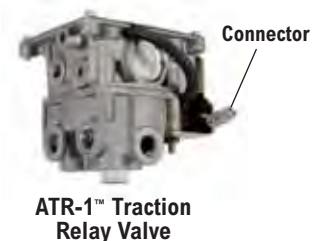
OE Pc. No.	Service New Pc. No.	Crack Pressure PSI	Exhaust Port	Lower Body Style	Mounting Bracket Included	Supply Voltage	Customers
5020201	K070952	4.0	-	B	No	12V	Volvo
5019764	K072293		-		Yes		Navistar®
K040733	K070965		1/2-14 NPT				
K041063	K070964		Silencer				
K025600	K070962	-	A				
K035538							
5020205	K070951	5.5	-	B	No	Kenworth	
K033317	K070954	5.5	-	B	Yes		
K033319							



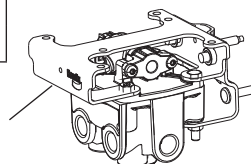
Bendix® ATR-1™ to ATR-6™ Traction Relay Valve Changeover

• ATR-1™ traction relay valves are no longer available. The ATR-6™ traction relay valves and retrofit kits are available for service.

ATR-1™ Valve Pc. No.	ATR-6™ Valve Service New Pc. No.*	Crack Pressure PSI	Mounting Bracket	ATR-1™ Valve Connector Type	Harness Service Pc. No.	Supply Voltage
065516	K072345	4.0	See Bracket A	DT04-2P	K032114	12V
800030	K072339		5/16" x 1.35"			
5003921			5/16" x 1.35"	DTM06-2S-E007	K032115	
800818	K072311		5/16" x 1.35"			
5008259			5/16" x 1.35"			
801127	K072318		M8 x .95"			
5009773		M8 x .95"				



A Mounting Bracket



*All the ATR-6™ traction relay valves have a twist lock connector type; the replacement part numbers include a harness adapter.

Bendix® MC-30™ Trailer ABS Modules

- The MC-30™ Trailer ABS Modules are available for service.
- All service assemblies contain J1587.

OE Pc. No.	Service New Pc. No.	Description	Mounting	Default Configuration	Auto-Configurable To:	PLC
5007642	800736	Bendix® MC-30™ Trailer ABS Module	Tank	4S/2M - Side	2S/2M - Axle; 2S/1M	No
5007644	800737		Tank		2S/2M - Axle; 2S/1M	Yes
5008502	800736		Tank		2S/2M - Axle; 2S/1M	No
5008264	800819		Bracket		2S/2M - Axle; 2S/1M	No
5009157	801033		Bracket		2S/2M - Axle; 2S/1M	Yes
5010565	801267	Bendix® EC-30™ Trailer ABS ECU	-		2S/2M - Axle; 2S/1M	No
5010566	801268		-		2S/2M - Axle; 2S/1M	Yes



Bendix® MC-30™ Trailer ABS

Bendix® A-18™ Trailer ABS Modules

- The A-18™ Trailer ABS Modules are no longer available. Bendix® TABS-6™ kits are available for service.

A-18™ Pc. No. (Reference Only)	Description	Bendix® TABS-6™ Replacement Kits							
		With Short - 60" Pigtail			With Long - 234" Pigtail				
		2S/1M	2S/2M - Side	4S/2M - Side	2S/1M	2S/2M - Side	4S/2M - Side		
300340	Trailer ABS ECU		-	-		-	-		
300341			K019709	K019710		K019712	K019713		
300266	Trailer ABS Module	K019708		-	K019711		-		
300267				-			-		
300268				-			-		
300269				-			-		
300358				-			-		
300359				-			-		
300360				-			-		
300213									
300362				K019709		K019710		K019712	K019713
300364									



Bendix® A-18™ Trailer ABS



Bendix® TABS-6™ Trailer ABS

Bendix® MC-12™ Trailer ABS Modules

- The MC-12™ Trailer ABS Modules are no longer available. Bendix TABS-6 kits are available for service.
- The MC-12 was only available in 2S/1M configurations.

Description	Bendix TABS-6 Replacement Kits				
	With 60" 5-pin ABS Pigtail	With 234" 5-pin ABS Pigtail	With 18" 4-pin ABS Pigtail	With 96" 4-pin ABS Pigtail	With 180" 3-pin ABS Pigtail
MC-12 ABS Assembly for Trailers	802893	802902	802900	802898	802896
MCE-12 ABS Assembly for Dollies	802894	802901	802899	802897	802895



Bendix® MC-12™ Trailer ABS

Bendix® TABS-6™ Trailer ABS Module

- All TABS-6™ Trailer ABS Modules communicate over PLC and have a 4 port relay



Bendix® TABS-6™ Trailer ABS

OE Pc. No.	Service New Pc. No.	Description	Default Configuration	Auto-Configurable To:	J1587 Direct Wires Available	PLC
5014015	801855	TABS-6™ Standard	2S/1M	None	No	Yes
5014016	801856	TABS-6 Premium	2S/1M - Dolly	2S/2M - Side; 4S/2M - Side; 4S/3M - Side/Axle	Yes	
5014112	801990	TABS-6 Standard	2S/1M - Dolly	None	No	
5014113	801991	TABS-6 Premium	2S/1M	2S/2M - Axle; 4S/2M - Axle	Yes	

Bendix® TABS-6™ Advanced Trailer ABS with Stability Control Module

- User is required to verify proper configuration with Bendix and perform installation test using ACom® diagnostic software
- All TABS-6™ Advanced modules are 2S/1M; have a 4 port relay and may be nipple mounted to a reservoir



Bendix® TABS-6™ Advanced Trailer ABS

OE Pc. No.	Service New Pc. No.	Description	Default Configuration				PLC	CAN Available	
			Axle Spacing (inches)	Mounting Orientation (degrees)	Offset (inches) - side	Air Suspension Empty			Air Suspension Loaded
K029053	K029141	TABS-6™ Advanced	49"	270°	10" curb	13 psi @ 8k	82 psi @ 34k	Yes	Yes
K041383	K041385	TABS-6 Advanced	49"	90°	0"	14 psi @ 9k	83 psi @ 34k		
K027233	K028577	TABS-6 Advanced	49"	270°	10" curb	11 psi @ 8k	69 psi @ 34k		

Bendix® TABS-6™ Advanced Multi-Channel Trailer ABS with Stability Control Module

- User is required to verify proper configuration with Bendix and perform installation test using ACom® diagnostic software
- All TABS-6™ Advanced Multi-Channel modules have 6 delivery ports and must be frame mounted



Bendix® TABS-6™ Advanced Multi-Channel Trailer ABS

OE Pc. No.	Service New Pc. No.	Description	Configuration	Default Configuration					PLC	CAN Available
				Axle Spacing (inches)	Mounting Orientation (degrees)	Offset - side (inches)	Air Suspension Empty	Air Suspension Loaded		
K026500	K028522	TABS-6™ Advanced MC	4S/2M - Side	49"	0°	0"	9 psi @ 7k	70 psi @ 34k	Yes	Yes
K028920	K028974	TABS-6 Advanced MC	4S/2M - Side	121"	0°	0"	9 psi @ 7k	82 psi @ 40k		



Bendix® ACom® Diagnostic Software BW2329 (visit www.bendix.com)

Bendix® BR9235™ ABS Modulator/Relay Valve

OE Pc. No.	Service New Pc. No.	Description	Supply	Delivery
5012023	801993	Modulator Relay Valve	3/4" NPT	4 x 3/8" NPT
5012024	801994	Modulator Relay Valve with Bracket	3/4" NPT	4 x 3/8" NPT

**Bendix® BR9235™
ABS Modulator/
Relay Valve**

Bendix® TABS-6™ Harnesses and Cables

OE Pc. No.	Service New Pc. No.	Description	Length
300258	802025	Bendix® WS-24™ Wheel Speed Sensor Extension	80"
5015531	802052		60"
5019464	802946		260"
5015014	801996	ECU Pigtail - Standard 2S/1M	Power - 60"
5015016	801998		Power - 234"
5015018	802000	ECU Pigtail - Advanced or Premium 2S/1M	Power - 9", Diagnostic - 9"
K022146	K025647	ECU Pigtail - Advanced MC 4S/2M or 2S/2M	Power - 9"
K025593	K025621	Advanced MC - CAN diagnostic	Diagnostic - 9"
5015019	802001	ECU Pigtail - Premium 2S/1M	Power - 60", Diagnostic - 9"
5015021	802003		Power - 234", Diagnostic - 9"
5015023	802005	ECU Pigtail - Premium 2S/2M	Power - 60", Modulator - 36", Diagnostic - 9"
5015025	802007		Power - 234", Modulator - 36", Diagnostic - 9"
5015027	802009	ECU Pigtail - Premium 4S/2M	Power - 60", Modulator - 36", Sensors - 60", Diagnostic - 9"
5015029	802011		Power - 234", Modulator - 36", Sensors - 60", Diagnostic - 9"
5013352	802016	Trailer Power Harness	120" 5-pin Packard, Non-Terminated Warning Lamp - 10"
5013353	802017		780" 5-pin Packard, Non-Terminated Warning Lamp - 10"
5013343	802018	BR9235™ Remote Modulator Harness	36"
5019463	802947		280"
5007833	800790	J1587 / J1708 Remote Diagnostic Harness	120"
5009193			

Bendix® TABS-6™ Service Replacement Components

Service New Pc. No.	Description
802028	TABS-6™ Standard / Premium / Advanced connector cover
K048189	TABS-6™ Advanced MC connector cover
K016644	TABS-6™ Standard connector lever
801924	TABS-6™ Standard / Premium / Advanced control line filter
K040542	TABS-6™ Advanced MC-12 pin connector plug
K048190	TABS-6™ Advanced MC silencer

WS-24™ Wheel Speed Sensors



0° (Straight)
Bendix® WS-24™ Wheel Speed Sensors

90°
Bendix® WS-24™ Wheel Speed Sensors



Clamping Sleeve
Pc. No. 801534
Included with all service new Bendix® WS-24™ Sensors

New universal clamping sleeves have a Dynamark symbol stamped as shown.

NOTE: Early Bendix® WS-20™ clamping sleeves have "BW" in a diamond symbol stamped and cannot be used for WS-24™ sensors.

OE Pc. No.	Service New Pc. No.	Body Style	Harness Length	Connector Type	Customers Include	
300083	801544	90°	12"	DIN	Trailer OEMs.	
K028296	K029519	Straight				
300084	801538	90°	75"		Peterbilt®, Kenworth®	
300087	801542	Straight	78"		Kenworth, Mack®	
300150	801541	90°	63"		Volvo®, Blue Bird®	
300151	801543	Straight	66"		Peterbilt, Kenworth, Volvo	
K034750	K034753	90°	90"		Utility®	
5012266	801549	90°	60"		DT04	International®
5012267	801550	90°	75"			
5012268	801551	90°	40"			
5012269	801552	Straight	75"			
5012270	801553	Straight	40"			

Connectors Available



Delphi® Metripack Series Connector CP 150.2



Delphi Metripack Series Connector GT 150



A P (280M)



B P (280F)

Delphi Metripack 280 Series Connectors



Deutsch DTM06-2S Connector
NOTE: Deutsch model number "DTM06-2S" molded into connector body



Deutsch DT04-2P Connector
NOTE: Deutsch model number "DT04-2P" molded into connector body

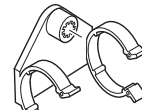


Standard 2-Pin DIN Barrel Connector

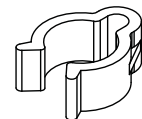
Bendix® WS-20™ Wheel Speed Sensor Replacements

• Bendix® WS-20™ wheel speed sensors are no longer available

WS-20™ Pc. No.	WS-24™ Service New Pc. No.	Body Style	Harness Length	Connector Type
065517	801566	90°	75"	Packard (150.2)
065518	801566			
550657	801566			
5000889	801546		60"	Deutsch DTM
5005707	801546			
5006663	801567	Straight	63"	Packard (150.2)
5006664	801567			



Retainer for a 2-Pin DIN Connector
Pc. No. 300122N



Hose Clip
Pc. No. K044394
(10 pieces)



Previous Bendix Wheel Speed Sensors
The Bendix® WS-24 sensor fit and function is compatible with all previous Bendix wheel speed sensors (when used with correct clamping sleeve - see above).

Bendix® ESP® Sensors



**Bendix® SAS-60™
Steering Angle Sensor**

OE Pc. No.	Service New Pc. No.	Connector Type	Hub Color (Denotes Size)	Stability System Compatibility	Customers Include
Steer Angle Sensor					
5013702	K022678	90°	Tan	Bendix	Navistar®, Kenworth®, Peterbilt®, Volvo®, Mack®
5018284	K022680	90°	Tan	Other	Freightliner®
5015743	802144	Straight	Black	Other	Freightliner
5018418	K022679	Straight	Tan	Bendix	Navistar, Kenworth, Peterbilt, Volvo, Mack

OE Pc. No.	Service New Pc. No.	Model	Mounting Orientation Guides	Customers Include
Yaw/Lateral Acceleration Sensor*				
5013703	802126	YAS-60™	-	Navistar, Kenworth, Peterbilt, Volvo, Mack, Prevost®
K0205682E4	K058836	YAS-70X™	-	Volvo, Mack
K0205682E4P	K048055		Included	Navistar, Kenworth, Peterbilt, Prevost
Pressure Sensor				
5005758	5008677	PS-60™	-	Navistar, Kenworth, Peterbilt

*Yaw/Lateral acceleration sensor models and part numbers are not interchangeable.



**PS-60™
Bendix® Pressure
Sensor**



**Bendix® YAS-70X™
Yaw/Lateral Acceleration
Sensor Package**



**Bendix® YAS-60™
Yaw/Lateral Acceleration
Sensor Package**

Bendix® Wingman® ACB & Wingman® Advanced™ Active Cruise w/ Braking

FLR10™ Pc. No.	Reman. Pc. No. Radar Only	Bracket Kit	Svc. New Pc. No. w/Bracket	Vehicle Application	FLR10™ Pc. No.	Reman. Pc. No. Radar Only	Bracket Kit	Svc. New Pc. No. w/Bracket	Vehicle Application								
K046158	K070393	K063722 Side Bracket K063758 Bracket	K056488	Kenworth® T660 / T700	K048620	K070393	K051907 Base Bracket K094245 Bracket Assembly Kit	K057743	Peterbilt 587								
K050059					K050059												
K052401					K056701												
K053126					K057742												
K056487					K048639	K070393	not applicable	not applicable	Prevost®								
K050059	K070393	K057493 Base Bracket K094245 Bracket Assembly Kit	K057747	Kenworth T680	K053132	K070393	K094250 Bracket Assembly Kit	K056476	Volvo® VN								
K056700					K040236												
K056703					K051511												
K057746					K051131												
K050059	K070393	K094251 Bracket Assembly Kit	K057749	Kenworth T800	K056475	K070393	not applicable	not applicable	All service replacement radar only								
K053778					K036725												
K053784					K043644												
K057748					K050057												
K035749					K052406												
K036727	K070393	K043222 Adapter Bracket K094250 Bracket Assembly Kit	K056479	Mack® CXU; CHU	K056481	K070393	not applicable	not applicable	All service replacement radar only								
K040234					K057782												
K043283					K060164												
K051105					K067388												
K051410					K067884												
K056478																	
K043225					K070393					not applicable	not applicable	Navistar® ProStar®, LoneStar®		K070393	not applicable	not applicable	All service replacement radar only
K050056																	
K056480																	
K067883																	
K046158	K070393	K055673 Bracket	K056483	Peterbilt® 386		K070393	not applicable	not applicable	All service replacement radar only								
K050059																	
K053351																	
K053438																	
K055999																	
K056455																	
K056482																	
K050059	K070393	K057492 Base Bracket K094245 Bracket Assembly Kit	K057745	Peterbilt 579		K070393	not applicable	not applicable	All service replacement radar only								
K056699																	
K056702																	
K057744																	



Radar Sensor with Mounting Bracket (Peterbilt 587 / 579 Kenworth T680)



Radar Sensor with Mounting Bracket (Kenworth T800)



Bendix® FLR10™ Radar



Radar Sensor with Mounting Bracket - (Kenworth T660 / T700)



Radar Sensor with Mounting Bracket - (Peterbilt 386)



Bendix® Wingman® ACB Alignment Tools

K041451



K065284



Radar Sensor Cover K040237 (for use with Volvo Radar Sensors)



Radar Sensor with Mounting Bracket - (Volvo VN)



Radar Sensor with Mounting Bracket - (Mack)

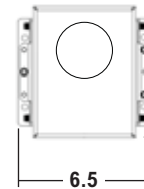
Bendix® Wingman® Operator's Manual BW2751 Available on www.bendix.com

Bendix™ VORAD® VS-400 Forward Looking Radar

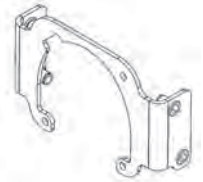
OE Pc. No.	Service New Pc. No.	Functionality			Bracket Type	Customers
		Collision Warning	SmartCruise®			
			Adaptive Cruise Control	Range Adjustable		
VSFR-002	VSFR-002N	Yes	-	-	None	Freightliner®
VSFR-002H						International®
K054325						International
VSFR-003	VSFR-003N	Yes	Yes	Yes	None	Freightliner
VSFR-003H						International
K054326						International
VSFR-005P	VSFR-005N	Yes	Yes	-	None	Kenworth®
VSFR-006	VSFR-006N	Yes	-	-	A	Volvo®
VSFR-008	VSFR-008N	Yes	Yes	-	A	Volvo
VSFR-011	VSFR-011N	Yes	-	-	B	Freightliner
VSFR-017	VSFR-017N	Yes	-	-	C	PACCAR®
VSFR-018	VSFR-018N	Yes	Yes	Yes	C	Peterbilt®



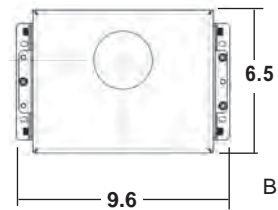
Bendix® VORAD® VS-400 Forward Looking Radar



A Bracket



C Bracket (Peterbilt)



B Bracket

Forward Looking Radar Driver Display

OE Pc. No.	Service New Pc. No.	Volume Adjustable	Customers
VSDI-001	K045093	Yes	Freightliner
VSDI-001P			Peterbilt
VSDI-001P2			Kenworth
VSDI-001V			Volvo
VSDI-003			International
K040748			International
K046159			Kenworth



Forward Radar Driver Display

AutoVue® Lane Departure Warning System (LDW) by Bendix CVS

OE Pc. No.	Service Pc. No.	Description
ECU		
493364001	493364001N	2G NA ECU (Freightliner Century and Columbia)
493364002	K070255	2G NA ECU (Freightliner Cascadia®)
493625001	K073590	3G NA ECU (Volvo® w/ Volvo engine, audio)
493625002	K073591	3G NA ECU (Volvo w/ non-Volvo engine, audio)
493625003	K073592	3G NA ECU (Volvo w/ Volvo engine, SafetyDirect® system by Bendix CVS w/ PeopleNet® telematics, audio)
493625004	K073593	3G NA ECU (Volvo w/ non-Volvo engine, SafetyDirect system by Bendix CVS w/ PeopleNet® telematics, audio)
493625005	K073594	3G NA ECU (Volvo / Volvo engine, SafetyDirect® system by Bendix CVS with Qualcomm® telematics, audio)
493625006	K073595	3G NA ECU (Volvo / non-Volvo engine, SafetyDirect® system by Bendix CVS with Qualcomm® telematics, audio)
493625007	K073596	3G NA ECU (Mack® Pinnacle® / Volvo engine, audio)
493625008	K073597	3G NA ECU (Mack Pinnacle / Volvo engine, haptic)
K068392	K069554	3G NA ECU - configuration is required
Camera		
493246502	K070256	2G NA Camera (24 inch)
493363501		
493554502	K069077	3G NA Camera (24 inch)
K068391		
493554504	K069079	3G NA Camera (15 feet)
K069056		
Bracket		
493398501	493398501N	2G EU Bracket
493081001	K070254	AutoVue® system standard bracket
493088201		
Cable		
493558701	K070257	3G NA cable - direct connect to Qualcomm telematics, MCP100 (10 feet)
493558801	K070258	3G NA cable - direct connect to Qualcomm telematics, MCP200 (10 feet)
493558901	K070259	3G NA cable - direct connect to Qualcomm telematics, MCP100 (17 feet)
493559301	K070260	3G NA cable - direct connect to Qualcomm telematics, MCP200 (17 feet)
493559401	K070261	3G NA cable - direct connect to PeopleNet systems (10 feet)
493559901	K072573	3G NA cable - PeopleNet®systems (17 feet)
493587501	K077488	3G NA cable - 2G to 3G retrofit
493556201	K079771	3G NA cable - speaker, RS-232
493556901	K079774	3G NA cable - haptic, RS-232
493231201	K082373	AutoVue cable - 20' truck harness
Miscellaneous		
1361139	K078657	AutoVue dash switch kit
K079385		
493081201	K079727	AutoVue bracket adhesive
0810437	K082368	AutoVue 3-1/2" flush speaker
0810438	K082369	AutoVue 3-1/2" speaker cover

Components for AutoVue by Bendix CVS



ECU



Dash Switch



Camera



Cable



Speaker

Speaker Cover

Bendix® BlindSpotter® Side Radar

OE Pc. No.	Service New Pc. No.	Customers
15671-001	15671-001N	Kenworth®
15671-001P		Kenworth, Peterbilt®
15671-001V		Volvo®, Mack®
VSSD-001		Freightliner®
VSSD-001H		Navistar®



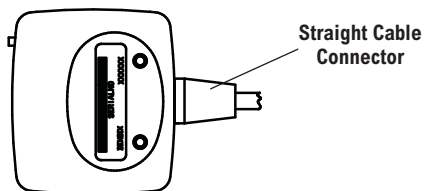
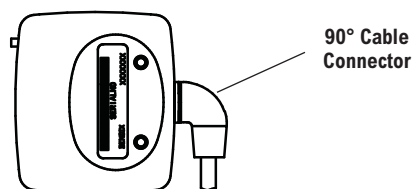
Side Radar

Bendix® BlindSpotter® Side Speaker

OE Pc. No.	Service New Pc. No.	Cable Connector	Customers
15670-001P1	15670-001N	Straight	Kenworth, Peterbilt
15670-001P2			Kenworth, Peterbilt
15670-001V			Volvo
VSSD-002			Freightliner
VSSD-003			Navistar
VSSD-004	VSSD-004N	90°	Freightliner



Side Speaker



SmarTire® Tire Pressure Monitoring Systems (TPMS) by Bendix CVS

- Retrofit Kits, Service Parts and Tools

SmarTire® Tire Pressure Monitoring System Retrofit Kits

Retrofit Kit Pc. No.	Description
108.1006	SmarTire® TPMS 6 Wheel Kit
108.1008	SmarTire TPMS 8 Wheel Kit (Coach)
108.1010	SmarTire TPMS 10 Wheel Kit
108.1206	SmarTire TPMS 6 Wheel Kit - Super Single
108.1204	SmarTire TPMS 4 Wheel Kit - Super Single

Service Parts

OE Pc. No.	Service New Pc. No.	Description
201.0007	201.0007N	Transmitter
264.0328	264.0328N	Transmitter Mounting Strap (up to a 22.5" wheel)
264.0332	264.0332N	Transmitter Mounting Strap (up to a 24.5" wheel)
200.0184	200.0184N	Receiver ECU
200.0179	200.0179N	Dash Display
240.0162	240.0162N	Antenna
269.0155	269.0155N	Wheel Rim Label
260.0309	260.0309N	System Harness
260.0232	260.0232N	40' Co-ax cable
260.0266	260.0266N	30' Co-ax cable
264.0318	264.0318N	Receiver ECU Mounting Bracket
264.0228	264.0228N	Transmitter Cradle - Standard
-	115.0003	Wheel End Sensor Kit for 22.5" Wheels
-	115.0004	Wheel End Sensor Kit for 24.5" Wheels



Components Shown Above Are Included In Retrofit Kits

Tools and Diagnostic Aids

Tool Pc. No.	Description
090.0011	SmarTire® Maintenance Tool
090.0021	SmarTire LF Tool
108.9003	SmarTire Diagnostic Cable



Diagnostic Tools

Service New Pc. No.	Description
Powered Vehicle Tools	
801869	Bendix® RDU - Remote Diagnostic Unit
801872	RDU adapter - J1587 (6 pin) to RDU adapter cable
802229	RDU adapter - J1939 (9 pin) to RDU adapter cable
K022055	Datalink Monitoring Unit
K041451	Bendix® Wingman® ACB Alignment Tool
090.0011	SmarTire® Maintenance Tool
090.0021	SmarTire LF Tool
Trailer Tools	
802162	Bendix® TRDU - Trailer Remote Diagnostic Unit
802165	TRDU adapter - 7 pin adapter
800790	J1587 (6 pin) trailer diagnostic cable
K044767	J1939/ J1587 (9 pin) trailer diagnostic cable
Software	
BW2329	ACom® PC Diagnostic Software (free download available from www.bendix.com , or order a CD from the Literature Center on www.bendix.com)



**Bendix® RDU
801869**



**RDU Adapter
801872**



**RDU Adapter
802229**



**DataLink™
Monitor
K022055**



**Bendix® Wingman® ACB
Alignment Tool
K041451 or K065284**



**Bendix® ACom® Diagnostic Software
BW2329 (visit www.bendix.com)**



**Maintenance Tool
090.0011**



**LF Tool
090.0021**



**Bendix® TRDU
802162**



**Diagnostic Cable
800790**



**TRDU Adapter
802165**

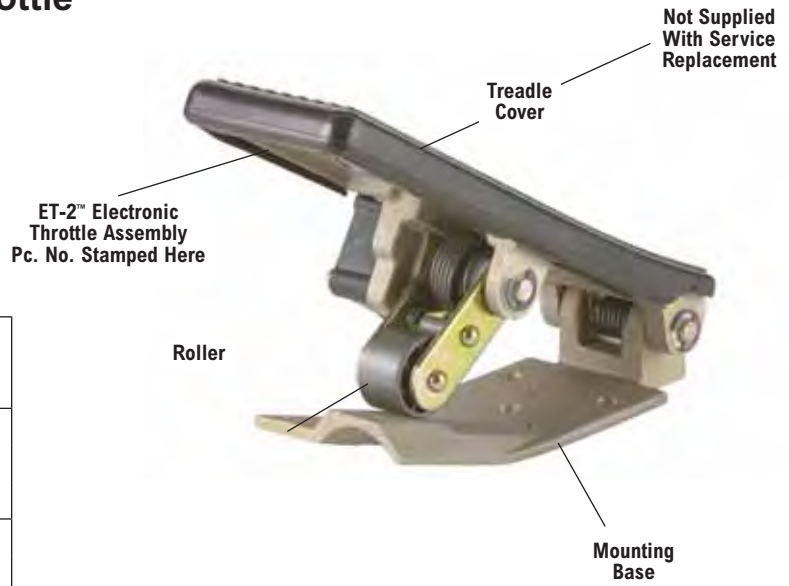


**Diagnostic Cable
K044767**

Bendix® ET-2™ Electronic Throttle

- Pivot Pin Kit 550392
- Lever Shaft Spring Kit 550393

V.M.R.S. No. 44-007-047

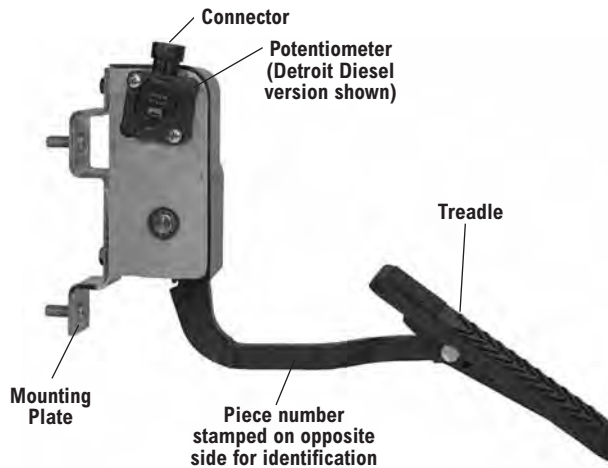


OE Pc. No.	Service New Pc. No.	Major Kit	Customer
550281	065320	550394	DDC
550546			
550604	065529		
550482	065381	550543	Cummins
5004022	800347		
5006301	800638	5006362	
5006302			
5006578			
550615	065483	550403	Caterpillar
5002574			
5009751			

Bendix® ET-S2™ Electronic Treadle

V.M.R.S. No. 44-007-047

Service New Pc. No.	Treadle & Spring Kit	Potentiometer Replacement Kit	Customer	
800606	5006085	5002356	Cummins	
800607		5006086	DDC	
800608		5010163		Caterpillar
K019453				





From the company you trust for your heavy-duty foundation brake needs, comes Formula Blue® brake parts, a complete line of light- and medium-duty hydraulic brake parts for import and domestic vehicles, class 1 – 6.



Brake Pads and Shoes

- Proven stopping performance
- Long service life
- Superior friction attachment
- Resistance to noise and kind to rotors

Formula Blue® medium-duty pads are available in both Heavy Duty grade – where maximum service life is essential – and Premium formulations, where quiet running is a must.



Calipers

- Includes remanufactured and service new versions
- Fits the broadest range of medium- and light-duty commercial vehicles
- Available in semi-loaded and loaded applications – to do the complete job right, the first time
- Superior quality control minimizes service related issues



Rotors & Drums

- Exact application fit and function
- Superior casting finish
- Smoother stops
- Reduced vibration
- Rust resistant finish



Brake & Clutch Hydraulics

- Exact form, fit and function is the key to Formula Blue® brake cylinders, master cylinders, and other key brake components, providing long, reliable service life



Hardware

- Formula Blue® brake hardware provides exact form, fit and function, ensuring quiet reliable operation

- **Comprehensive Coverage • Outstanding Value**
- **Prompt Delivery • Proven Sales & Service Support**
 - **Expert Technical Assistance**
 - **Full Electronic Cross Reference**

Refer to Formula Blue® Hydraulic Parts Catalog (BW7348) for a complete listing of hydraulic parts.



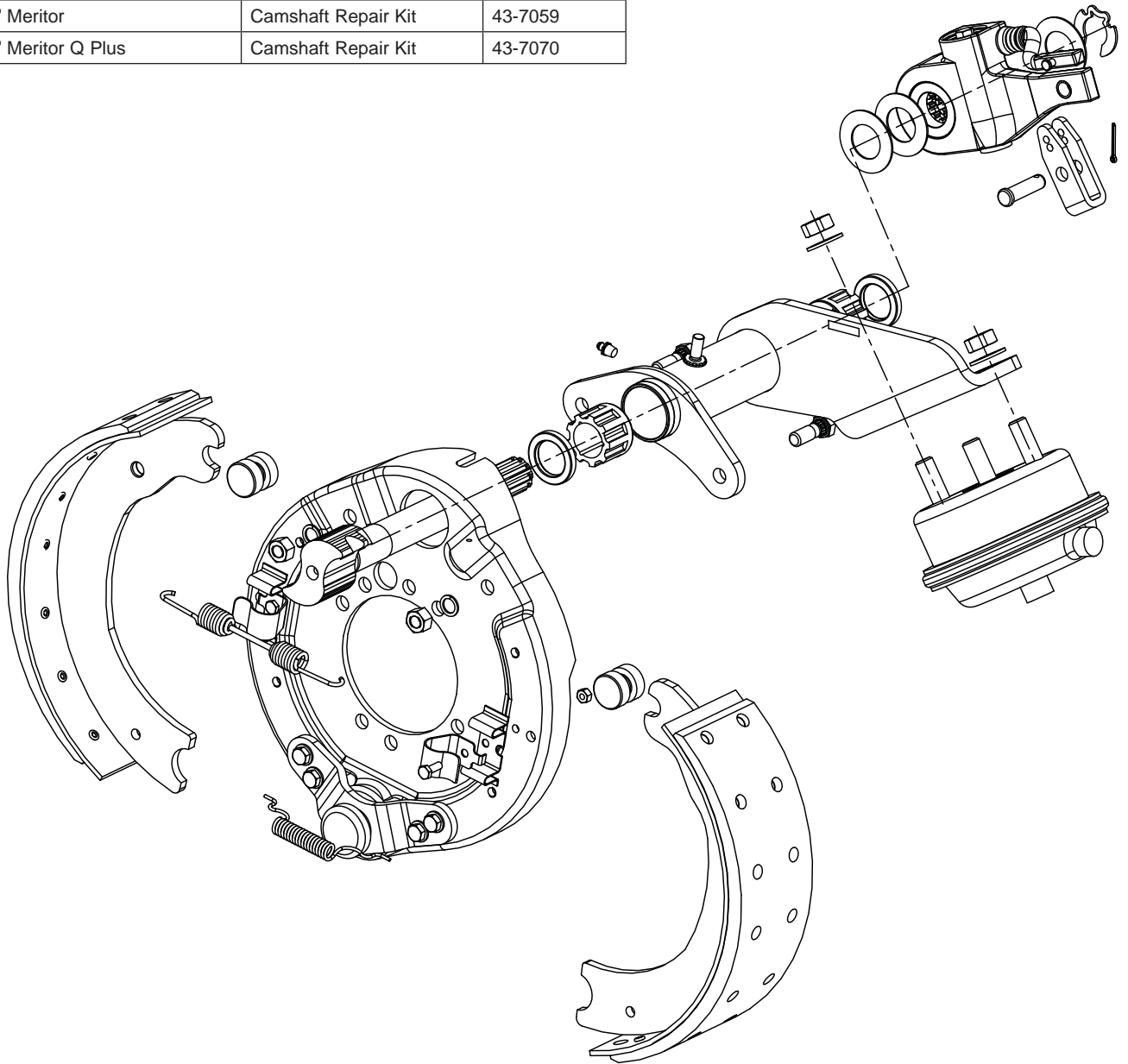
Formula Blue® and Bendix®-brand foundation brake products are brought to you by:

**Bendix Spicer
Foundation Brake LLC**
A Bendix CVS and Dana Joint Venture

Find out more. Talk to your Bendix representative, call 1-866-610-9709, or visit www.foundationbrakes.com.

Steer Axle Drum Brake

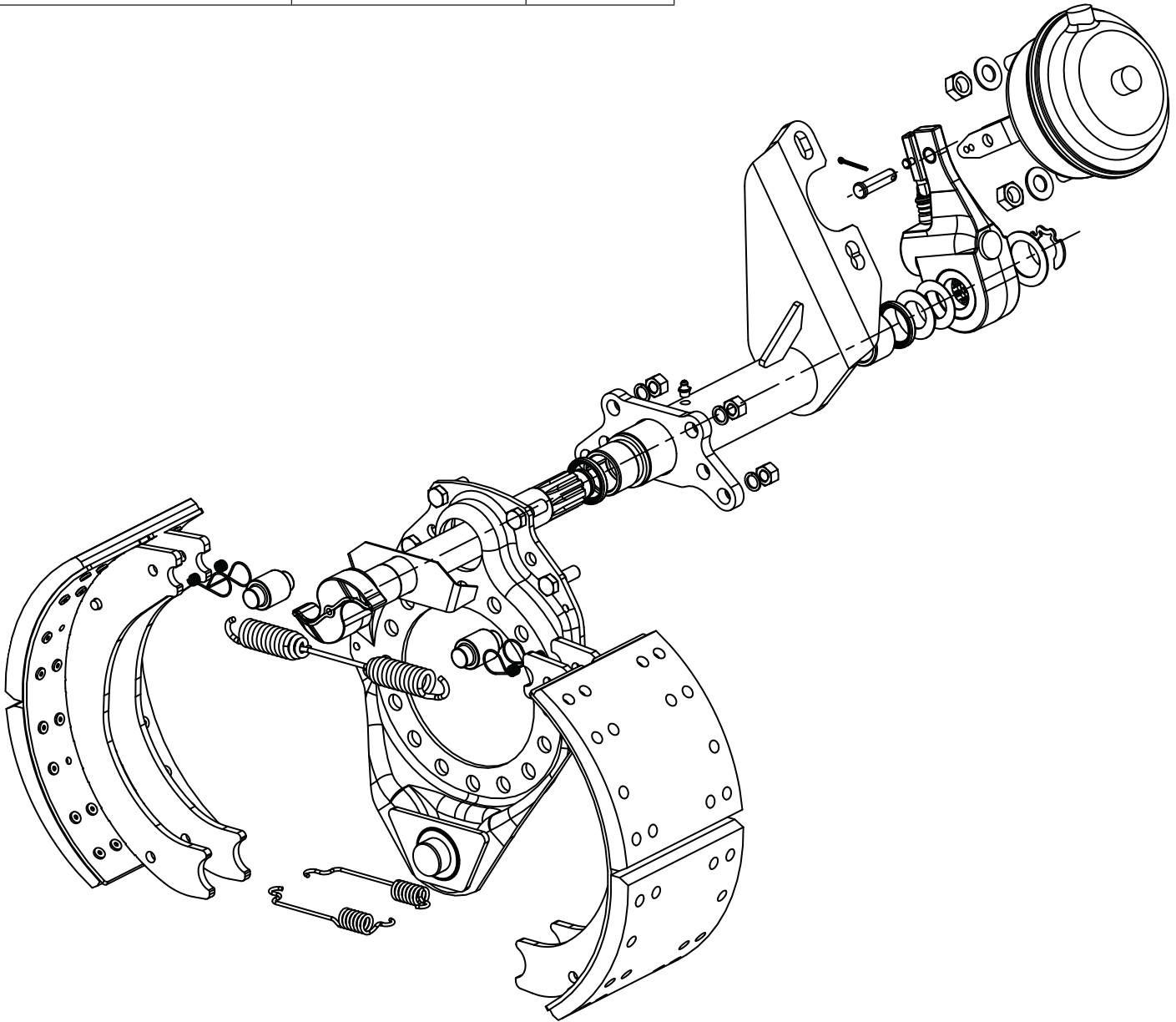
Application	Description	Piece Number
15"x4" Bendix®	Brake Hardware Kit	HK54
15"x4" Bendix Extended Service	Brake Hardware Kit	HK54
15"x4" Meritor®	Brake Hardware Kit	HK55
15"x4" Meritor Q Plus	Brake Hardware Kit	HK29XLS
15"x4" Bendix	Camshaft Repair Kit	43-7060
15"x4" Bendix Extended Service	Camshaft Repair Kit	43-7060
15"x4" Meritor	Camshaft Repair Kit	43-7059
15"x4" Meritor Q Plus	Camshaft Repair Kit	43-7070



*This catalog contains the most common components and kits. Many other applications and variations are available in the Bendix® product offering. For a complete listing see [Brake Shoe and Hardware](#) catalog **BW7248**. For Bendix® OEM Certified Friction Material refer to **BW7224**. For camshafts and overhaul kits see catalog **BW7240**.*

Drive Axle Drum Brake

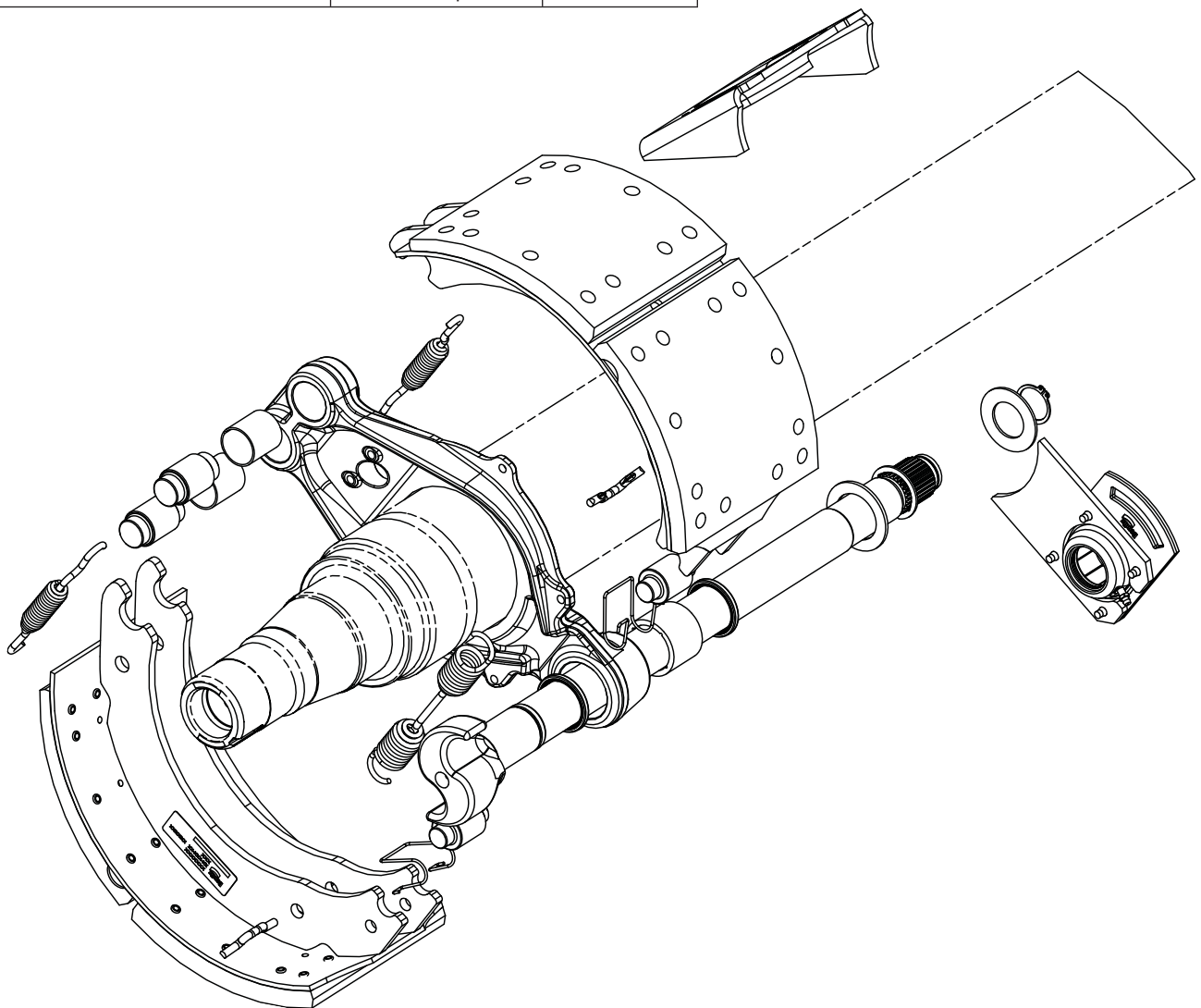
Application	Description	Piece Number
16.5" Dia. Bendix®	Brake Hardware Kit	HK24XLSHM
16.5" Dia. Bendix Extended Service	Brake Hardware Kit	HK61XLS
16.5" Dia. Meritor®	Brake Hardware Kit	HK29XLS
16.5" Dia. Meritor Q Plus	Brake Hardware Kit	HK29XLS
16.5" Dia. Bendix Extended Service	Camshaft Repair Kit	43-7069
16.5" Dia. Meritor Q Plus	Camshaft Repair Kit	43-7048



This catalog contains the most common components and kits. Many other applications and variations are available in the Bendix® product offering. For a complete listing see Brake Shoe and Hardware catalog BW7248. For Bendix® OEM Certified Friction Material refer to BW7224. For camshafts and overhaul kits see catalog BW7240.

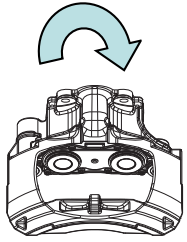
Trailer Axle Drum Brake

Application	Description	Piece Number
16.5" Dia. SAP Bendix®	Brake Hardware Kit	HK24XLSHM
16.5" Dia. SAP Bendix Extended Service	Brake Hardware Kit	HK61XLS
16.5" Dia. DAP Bendix	Brake Hardware Kit	HK29XLS
16.5" Dia. DAP Bendix Extended Service	Brake Hardware Kit	HK29XLS
16.5" Dia. Meritor®	Brake Hardware Kit	HK29XLS
16.5" Dia. Meritor Q Plus	Brake Hardware Kit	HK29XLS
16.5" Dia. ProPar	Brake Hardware Kit	HK34XLS
16.5" Dia. Bendix Extended Service	Camshaft Repair Kit	43-7118
16.5" Dia. Meritor Q Plus	Camshaft Repair Kit	43-7072
16.5" Dia. ProPar	Camshaft Repair Kit	43-7039



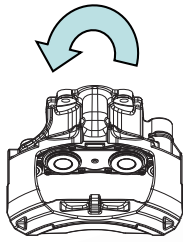
*This catalog contains the most common components and kits. Many other applications and variations are available in the Bendix® product offering. For a complete listing see [Brake Shoe and Hardware](#) catalog **BW7248**. For Bendix® OEM Certified Friction Material refer to **BW7224**. For camshafts and overhaul kits see catalog **BW7240**.*

Air Disc Brakes 23



Type A

Wheel Rotation
(typically right hand)

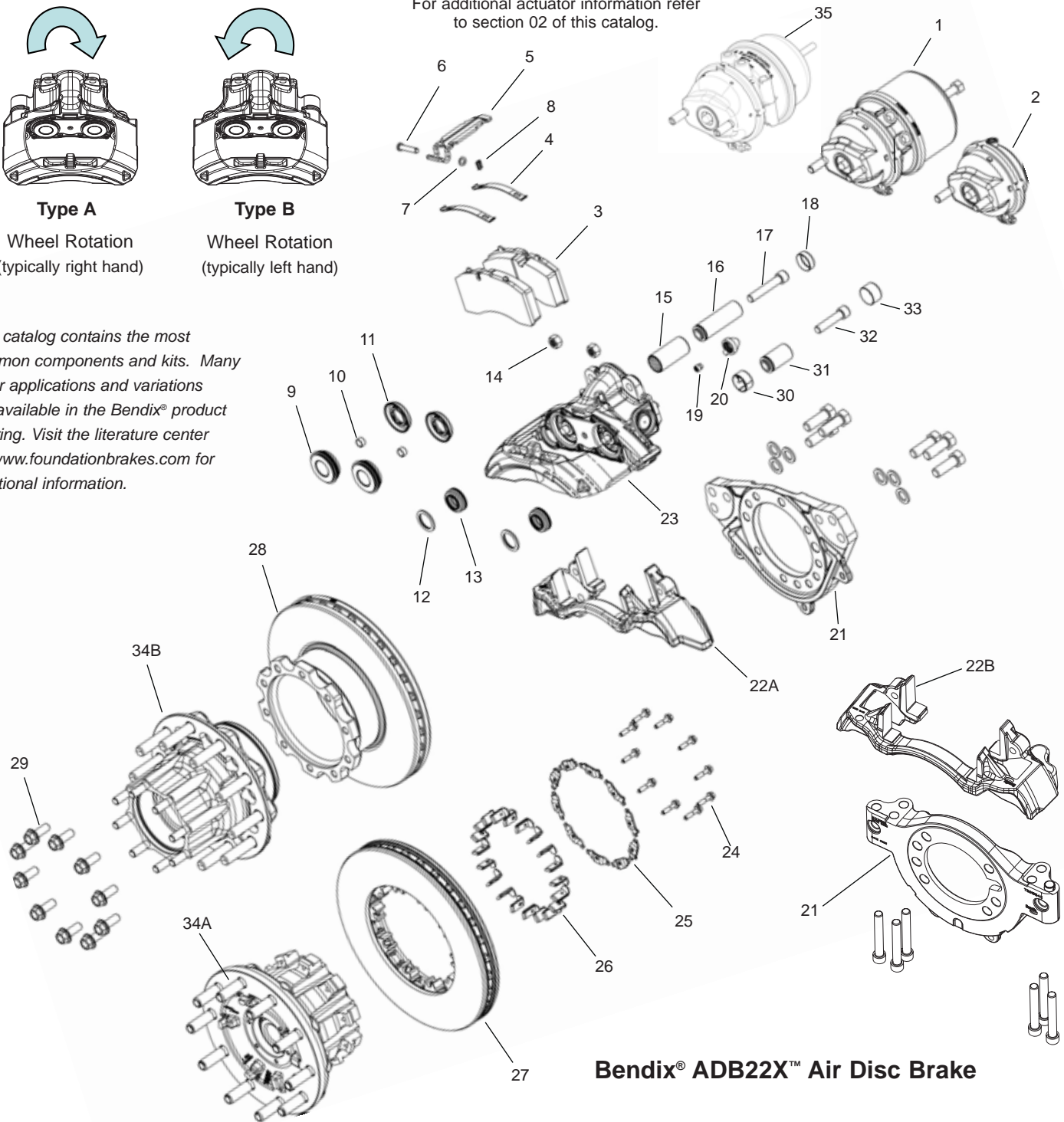


Type B

Wheel Rotation
(typically left hand)

For additional actuator information refer to section 02 of this catalog.

This catalog contains the most common components and kits. Many other applications and variations are available in the Bendix® product offering. Visit the literature center on www.foundationbrakes.com for additional information.



Bendix® ADB22X™ Air Disc Brake

Kit	Piece Number	Air Disc Brake					Components Included in Kit
		ADB22X™	ADB225™	SB-7™	SN-7™	SK-7™	
Pad Kit (axle set)	K070796	✓				✓	(3, 4, 5, 6, 7, 8, 19, 20)
	802593		✓				(3, 4, 5, 6, 7, 8, 19, 20)
	5013257			✓	✓		(3, 4, 5, 6, 7, 8, 19, 20)
Splint Kit (box of 25)	803151	✓	✓	✓	✓		(8)
Shear Adapter (box of 10)	802455	✓	✓		✓		(19)
Tappet/Boot Kit (wheel end kit)	K092079	✓	✓		✓	✓	(9, 10, 11)
	K010604			✓			(9, 10, 11)
Adjuster Cover (non-wear sensing - box of 10)	802643	✓	✓				(20)
	K003902					✓	(20)
	K000945			✓	✓		

Kit	Piece Number	Air Disc Brake					Components Included in Kit
		ADB22X™	ADB225™	SB-7™	SN-7™	SK-7™	
Guide Pin, Seal and Boot Kit (wheel end kit)	803114	✓					(12, 13, 15, 16, 17, 18, 30, 31, 32, 33)
	K001915		✓		✓		(12, 13, 15, 16, 17, 18, 30, 31, 32, 33) Rubber Bushing Retro. to Metallic Bushing
	K010766				✓		(12, 13, 15, 16, 17, 18, 30, 31, 32, 33) DU Bushing Kit
	K004100					✓	(12, 13, 15, 16, 17, 18, 30, 31, 32, 33)
	K048396K50			✓			(12, 13, 15, 16, 17, 18, 30, 31, 32, 33) See Service Data Sheet SD-23-7550 (BW2000) for Guide Pin Identification
	K048371K50			✓			
	II328090062			✓			
	II39769F0062			✓			
	II368470064			✓			(12, 13, 15, 16, 17, 18, 30, 31, 32, 33) Rubber Bushing Kit
Guide Pin Grease	II14525	✓	✓	✓	✓		White (5 grams)
	K021964	✓	✓	✓	✓		White (500 grams)
	K021963			✓			Green (8 grams)
	K021975			✓			Green (500 grams)
Service Actuator	K028039	✓					Bendix® Type 14 Universal (2, 14)
	K028226	✓					Bendix® Type 16 Universal (2, 14)
	K028022	✓	✓	✓	✓	✓	Bendix® Type 18 Universal (2, 14)
	K028225	✓	✓	✓	✓	✓	Bendix® Type 20 Universal (2, 14)
NG-3 Piston Style Spring Brake Chamber	K027557	✓					Bendix® Type 18/16 Piston Style Truck/Trailer Universal (1, 14)
	K025670	✓	✓	✓	✓	✓	Bendix® Type 18/24 Piston Style Truck/Trailer Universal (1, 14)
	K025669	✓	✓	✓	✓	✓	Bendix® Type 20/24 Piston Style Truck/Trailer Universal (1, 14)
Double Diaphragm Style Spring Brake Chamber	K026451	✓					Bendix® Type 18/24 Double Diaphragm Style Trailer Universal (1, 35)
Caliper-Carrier Assembly Includes 803114	K081142	✓					Steer and Drive Axial "A" (22A + 23)
	K081143	✓					Steer and Drive Axial "B" (22A + 23)
	802984	✓					Trailer Axial "A" (22A + 23)
	802985	✓					Trailer Axial "B" (22A + 23)
	K081256	✓					Steer and Drive Vertical "A" (22B + 23)
	K081257	✓					Steer and Drive Vertical "B" (22B + 23)
Caliper Kit (rationalized) Includes 803114	K081258	✓					Steer and Drive Axle "A" (23)
	K081259	✓					Steer and Drive Axle "B" (23)
	K019180	✓					Trailer Axle "A" (23)
	K019181	✓					Trailer Axle "B" (23)
Carrier Kit	K051853	✓					Steer and Drive Axle, Axial (12, 13, 17, 18, 19, 20, 22A, 32, 33)
	K043288	✓					Trailer Axle, Axial (12, 13, 17, 18, 19, 20, 22A, 32, 33)
	K056559	✓					Steer and Drive Axle, Vertical (12, 13, 17, 18, 19, 20, 22B, 32, 33)
Hubs	K020505	✓					Splined Disc® Brake - Aluminum - FF Steer, LMS Bearing Package (34A)
	803134	✓					Splined Disc® Brake - Aluminum - FL Steer, LMS Bearing Package (34A)
	802847	✓					Splined Disc® Brake - Aluminum - R Drive, LMS Bearing Package (34B)
	K020514	✓					Splined Disc® Brake - Aluminum - FF Steer, Standard Bearing Package* (34A)
	803138	✓					Splined Disc® Brake - Aluminum - FL Steer, Standard Bearing Package* (34A)
	802859	✓					Splined Disc® Brake - Aluminum - R Drive, Standard Bearing Package* (34B)
	K045298	✓					Splined Disc® - Aluminum - "TN" Trailer, Standard Bearing Package* (34B)
	K045297	✓					Splined Disc® - Aluminum - "TP" Trailer, Standard Bearing Package* (34B)
	See hub supplier for these standard hub products	✓	✓	✓	✓	✓	U-shaped - Iron/Aluminum, LMS/Standard Bearing Packages
	✓	✓	✓	✓	✓	Flat - Iron/Aluminum, LMS/Standard Bearing Packages	
Kit	Piece Number	Air Disc Brake					Components Included in Kit
		ADB22X™	ADB225™	SB-7™	SN-7™	SK-7™	
Splined Disc® Rotor Attaching Kit	K037767	✓					All Splined Disc® Rotor Applications (24, 25, 26)
Rotor	802081	✓	✓				138mm U-shaped (28, 29)
	802082	✓	✓				150mm U-shaped (28, 29)
	802083	✓					Severe-Duty Splined Disc Kit (24, 25, 26, 27)
	802569	✓					Heavy-Duty Splined Disc Kit (24, 25, 26, 27)
	K034497					✓	104.7mm Offset (28)
	802669				✓	✓	114.7mm Rotor U-shaped (28)
	K021958				✓	✓	131mm Rotor U-shaped (28)
	II37415N				✓	✓	136mm Rotor U-shaped (28)
K021959				✓	✓	179.7mm Rotor U-shaped (28)	
Shields	803129	✓					Trailer Axle Pad & Rotor Shield Kit
	803130	✓					Drive Axle Pad & Rotor Shield Kit
	802948	✓					Steer Axle Pad Shield Kit

* Universal Replacement with standard bearing configuration and long studs. Contact 1-800-AIR-BRAKE if identification assistance is required.



Now Showing

Bendix Online Brake School

www.brake-school.com

Featuring Training On:

- Air Dryers • Compressors • Disc and Drum Brakes
- Government Mandates • Valves • Vehicle Stability
- Emission Regulations • Tire Pressure Monitoring Systems
- Air Brake Training

The Bendix Online Brake School is your complete resource for electronic technical training. Featuring instructional videos and interactive modules, www.brake-school.com is home to e-training on a full range of Bendix products.

From tutorials on the SmarTire® Tire Pressure Monitoring System by Bendix CVS to how to identify a genuine Bendix® valve over a knock-off, brake-school.com is available 24 hours a day, 7 days a week, 365 days a year!

Log on today to begin your virtual training experience.



Get convenient, quick and easy access to the Bendix service and support areas you call most at **1-800-AIR-BRAKE (1-800-247-2725)**.

Here's the only number you need!
1-800-AIR-BRAKE (1-800-247-2725)

The name says it all.



1-800-AIR-BRAKE (1-800-247-2725)
Bendix Commercial Vehicle Systems LLC
www.bendix.com

1-800-AIR-BRAKE puts you in touch with a host of Bendix experts, including our seasoned technical support professionals, our customer service team, and even order assistance. Get answers to your warranty questions, learn about our latest air brake training schools and so much more. It's all right at your fingertips. Call us today!

Call **1-800-AIR-BRAKE** to reach Bendix Commercial Vehicle Systems LLC.

- Press 1 for Customer Service or to Place An Order
- 2 for Product Technical Assistance (Tech Team)
- 3 for Air Brake Training
- 4 for a list of Bendix Aftermarket Account Managers
- 5 for Ordering Product Literature
- 6 for bendix.biz Support Specialist
- 9 Repeat menu
- 0 for a Bendix Operator

Call **1-800-AIR-BRAKE (1-800-247-2725)** or visit us online at www.bendix.com

Trademarks

The ACOM, AD-2, AD-4, AD-9, ADB225, ADB22X, ADB22X-V, AD-IP, AD-IS, AD-SP, AF-3, ALWAYS ALERT, ASA-5, AT-3, AT-30, AT-6, ATR-1, ATR-3, ATR-6, AUTOBRAKE, AUTOVIEW, BA-921, BA-922, BACKSPOTTER, BASIC, BENDIX, BENDIX DESIGN, BLINDSPOTTER, BLUECHROME, BP-1, BP-R1, BR9235, BVA-85, BX-2150, BW IN A DIAMOND, BX DESIGN, C-1, C-3, C-5, C-6, CORELESS, D-2, D-2A, DATALINK, DC-1, DC-2, DC-3, DC-4, DD2, DD3, DRM, DS-1, DS-2, DURADRAIN, DURAFLO 596, DV-2, DYNAMARK DESIGN, E-10PR, E-10P, E-10R, E-10, E-12, E-14, E-15, E-2, E-3, E-6, E-7, E-8P, EC-16, EC-17, EC-30, EC-60, ECUTALK, ES BRAKES, ESP, ESR, ES, ET-2, ET-S2, EVERFLOW, E-Z-GRIP, FLEX, FLR10, FORMULA BLUE, HR-1, KNORR-BREMSE, LMS, LP-2, LP-3, LQ-1, LQ-2, LQ-4, LQ-5, M-30, M-32QR, M-32, MC-30, MV-2, MV-3, PAVE, PBS, PP-1, PP-2, PP-3, PP-5, PP-7, PP-8, PP-DC, PS-60, PR-2, PR-3, PR-4, PURAGUARD, QR-1, QR-1C, QRD-2, QR-L, QRN-2, QRN, QUADVISION, R-12, R-12DC, R-12P, R-14, R-1, R-1C, R-5, R-6, R-7, R-8P, R-8, RD-3, RE-6, RE-6NC, RSP, RV-1, RV-3, SAS-60, SafetyDirect SB-4, SB-7, SC-1, SC-2, SC-3, SC-PR, SD3, SDS-9600, SK-7, SL-3, SL-4, SL-5, SMART ATC, SMARTCRUISE, SMARTIRE, SMARTWAVE, SN-7, SPICER, SPLINED DISC, SR-1, SR-2, SR-4, SR-5, SR-7, SRC-7000, ST-3, ST-4, SURESTROKE, SV-1, SV-4, SYSTEM-GUARD, TABS-6, TC-2, TC-4, TC-6, TC-7, TCS-9000, TE-1, TH-3, TP-3, TP-3DC, TP-4, TP-5, TR-1, TR-2, TR-3, TR-4, TR-5, TRSP, TRUCK PRODUCTS DESIGN, TU-FLO, TW-11, TW-1, TW-2, TW-3, TW-4, TW-5, VORAD, WINGMAN, WS-20, WS-24, XVISION, YAS-60 and YAS-70X trademarks are licensed to or owned by Bendix Commercial Vehicle Systems LLC.

Any references in this catalog to ACERT, BERG, BLUEBIRD, CASCADIA, CAT, CATERPILLAR, CUMMINS, DDC, DETROIT DIESEL, DTNA, EQUINOX, FORD, FREEDOMLINE, GM, HOLSET, IHC, INTERNATIONAL, JOHN DEERE, KELSEY HAYES, KENWORTH, MACK, MERITOR, MIDLAND, NAVISTAR, OSHKOSH, PACCAR, PEOPLENET, PETERBILT, QUALLCOMM, SEALCO, VOLVO, WAGNER, and any other company or trademark are solely for identification and cross reference purposes. The trademarks are the property of their respective companies and are not affiliated with or endorsing Bendix Commercial Vehicle Systems LLC. Bendix Commercial Vehicle Systems LLC does not represent any parts shown as products manufactured or remanufactured by the companies so named herein.



Bendix Air Disc Brakes
Optimum Performance. Optimum Engineering.

Bendix has pulled out all the stops on this one.



Bendix®
ADB22X™
air disc brakes
– advanced
braking technology
from the Industry
Leader.



With all that we've designed into our **Bendix® ADB22X™** air disc brakes, it's no wonder they're the choice of leading OE's. They provide surer, safer stops. They require less maintenance, and last longer – twice the lining life, four times the rotor life, and they cut service time in half – all of which adds up to less truck downtime, and a healthy return on investment.

What's more, their braking feel is like that of a passenger car, with virtually no brake fade. Tough and reliable, they were tested on America's ultimate braking challenge – Colorado's I-70 west of the Eisenhower Tunnel. Over an 8-mile stretch on a 7% grade, there was no degradation in stopping power.

But then, this is the kind of advanced technology that so many have come to expect from Bendix. With over 19.2 million Bendix brakes in service worldwide, a full range of commercial vehicles ride with confidence. After 80 years of pioneering expertise and innovations, you know you can depend on us to safely lead the way.

Bendix® brand foundation brake
products are brought to you by:

**Bendix Spicer
Foundation Brake LLC**
A Bendix CVS and Dana Joint Venture

On-Line Bendix Literature Center At Your Service

Bendix announces exciting improvements to our on-line literature center, focused on making it easier for you to order Bendix literature. Our streamlined on-line ordering process is fast and easy to use, and puts the most up-to-date Bendix product and technical literature right at your fingertips 24/7.

All literature will be ordered directly from the on-line Bendix Literature Center . . . one complete source for all of your literature needs.

Sign-up takes just a few short minutes, offering you access to the documents you need to help sell or service Bendix products. Access our 24/7, on-line literature center rather than calling in orders to ensure accuracy, timeliness, and convenience.

To register or to access your existing account, visit www.bendix.com and click on the **“Visit the Bendix Marketing Center”** icon on the homepage, or use the link on www.foundationbrakes.com.

Service Data
Bendix AD-IS EverFlow™ Assembly
PURGE RESERVOIR, EVERFLOW™ ELECTRONIC MODULE, EVERFLOW™ MODULE, GOVERNOR, AD-IS™ EVERFLOW™ ASSEMBLY, AD-IS™ AIR DRIVER, RES GOVERNOR RESERVOIR (2), 21 PFR DELIVER TO PRIMARY RESERVOIR, DISCANTANT CARTRIDGE, MOUNTING HOLES - 4

Discover Bendix Trailer Products

Can't Get To Us? Bendix Brake Training Can Come To You.
We're hitting the road in 2011. Bendix Commercial Vehicle Systems LLC and Bendix Spicer Foundation Brakes LLC is now Training School in your U.S.-based facility. This's right. Bendix training comes to you!
Bendix provides the materials and the instructor, you provide the facility and the students. You don't need to pay for travel expenses and your training dollars stretch further. The more students that attend, the better they stretch.
The cost for each on-site, three-day school is \$3750, covering the first 15 students. Have more than 15? No problem. Each additional student can register for just \$300 per person - the same tuition cost as our remote training program. www.bendix.com

On-site training guidelines:
• The training room provided must be conducive to classroom learning (e.g. not on the shop floor).
• Classes can not exceed eight (8) hours per day. Sessions will be conducted between the hours of 6 a.m. - 6 p.m., Tuesday-Thursday.
• Reservations for on-site training must be made at least one month prior to the requested training date.
• Classes are subject to instructor availability.
• Air brake will not be used for demonstrations.

Troubleshooting Bendix ESP Stability System
Typical Tractor System Schematic with ESP® Stability
Typical Truck System Schematic

Back again for more spring brakes?
The problem: Broken Power Spring
The fix: Bendix® No Touch™ Technology
• Directly addresses the leading cause of spring brake failure
• Increases height between coils, helping to avoid damaging contact to the protective coating on
• Virtually eliminates coil clash

Bendix® EverSure™ Spring Brake with No Touch™ Technology can help keep your feet on the road, longer.

The result: Best-in-Class Durability
With No Touch™ Technology and an epoxy coated power spring, the Bendix® EverSure™ spring brake lasted twice as long as leading OEM competitors in power spring corrosion testing conducted by Bendix.
• Reduces the number of replacement spring brakes needed
• Saves time and money
Notice the impact of coil clash on competitive springs, at leading source of corrosion and spring brake failure.
Competitor A - 400 hours
Competitor B - 500 hours
Bendix® EverSure - 1000 hours.
EverSure shows little to no coil clash and is still intact, while competitor springs are broken.

Power Spring Comparison
Bendix® EverSure™ Spring Brake with No Touch™ Technology
Traditional 3050 Spring Brake
Avoid coil clash with EverSure. When coils have contact, the protective coating wears away, allowing rust to form.

TRUCKS AND TRUCK TRACTORS:
• Chassis
• Primary
• Secondary
• Push
• Clutch
• Parking
• Controller



Sometimes
the Right
Touch is
No Touch™

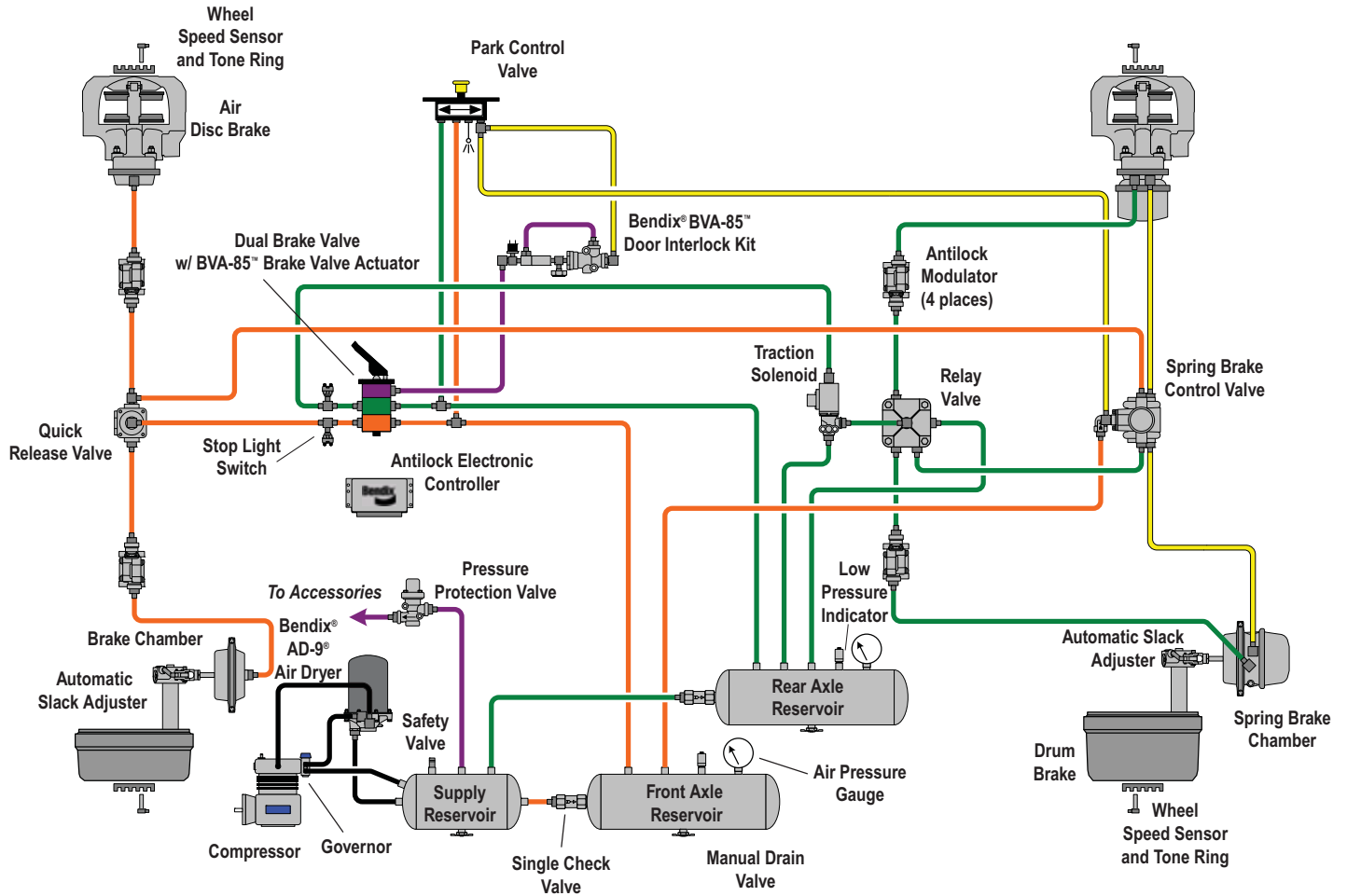
Bendix

EVERSURE®

The Bendix® EverSure® Spring Brake with No Touch™ Technology
Innovative. Weight optimized. Corrosion resistant. Longer lasting design.



Typical School Bus Air System Schematic with a Bendix® AD-9® Air Dryer

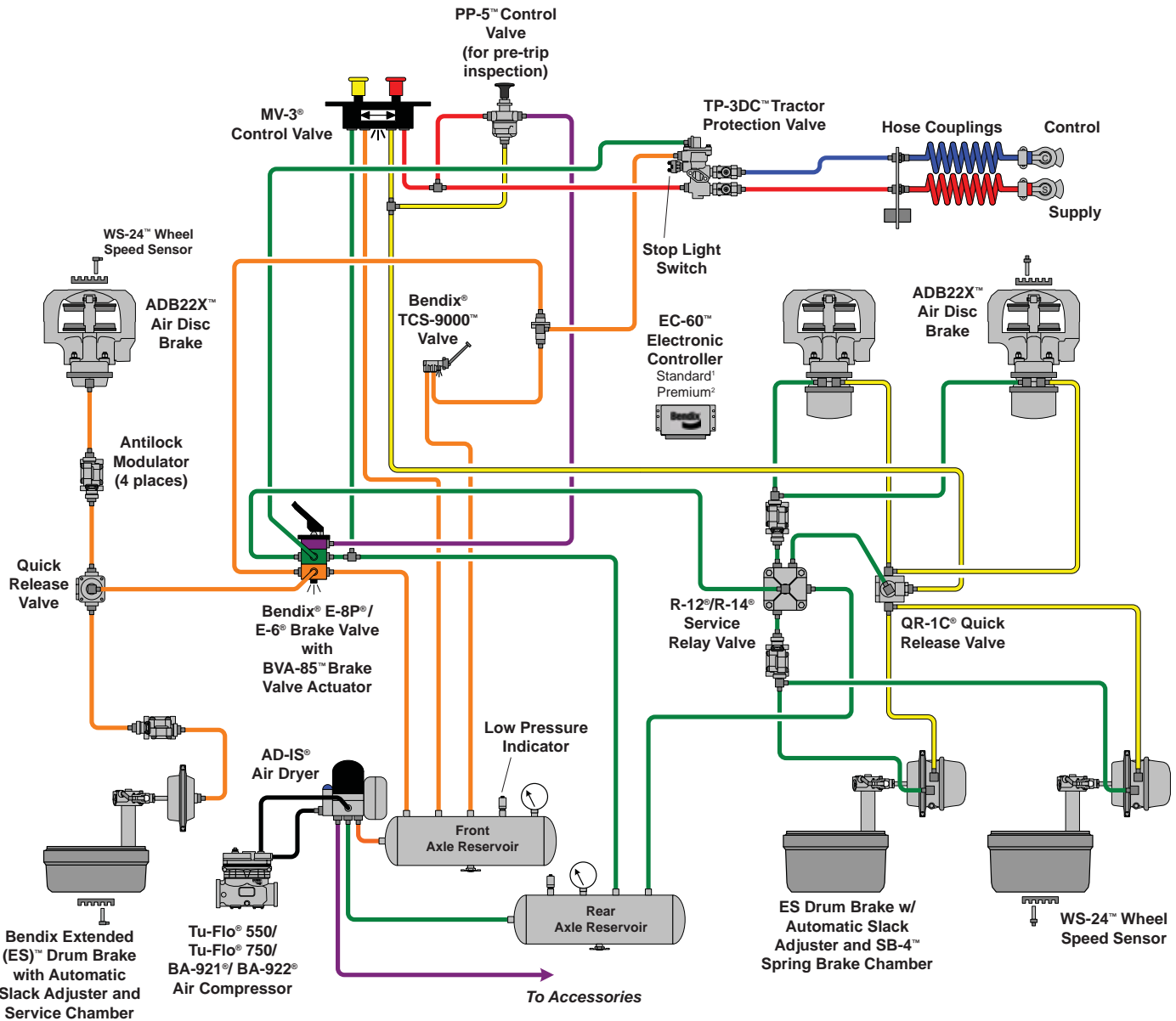


Notes:

The color coding of the brake system schematic follows TMC Recommended Practice #423. Air disc & drum brake actuation combined on a single axle are shown for pictorial purposes only.

SCHOOL BUS:				
Charging	Primary	Secondary	Parking (Control)	Accessories

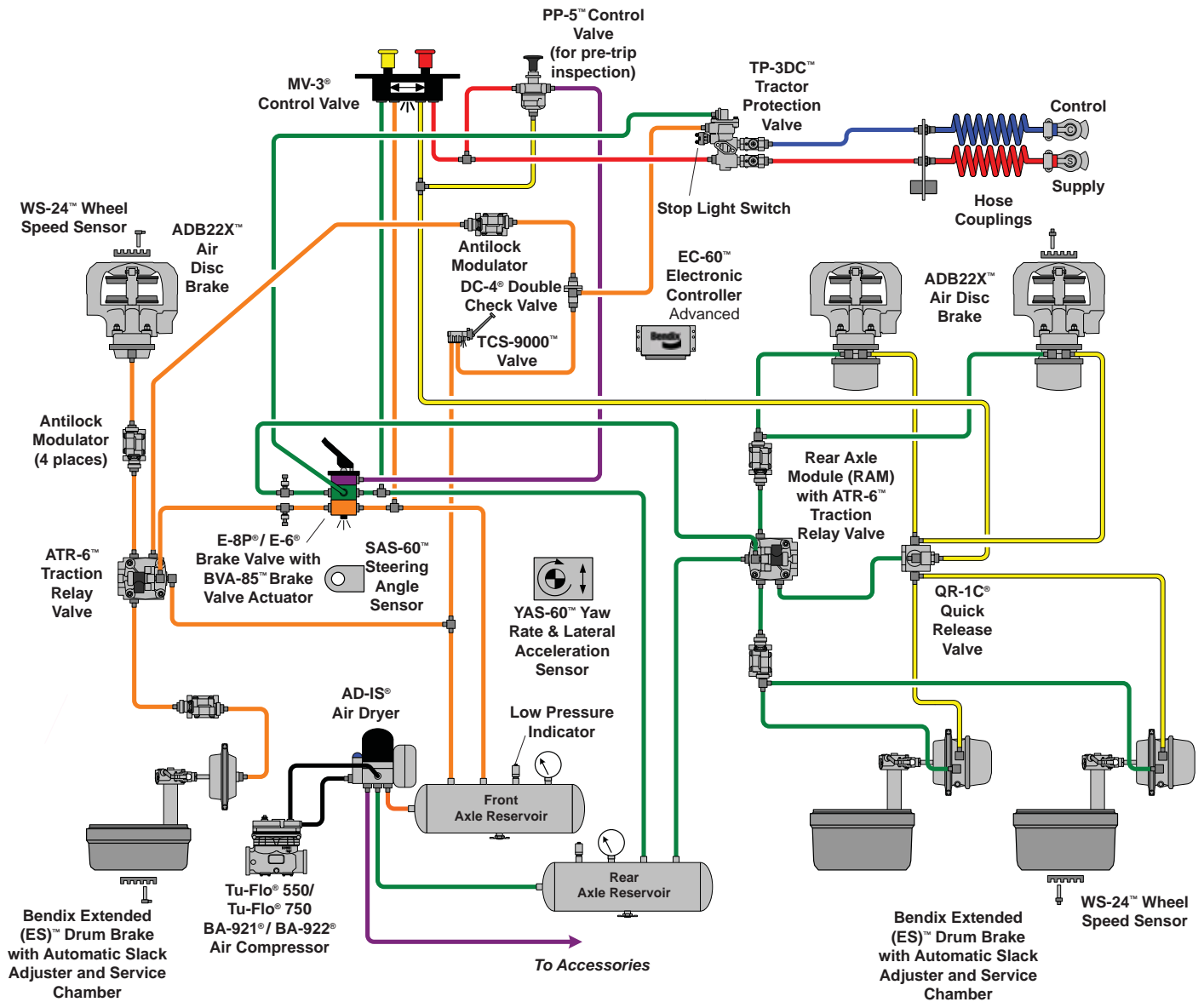
Typical Tractor System Schematic



Notes:
 The color coding of the brake system schematic follows TMC Recommended Practice #423.
 Air disc & drum brake actuation combined on a single axle are shown for pictorial purposes only.
 ¹ Equipped with standard Bendix® ABS Antilock Brake System
 ² Equipped with Bendix® ABS and Smart ATC™ Traction Control

TRUCKS AND TRUCK TRACTORS:					
■ Charging	■ Primary	■ Secondary	■ Park (Supply)	■ Parking (Control)	■ Accessories

Typical Tractor System Schematic with Bendix® ESP® Full Stability

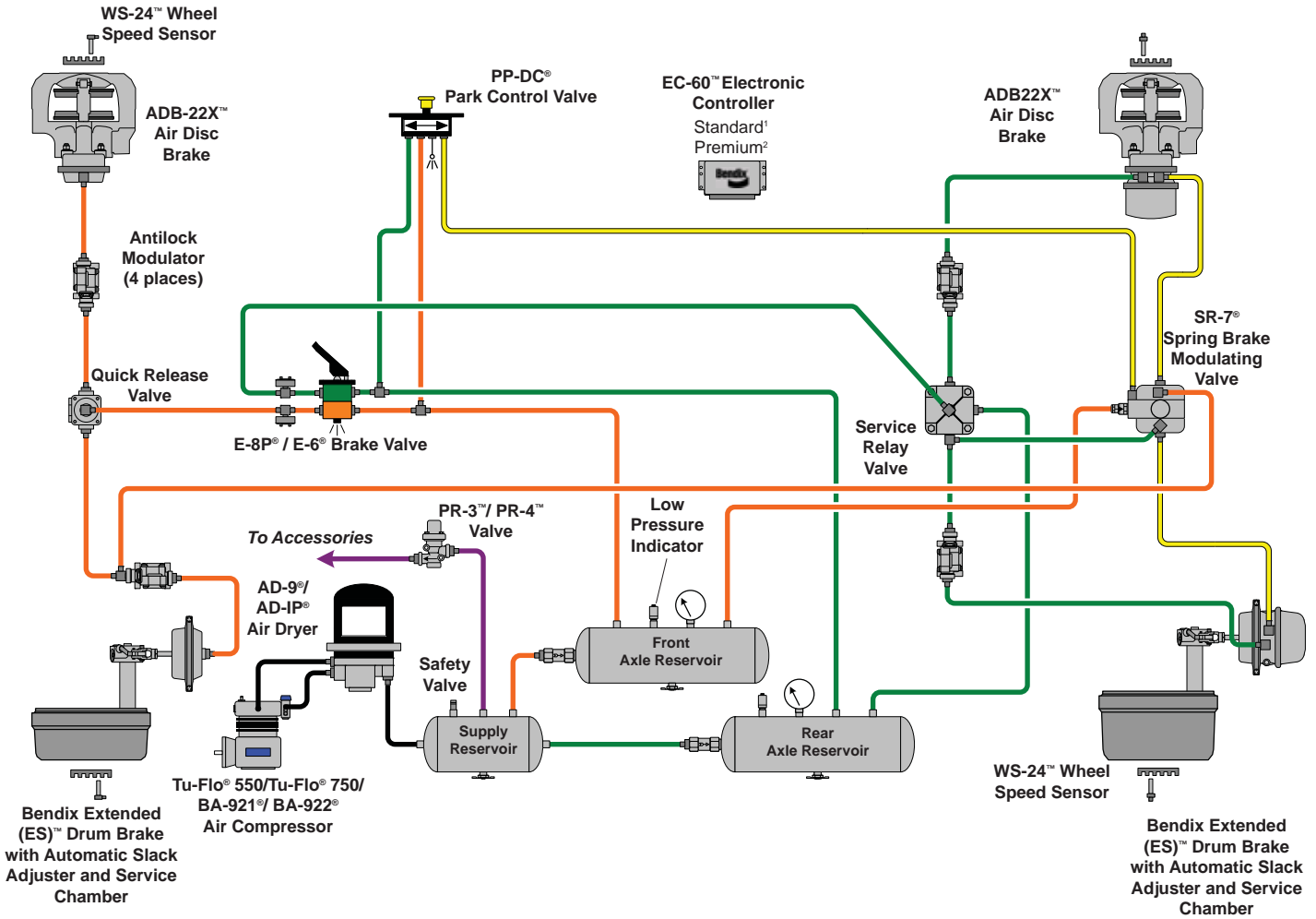


Notes:

The color coding of the brake system schematic follows TMC Recommended Practice #423.
Air disc & drum brake actuation combined on a single axle are shown for pictorial purposes only.

TRUCKS AND TRUCK TRACTORS:					
 Charging	 Primary	 Secondary	 Park (Supply)	 Parking (Control)	 Accessories

Typical Truck System Schematic

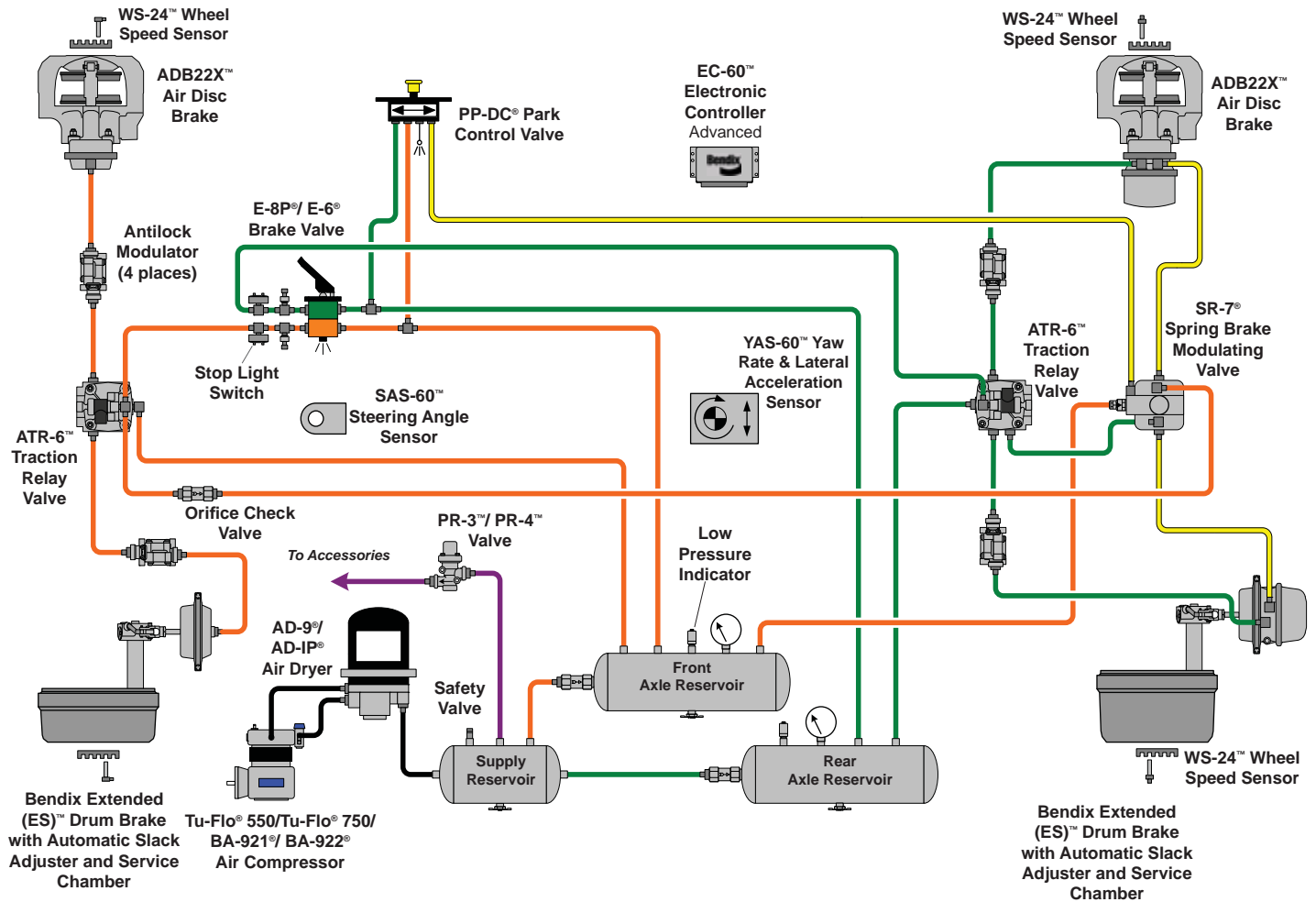


Notes:

The color coding of the brake system schematic follows TMC Recommended Practice #423.
 Air disc & drum brake actuation combined on a single axle are shown for pictorial purposes only.
¹ Equipped with standard Bendix® ABS Antilock Brake System
² Equipped with Bendix® ABS and Smart ATC™ Traction Control

TRUCKS AND TRUCK TRACTORS:					
 Charging	 Primary	 Secondary	 Park (Supply)	 Parking (Control)	 Accessories

Typical Truck System Schematic with Bendix® ESP® Full Stability

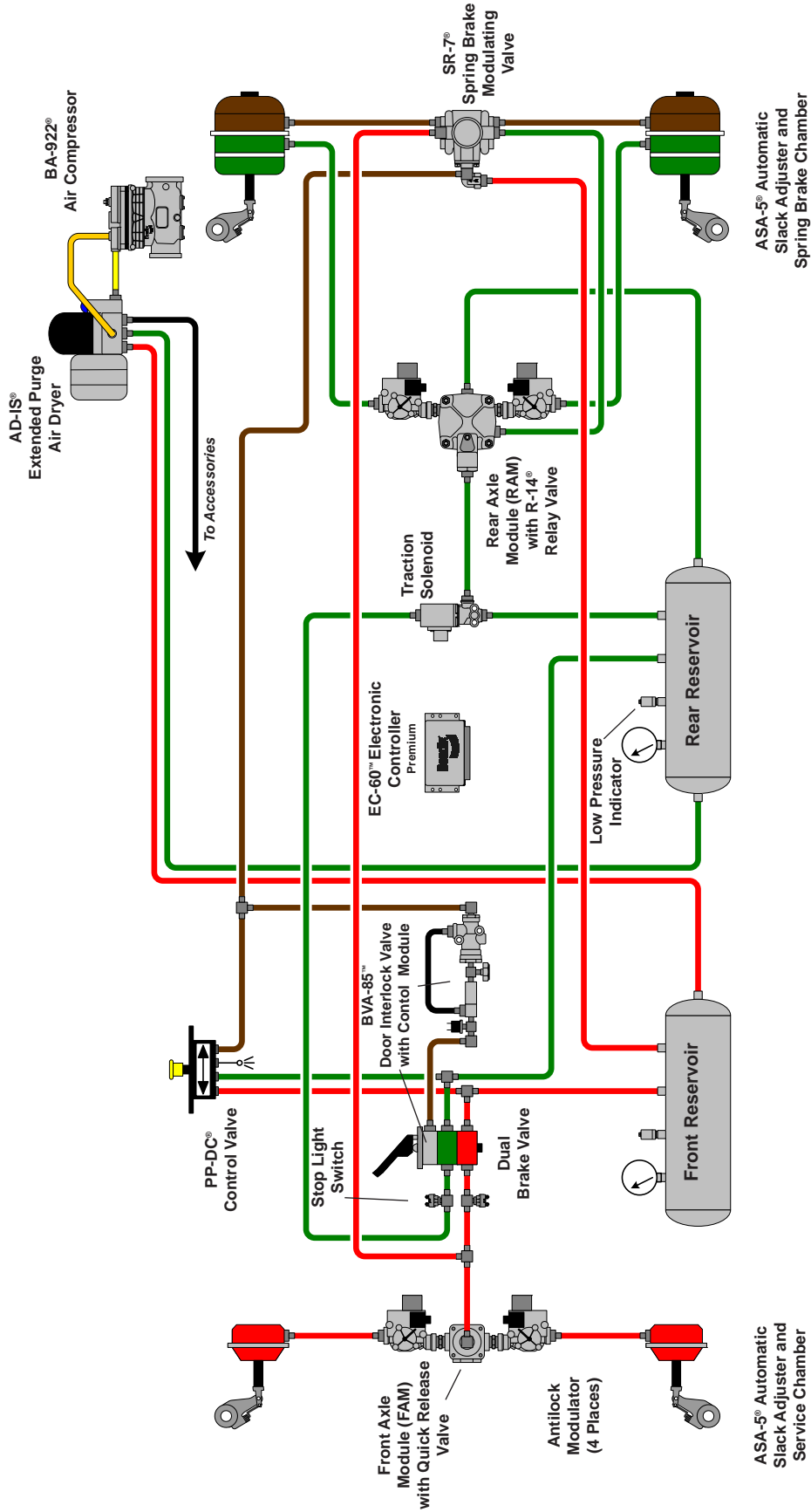


Notes:

The color coding of the brake system schematic follows TMC Recommended Practice #423.
Air disc & drum brake actuation combined on a single axle are shown for pictorial purposes only.

TRUCKS AND TRUCK TRACTORS:					
Charging	Primary	Secondary	Park (Supply)	Parking (Control)	Accessories

Typical Coach Bus Air System Schematic

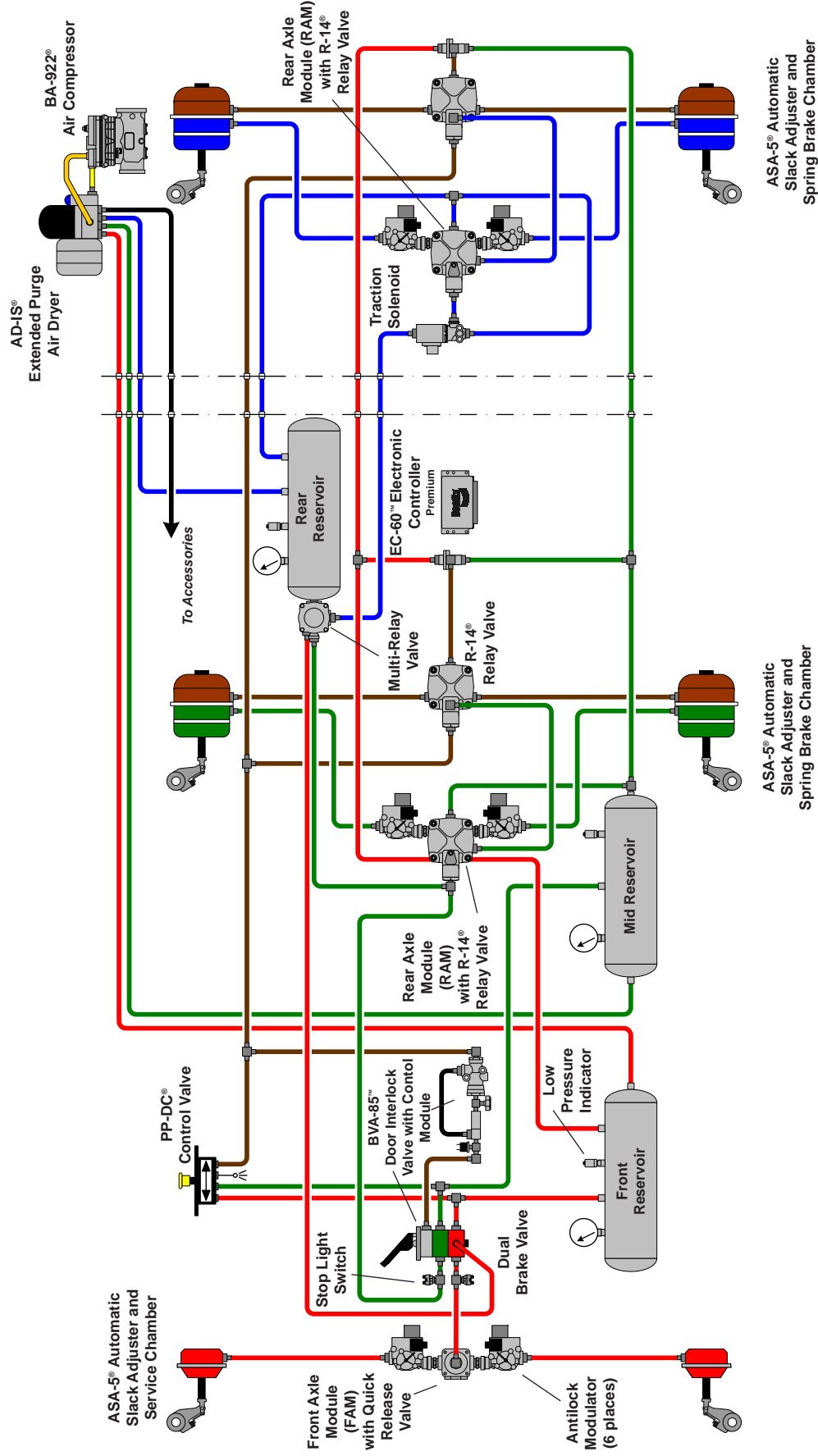


COACH:

Primary & Supply	Secondary	Parking	Compressor Governor	Accessories
------------------	-----------	---------	---------------------	-------------

Notes:
 The color coding of the brake system schematic follows APTA Recommended Practice.
 Air disc & drum brake actuation combined on a single axle are shown for pictorial purposes only.

Typical Articulated Coach Bus Air System Schematic

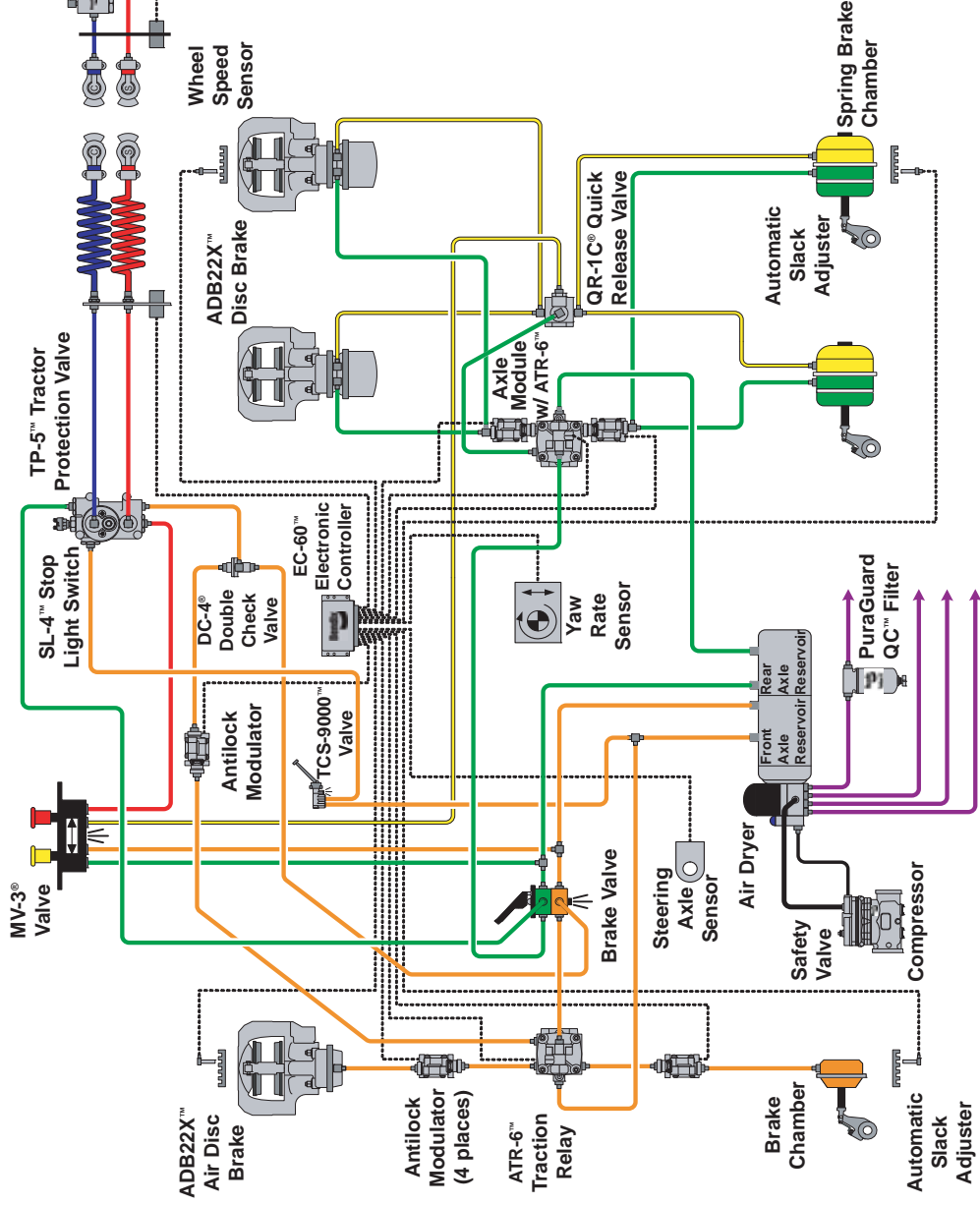


COACH:

	Primary & Supply
	Articulated Circuit
	Secondary
	Parking
	Compressor Governor
	Accessories

Notes:
 The color coding of the brake system schematic follows APTA Recommended Practice.
 Air disc & drum brake actuation combined on a single axle are shown for pictorial purposes only.

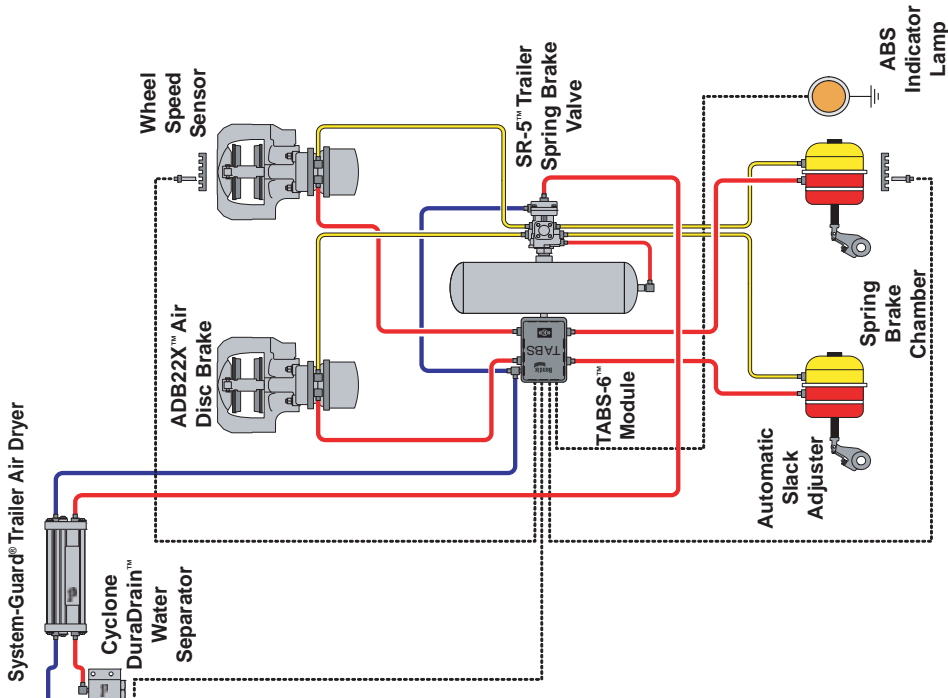
Typical Tractor System



----- Indicates electrical connection

Air disc & drum brakes combined on a single axle are shown for pictorial purposes only.

Typical Trailer System



TRUCKS AND TRUCK TRACTORS:

- Charging
- Primary
- Secondary
- Park (Supply)
- Parking (Control)
- Accessories

TRAILERS:

- Trailer (Supply)
- Trailer (Control)
- Trailer (Park)

*Bendix® brand air and hydraulic
brake products are brought to you by:*

**Bendix Commercial
Vehicle Systems LLC**

*Bendix®, Formula Blue®, and select Spicer® brand
foundation brake products are brought to you by:*

**Bendix Spicer
Foundation Brake LLC**
A Bendix CVS and Dana Joint Venture

Service Plants

Huntington

1850 Riverfork Drive West
Huntington, IN 46750
260.356.9720

Bowling Green

346 Central Avenue
Bowling Green, KY 42101
270.783.5000

Acuña

100 Jessica Lane
Del Rio, TX 78840
(01152877) 773-05-04

Vancouver

Suite 150
13151 Vanier Place
Richmond, British Columbia
Canada V6V 2J1
604.276.9884

Distribution Centers

Huntington

1850 Riverfork Drive West
Huntington, IN 46750
260.356.9720

Mexico City

Rio Lerma #108 ext. 2
Fracc. Ind. Tlaxcolpan
Tlalnepantla
Edo. de Mex.
54030
011 52 (55) 16 65 90 40

Montreal

8851 4e Croissant
Anjou, Quebec
H1J 1A9
514.323.0303

Sparks

1095 Spice Island Drive
Suite 101
Sparks, NV 89431
775.353.4255